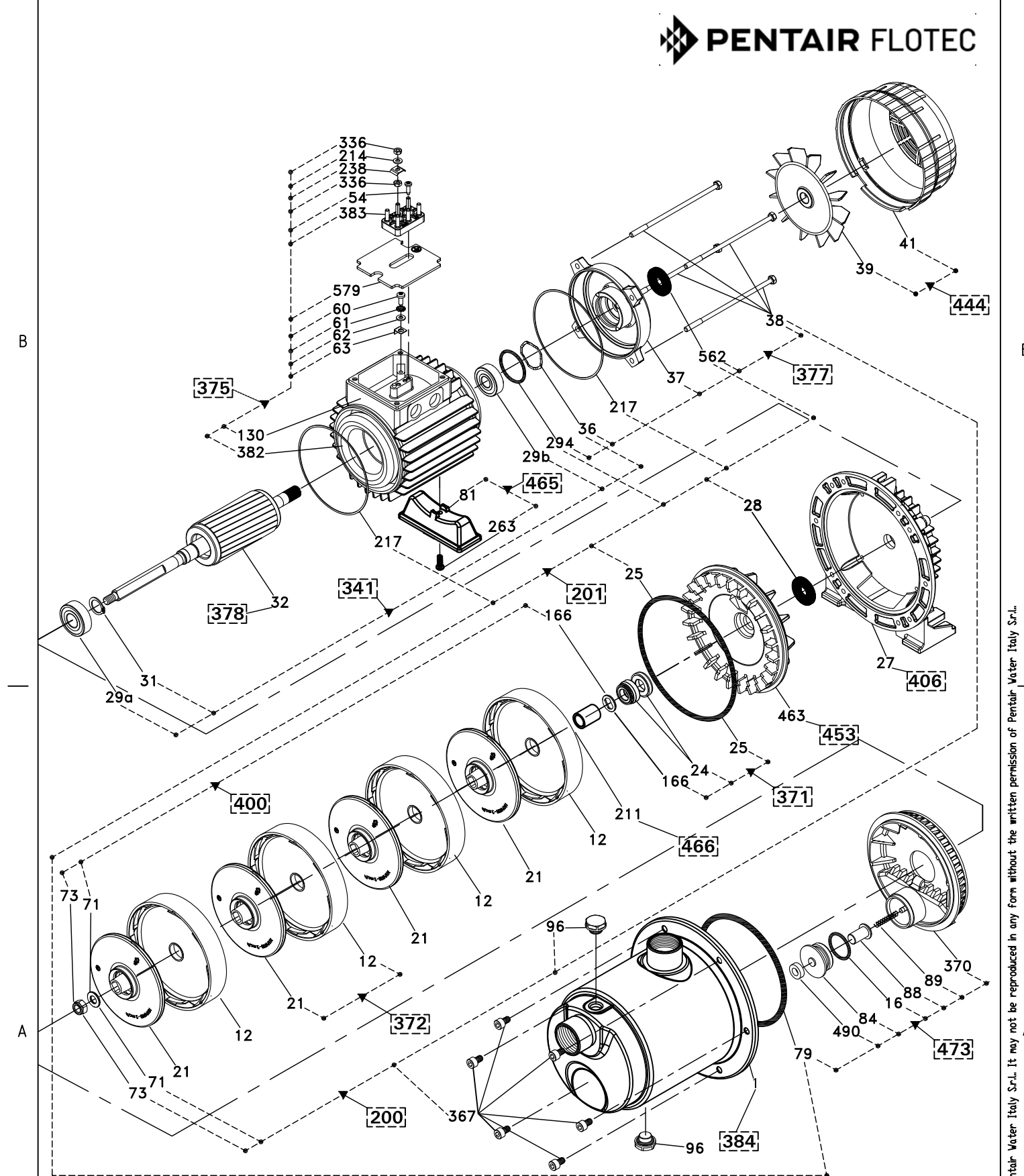


PENTAIR FLOTEC	Pentair Water Italy S.r.l. Via Masaccio,13 56010 Lugnano (PI) ITALY	Drawn M.Di Nasso	Title EVOTRONIC 350		Sheet 1 of 2
		Approved M.Bernacca	Date (dd/mm/yy) 23-03-2016	Dwg # DR160001_01	

This drawing is the absolute property of Pentair Water Italy S.r.l. It may not be reproduced in any form without the written permission of Pentair Water Italy S.r.l.



PENTAIR FLOTEC	Pentair Water Italy S.r.l. Via Masaccio,13 56010 Lugnano (PI) ITALY	Drawn M.Di Nasso	Title EVOTRONIC 350		Sheet 2 of 2
		Approved M.Bernacca	Date (dd/mm/yy) 23-03-2016	Dwg # DR160001_01	

This drawing is the absolute property of Pentair Water Italy S.r.l. It may not be reproduced in any form without the written permission of Pentair Water Italy S.r.l.