

# HYDROBLASTER 2.5

<b>EN</b> Original Instructions	<b>1</b>	<b>IT</b> Manuale d'uso	<b>99</b>
<b>DE</b> Bedienungs und wartungsanleitung	<b>25</b>	<b>RU</b> Руководство по эксплуатации	<b>123</b>
<b>FR</b> Notice d'utilisation	<b>51</b>	<b>PL</b> Instrukcja obsługi	<b>147</b>
<b>ES</b> Manual del usuario	<b>75</b>	<b>PT</b> Manual do proprietário	<b>171</b>

<b>IT Dichiarazione di conformità</b>	<b>PT Declaração de conformidade</b>	<b>PL Deklaracja zgodności</b>
<b>EN Declaration of conformity</b>	<b>DA Ef overensstemmelseserklæring</b>	<b>RO Declarație ce de conformitate</b>
<b>FR Déclaration de Conformité</b>	<b>FI Eu-vaatimustenmukaisuusvakuutus</b>	<b>HU Európai unió's megfelelési nyilatkozat</b>
<b>DE Konformitätserklärung</b>	<b>NO Samsvarserklæring</b>	<b>CS Prohlášení es o shodě</b>
<b>ES Declaración de conformidad</b>	<b>SV Tillkännagivande om eu-överensstämmelse</b>	<b>TR At uygunluk bildirisi</b>
<b>NL Conformiteitsverklaring</b>	<b>EL Δήλωση προσαρμογής εοκ</b>	<b>RU Декларация о соответствии ес</b>

IT - Direttive - Norme armonizzate  
 EN - Directives - Harmonised standards  
 FR - Directives - Normes harmonisées  
 DE - Richtlinien - Harmonisierte Normen  
 ES - Directivas - Normas armonizadas  
 NL - Richtlijnen - Geharmoniseerde normen

PT - Directivas - Normas harmonizadas  
 DA - Direktiver - Harmoniserede standarder  
 FI - Direktiivit - Harmonisoidut standardit  
 NO - Direktiver - harmoniserte standarder  
 SV - Harmoniserade direktiv/standarder  
 EL - Οδηγίες - Εναρμονισμένα πρότυπα

PL - Dyrektywy - Normy zharmonizowane  
 RO - Directive - Standarde armonizate  
 HU - Irányelvek - Harmonizált szabványok  
 CS - Směrnice - harmonizované normy  
 TR - Direktifler - Uyumlaştırılmış standartlar  
 RU - Директивы - гармонизированные нормы

**DIRECTIVES:**

2006/42/EC  
 2004/108/EC  
 2000/14/EC

**HARMONIZED STANDARDS:**

EN 292-1U.2  
 Annex V 2000/14/EC  
 EN ISO 14982

**14**

Pentair International Sarl - Avenue de Sévelin 18 - 1004 Lausanne - Suisse

IT - Noi dichiariamo sotto la nostra esclusiva responsabilità che il prodotto è conforme alle direttive citate.  
 EN - We hereby declare, under our sole responsibility, that the product is in accordance with the specified Directives.  
 FR - Nous déclarons sous notre propre responsabilité que le produit répond aux directives.  
 DE - Wir erklären in alleiniger Verantwortung, dass das Produkt den aufgeführten Richtlinien entspricht.  
 ES - Por la presente declaramos bajo nuestra responsabilidad exclusiva que el producto es conforme con las Directivas citadas.  
 NL - Wij verklaren geheel onder eigen verantwoordelijkheid dat het product voldoet aan de gestelde richtlijnen.  
 PT - Declaramos sob a nossa exclusiva responsabilidade que o produto é conforme com as directivas citadas.  
 DA - Vi erklærer hermed, som eneste ansvarlige, at produktet er i overensstemmelse med de anførte Direktiver.  
 FI - Vakuutamme yksinomaissella vastuullamme, että tuote on osoitettujen direktiivien mukainen.  
 NO - Vi erklærer hermed, under vårt hele og fulle ansvar, at produktet samsvarer med de spesifiserte direktivene.  
 SV - Vi försäkrar under eget ansvar att produkten är i överensstämmelse med nämnda direktiv.  
 EL - Με αποκλειστική ευθύνη δηλώνουμε ότι το προϊόν συμμορφώνεται με τις αναφερόμενες οδηγίες.  
 PL - Z pełną odpowiedzialnością oświadczamy, że produkt odpowiada postanowieniom wymienionych dyrektyw.  
 HU - Noi declaram pe propria noastră răspundere că produsul este conform cu directivele menționate.  
 CS - Prohlášíme na svou vlastní výhradní odpovědnost, že tento výrobek vyhovuje požadavkům uvedených směrnic.  
 TR - Ürünün ilgili direktiflere uygunluğunu, bu konuda sorumluluğun yalnızca tarafımızta olduğunu beyan ederiz.  
 RU - Заявляем под свою исключительную ответственность, что продукция соответствует указанным директивам

**ART.**

**HYDROBLASTER 2.5 HP**

IT Altri documenti normativi **EN** Other normative documents **FR** Autres documents normatifs **DE** Weitere normative Dokumente **ES** Otros documentos normativos **NL** Overige normatieve documenten **PT** Outros documentos normativos **DA** Andre normative dokumenter **FI** Muut normatiiviset asiakirjat **NO** Andre normative dokumenter **SV** Övriga standardiserande dokument **EL** Άλλα κανονιστικά έγγραφα **PL** Pozostała dokumentacja normatywna **RO** Alte documente normative **HU** Egyéb normatív dokumentumok **CS** Další normativní dokumenty **TR** Standartlarla ilgili diğer belgeler **RU** Прочие нормативные документы:

**EN 60335-2-4:EN 60335-2-41:2003/A2:2010**  
**EN 60034-30:2014**

**Electric motors:**  
**Commission Regulation No 640/2009**  
**Applies only to three-phase See motor nameplate**

**Commission Regulation No 547/2012**  
**Applies only to water pumps marked with the minimum efficiency index MEI. See pump nameplate.**

IT Persona abilitata per la documentazione tecnica **EN** Authorized person for technical documentation **FR** Personne autorisée à la documentation technique **DE** Bevollmächtigter für technische Dokumentation **ES** Persona habilitada para la documentación técnica **NL** Bevoegd persoon voor technische documentatie **PT** Pessoa habilitada para a documentação técnica **DA** Person autoriseret til udarbejdelse af den tekniske dokumentation **FI** Teknisten asiakirjojen laadintaan valtuutettu henkilö **NO** Person kvalifisert for teknisk dokumentasjon **SV** Person som är behörig att ställa samman den tekniska dokumentationen **EL** Αρμόδιος καταρτισμένος σχετικά με την τεχνική τεκμηρίωση **PL** Osoba upoważniona do sporządzenia dokumentacji technicznej **RO** Persoana autorizată pentru documentația tehnică **HU** A műszaki dokumentáció elkészítésére jogosult személy **CS** Osoba odborně způsobilá ke zpracování technické dokumentace **TR** Teknik dokümantasyon konusunda yetkili kişi **RU** Лицо, имеющее право на составление технической документации:

Pentair International S.a.r.l.  
 Avenue de Sevelin, 18  
 1004 Lausanne, Switzerland



Guillaume Goussé  
 European Operations Vice President  
 Lausanne, 04-01-2018

# SUMMARY

CHAPTER	DESCRIPTION	PAGE
1	INFORMATION	1
2	COMPONENT	3
3	CONTROLS	4
4	CHECK BEFORE OPERATION	6
5	OPERATION	7
6	MAINTENANCE	11
7	STORAGE/ TRANSPORTING	17
8	TROUBLESHOOTING	20
9	TECHNICAL & CONSUMER INFORMATION	20
10	SPECIFICATIONS	22
11	ENGINE TYPE WITH OIL ALERT AND WITHOUT ELECTRIC STARTING	23

## CHAPTER 1 INFORMATION

Thank you for purchasing a water pump. The information and specifications included in this publication were in effect at the time of approval for printing. No part of this publication may be reproduced without written permission. This manual should be considered a permanent part of the pump and should remain with the pump if it is resold. The illustrations in this manual are based in: Hydroblaster 2.5 HP The illustration may vary according to the type. Keep this owner's manual handy, so you can refer to it at any time. This owner's manual is considered a permanent part of the water pump and should remain with the water pump if resold. If a problem should arise, or if you have any questions about the pump, consult you authorized dealer. Your safety and the safety of others are very important. And using this water pump safely is an important responsibility. To help you make informed decisions about safety, we have provided operating procedures and other information on labels and in this manual. This information alerts you to potential hazards that could hurt you or others. Of course, it is not practical or possible to warn you about all the hazards associated with operating or maintaining a water pump. You must use your own good judgment. You will find important safety information in a variety of forms, including: Safety Labels on the pump. Safety Messages preceded by a safety alert symbol and one of three signal words, DANGER, WARNING, or CAUTION. These signal words mean: You WILL be KILLED or SERIOUSLY HURT if you don't follow instructions. You CAN be KILLED or SERIOUSLY HURT if you don't follow instructions. You CAN be HURT if you don't follow instructions. Your pump or other property could be damaged if you don't follow instructions. Safety Headings such as IMPORTANT SAFETY INFORMATION. Safety Section such as PUMP SAFETY. Instructions how to use this pump correctly and safely. This entire book is filled with important safety information, please read it carefully.

## **IMPORTANT SAFETY INFORMATION**

The pumps are designed to pump only water that is not intended for human consumption, and other uses can result in injury to the operator or damage to the pump and other property. Always make a pre-operation inspection before you start the engine. You may prevent an accident or equipment damage. Most accidents can be prevented if you follow all instructions in this manual and on the pump. The most common hazards are discussed below, along with the best way to protect yourself and others.

## **OPERATOR RESPONSIBILITY**

It is the operator's responsibility to provide the necessary safeguards to protect people and property. Know how to stop the pump quickly in case of emergency. If you leave the pump for any reason, always turn the engine off. Understand the use of all controls and connections. Be sure that anyone who operates the pump receives proper instruction. Do not let children operate the pump. Keep children and pets away from the area of operation.

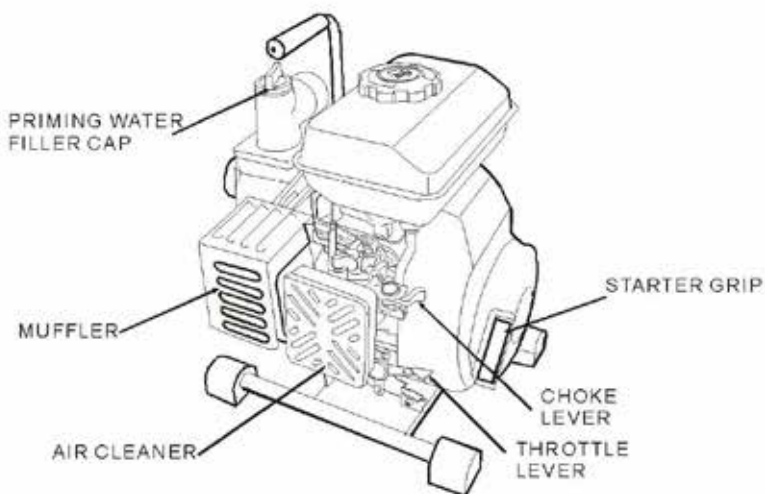
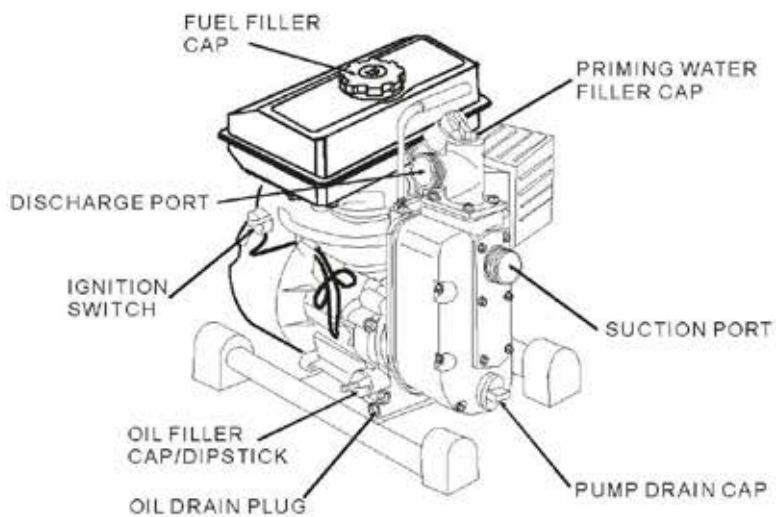
**Pump Operation** Pump only water that is not intended for human consumption. Pumping flammable liquids, such as gasoline or fuel oils, can result in a fire or explosion, causing serious injury. Pumping sea water, beverages, acids, chemical solutions, or any other liquid that promotes corrosion can damage the pump. Refuel With Care Gasoline is extremely flammable, and gasoline vapor can explode. Refuel outdoors, in a well-ventilated area, with the engine stopped and the pump on a level surface. Do not fill the fuel tank above the fuel strainer shoulder. Never smoke near gasoline, and keep other flames and sparks away. Always store gasoline in an approved container. Make sure that any spilled fuel has been wiped up before starting the engine. After refueling, make sure the tank cap closed properly and securely.

**Hot Exhaust** The muffler becomes very hot during operation and remains hot for a while after stopping the engine. Be careful not to touch the muffler while it is hot. Let the engine cool before transporting the pump or storing it indoors. To prevent fire hazards, keep the pump at least 3 feet (1 meter) away from building walls and other equipment during operation. Do not place flammable objects close to the engine.

**Carbon Monoxide Hazard** Exhaust gas contains poisonous carbon monoxide. Avoid inhalation of exhaust gas. Never run the engine in a closed garage or confined area.

## CHAPTER 2 COMPONENT

---



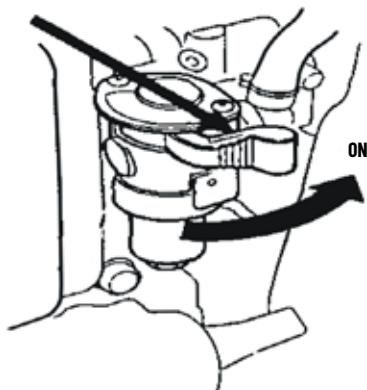
## CHAPTER 3 CONTROLS

---

### FUEL VALVE LEVER

The fuel valve opens and closes the passage between the fuel tank and the carburetor. The fuel valve lever must be in the ON position for the engine to run. When the engine is not in use, leave the fuel valve lever in the OFF position to prevent carburetor flooding and to reduce the possibility of fuel leakage.

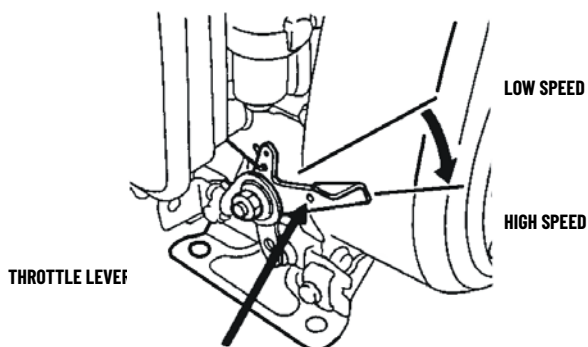
#### FUEL VALVE



### THROTTLE LEVER

The throttle lever controls engine speed.

Moving the throttle lever in the directions shown makes the engine run faster or slower.

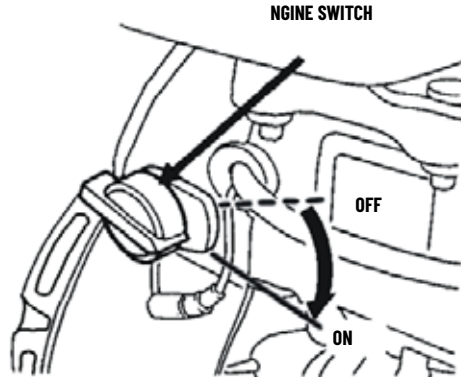


### ENGINE SWITCH

The engine switch enables and disables the ignition system.

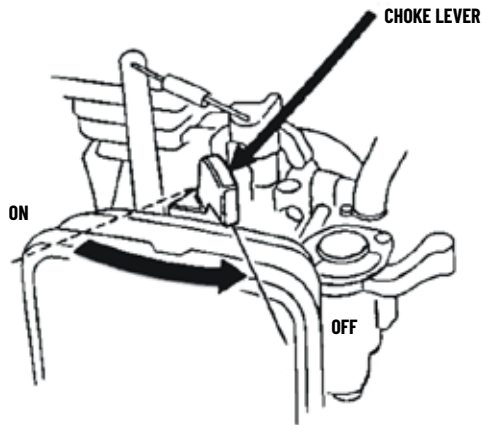
The engine switch must be in the ON position for the engine to run.

Turning the engine switch to the OFF position stops the engine.



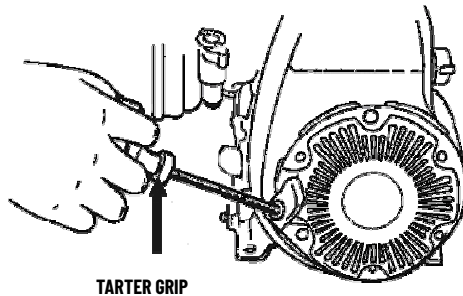
### CHOKE LEVER

The choke lever opens and closes the choke valve in the carburetor. The CLOSE position enriches the fuel mixture for starting a cold engine. The OPEN position provides the correct fuel mixture for operation after starting, and for restarting a warm engine. Some engine applications use a remotely-mounted choke control rather than the engine-mounted choke lever shown here.



### RECOIL STARTER GRIP

Pulling the starter grip operates the recoil starter to crank the engine.



## CHAPTER 4

### CHECK BEFORE OPERATION

---

#### IS YOUR ENGINE READY TO GO?

For your safety, and to maximize the service life of your equipment, it is very important to take a few moments before you operate the engine to check its condition. Be sure to take care of any problem you find, or have your servicing dealer correct it, before you operate the engine.



#### WARNING

Improperly maintaining this engine, or failure to correct a problem before operation, could cause a malfunction in which you could be seriously injured. Always perform a preoperation inspection before each operation, and correct any problem.

Before beginning your preoperation checks, be sure the engine is level and the engine switch is in the OFF position.

#### CHECK THE GENERAL CONDITION OF THE ENGINE

Look around and underneath the engine for signs of oil or gasoline leaks.

Remove any excessive dirt or debris, especially around the muffler and recoil starter.

Look for signs of damage.

Check that all shields and covers are in place, and all nuts, bolts, and screws are tightened.

#### CHECK THE ENGINE

Check the engine oil level. Running the engine with a low oil level can cause engine damage. The Oil Alert system (applicable engine types) will automatically stop the engine before the oil level falls below safe limits. However, to avoid the inconvenience of an unexpected shutdown, always check the engine oil level before startup. Check the air filter. A dirty air filter will restrict air flow to the carburetor, reducing engine performance. Check the fuel level. Starting with a full tank will help to eliminate or reduce operating interruptions for refueling.

#### CHECK THE EQUIPMENT POWERED BY THIS ENGINE

Review the instructions provided with the equipment powered by this engine for any precautions and procedures that should be followed before engine startup.



## CHAPTER 5 OPERATION

---

### SAFE OPERATING PRECAUTIONS

Before operating the engine for the first time, please review the IMPORTANT SAFETY INFORMATION and the chapter titled BEFORE OPERATION.



#### WARNING

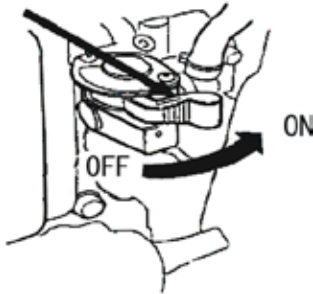
Carbon monoxide gas is toxic. Breathing it can cause unconsciousness and even kill you. Avoid any areas or actions that expose you to carbon monoxide.

Review the instructions provided with the equipment powered by this engine for any safety precautions that should be observed in conjunction with engine startup, shutdown, or operation.

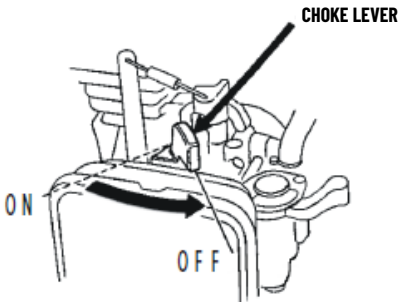
### STARTING THE ENGINE

1. Move the fuel valve lever to the ON position.

#### FUEL VALVE

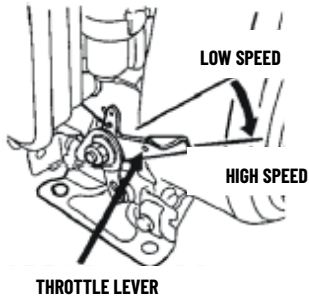


2. To start a cold engine, move the choke lever to the CLOSE position. To restart a warm engine, leave the choke lever in the OPEN position. Some engine applications use a remotely-mounted choke control rather than the engine-mounted choke lever shown here.

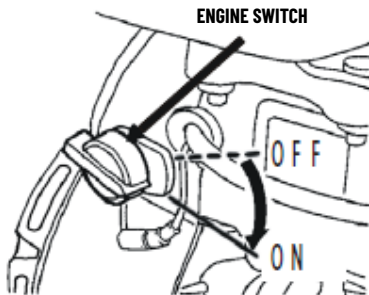


3. Move the throttle lever away from the SLOW position, about 1/3 of the way toward the FAST position.

Some engine applications use a remotely-mounted throttle control rather than the engine-mounted throttle lever shown here.

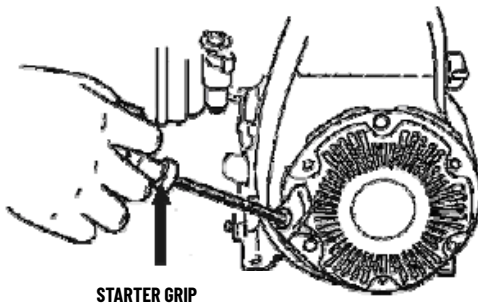


4. Turn the engine switch to the ON position.

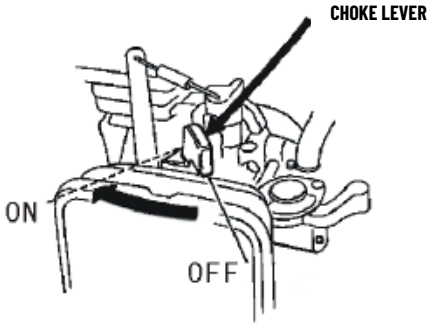


5. Operate the starter.

RECOIL STARTER (all engine types): Pull the starter grip lightly until you feel resistance, then pull briskly. Return the starter grip gently.



6. If the choke lever has been moved to the CLOSE position to start the engine, gradually move it to the OPEN position as the engine warms up.

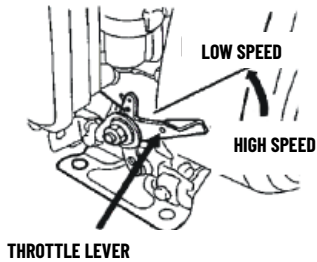


### STOPPING THE ENGINE

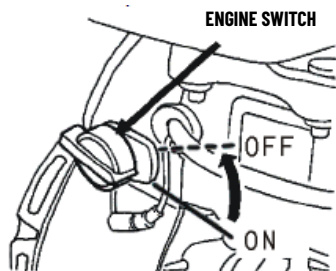
To stop the engine in an emergency, simply turn the engine switch to the OFF position. Under normal conditions, use the following procedure.

1. Move the throttle lever to the SLOW position.

Some engine applications use a remotely-mounted throttle control rather than the engine-mounted throttle lever shown here.

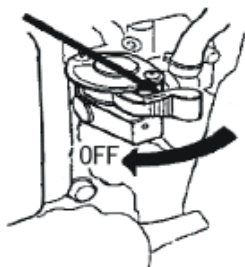


2. Turn the engine switch to the OFF position.



3. Turn the fuel valve lever to the OFF position.

**FUEL VALVE**

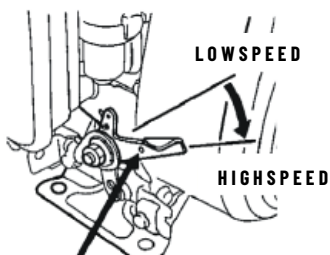


**SETTING ENGINE SPEED**

Position the throttle lever for the desired engine speed.

Some engine applications use a remotely-mounted throttle control rather than the engine-mounted throttle lever shown here.

For engine speed recommendations, refer to the instructions provided with the equipment powered by this engine.



**THROTTLELEVER**

## CHAPTER 6 MAINTENANCE

---

### THE IMPORTANCE OF MAINTENANCE

Good maintenance is essential for safe, economical, and trouble-free operation. It will also help reduce air pollution.



#### WARNING

Improperly maintaining this engine, or failure to correct a problem before operation, can cause a malfunction in which you can be seriously hurt or killed. Always follow the inspection and maintenance recommendations and schedules in this owner's manual.

To help you properly care for your engine, the following pages include a maintenance schedule, routine inspection procedures, and simple maintenance procedures using basic hand tools. Other service tasks that are more difficult, or require special tools, are best handled by professionals and are normally performed by a technician or other qualified mechanic. The maintenance schedule applies to normal operating conditions. If you operate your engine under unusual conditions, such as sustained high-load or high-temperature operation, or use in unusually wet or dusty conditions, consult your servicing dealer for recommendations applicable to your individual needs and use.

### MAINTENANCE SAFETY

Some of the most important safety precautions are as follows: However, we cannot warn you of every conceivable hazard that can arise in performing maintenance. Only you can decide whether or not you should perform a given task.



#### WARNING

Failure to properly follow maintenance instructions and precautions can cause you to be seriously hurt or killed. Always follow the procedures and precautions in the owner's manual.

### SAFETY PRECAUTIONS

Make sure the engine is off before you begin any maintenance or repairs. This will eliminate several potential hazards:

- Carbon monoxide poisoning from engine exhaust. Be sure there is adequate ventilation whenever you operate the engine.
- Burns from hot parts. Let the engine and exhaust system cool before touching.
- Injury from moving parts. Do not run the engine unless instructed to do so.

Read the instructions before you begin, and make sure you have the tools and skills required.

To reduce the possibility of fire or explosion, be careful when working around gasoline. Use only a nonflammable solvent, not gasoline, to clean parts. Keep cigarettes, sparks and flames away from all fuel-related parts. Remember that your servicing dealer knows your engine best and is fully equipped to maintain and repair it. To ensure the best quality and reliability, use only new, genuine parts or their equivalents for repair and replacement.

## MAINTENANCE SCHEDULE

REGULAR SERVICE PERIOD Performed at every indicated month or operating hour interval, whichever comes first.		Each use	First month or 20 Hrs.	Every 3 months or 50 Hrs.	Every 6 months or 100 Hrs.	Every year or 300 Hrs.
ITEM						
• Engine oil	Check level	0				
	Change		0		0	
• Air cleaner	Check	0				
	Clean			0 (1)		
	Replace					
• Sediment Cup	Clean				0	
• Spark plug	Check-Clean				0	
	Replace					0*
Spark arrester (optional parts)	Clean				0	
• Idle speed	Check-Adjust					0 (2)
• Valve clearance	Check-Adjust					0 (2)
• Fuel tank and strainer	Clean					0 (2)
• Combustion chamber	Clean			After every 300 Hrs. (2)		
• Fuel line	Check			Every 2 years (Replace if necessary)(2)		

### • Emission-related items.

\* Replace the paper element type only.

(1) Service more frequently when used in dusty areas.

(2) These items should be serviced by your servicing dealer unless you have the proper tools and are mechanically proficient. Refer to manual for service procedures.

## REFUELING

Fuel tank capacities

152F: .47 US qt (1.4L)

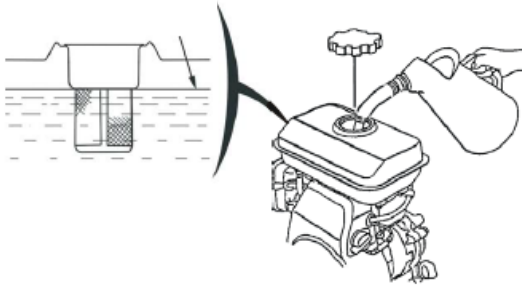
With the engine stopped, remove the fuel tank cap and check the fuel level. Refill the tank if the fuel level is low.



### WARNING

Gasoline is highly flammable and explosive. You can be burned or seriously injured when handling fuel. Stop the engine and keep heat, sparks, and flame away. Handle fuel only outdoors. Wipe up spills immediately

## Maximum fuel level



Refuel in a well-ventilated area before starting the engine. If the engine has been running, allow it to cool. Refuel carefully to avoid spilling fuel. Do not fill above the fuel strainer shoulder. After refueling, tighten the fuel tank cap securely. Never refuel the engine inside a building where gasoline fumes may reach flames or sparks. Keep gasoline away from appliance pilot lights, barbecues, electric appliances, power tools, etc. Spilled fuel is not only a fire hazard, it causes environmental damage. Wipe up spills immediately.

### NOTICE

Fuel can damage paint and plastic. Be careful not to spill fuel when filling your fuel tank. Damage caused by spilled fuel is not covered under warranty.

### FUEL RECOMMENDATIONS

**Use unleaded gasoline with a pump octane rating of 86 or higher.**

These engines are certified to operate on unleaded gasoline. Unleaded gasoline produces fewer engine and spark plug deposits and extends exhaust system life.

Never use stale or contaminated gasoline or an oil/gasoline mixture. Avoid getting dirt or water in the fuel tank. Occasionally you may hear a light “spark knock” or “pinging” (metallic rapping noise) while operating under heavy loads. This is no cause for concern.

If spark knock or pinging occurs at a steady engine speed, under normal load, change brands of gasoline. If spark knock or pinging persists, see an authorized servicing dealer.

### NOTICE

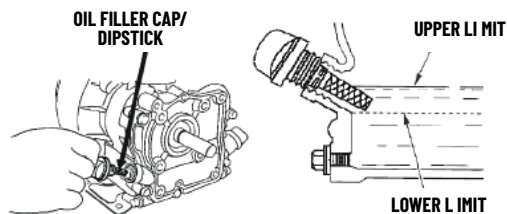
Running the engine with persistent spark knock or pinging can cause engine damage.

Running the engine with persistent spark knock or pinging is considered misuse, and the Distributor’s Limited Warranty does not cover parts damaged by misuse.

### ENGINE OIL LEVEL CHECK

Check the engine oil level with the engine stopped and in a level position.

1. Remove the filler cap/dipstick and wipe it clean.



2. Insert and remove the dipstick without screwing it into the filler neck. Check the oil level shown on the dipstick.
3. If the oil level is low, fill to the edge of the oil filler hole with the recommended oil.
4. Screw in the filler cap/dipstick securely.

### NOTICE

Running the engine with a low oil level can cause engine damage.

The Oil Alert system (applicable engine types) will automatically stop the engine before the oil level falls below safe limit. However, to avoid the inconvenience of an unexpected shutdown, always check the engine oil level before startup.

### ENGINE OIL CHANGE

Drain the used oil while the engine is warm. Warm oil drains quickly and completely.

1. Place a suitable container below the engine to catch the used oil, and then remove the filler cap/dipstick and the drain plug.
2. Allow the used oil to drain completely, and then reinstall the drain plug, and tighten it securely. Please dispose of used motor oil in a manner that is compatible with the environment. We suggest you take used oil in a sealed container to your local recycling center or service station for reclamation. Do not throw it in the trash; pour it on the ground; or down a drain.
3. With the engine in a level position, fill to the outer edge of the oil filler hole with the recommended oil.

Engine oil capacities:

152F: 0.48 US qt ( 0. 45 L)

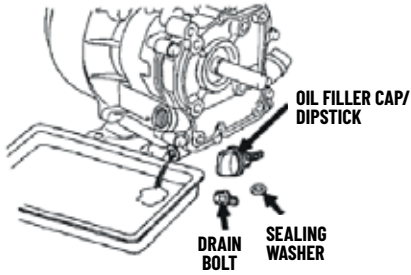
Running the engine with a low oil level can cause engine damage.

The Oil Alert system (applicable engine types) will automatically stop the engine before the oil level falls below the safe limit.

However, to avoid the inconvenience of an unexpected shutdown, fill to the upper limit, and check the oil level regularly.

4. Screw in the filler cap/dipstick securely.

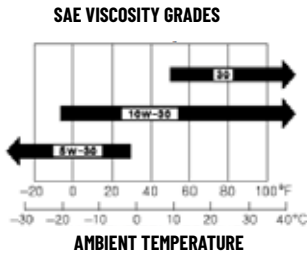




## SERVICING YOUR ENGINE

### ENGINE OIL RECOMMENDATIONS

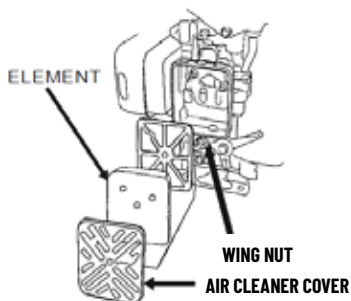
Oil is a major factor affecting performance and service life. Use 4-stroke automotive detergent oil. SAE 10W-30 is recommended for general use. Other viscosities shown in the chart may be used when the average temperature in your area is within the recommended range.



The SAE oil viscosity and service classification are in the API label on the oil container. We recommend that you use API SERVICE Category SE or SF oil.

### AIR FILTER INSPECTION

Remove the air cleaner cover and inspect the filter. Clean or replace dirty filter elements. Always replace damaged filter elements. If equipped with an oil-bath air cleaner, also check the oil level.



### AIR CLEANER SERVICE

A dirty air filter will restrict air flow to the carburetor, reducing engine performance. If you operate the engine in very dusty areas, clean the air filter more often than specified in the MAINTENANCE SCHEDULE.

### NOTICE

Operating the engine without an air filter, or with a damaged air filter, will allow dirt to enter the engine, causing rapid engine wear. This type of damage is not covered by the Distributor's Limited Warranty.

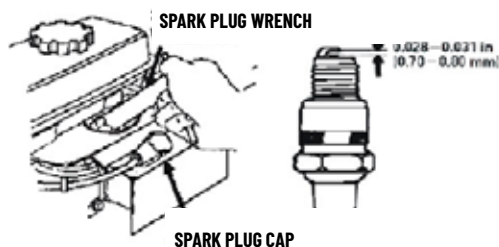
### SPARK PLUG SERVICE

Recommended spark plugs: E5T or other equivalents.

### NOTICE

An incorrect spark plug can cause engine damage.

1. Disconnect the spark plug cap, and remove any dirt from around the spark plug area.
2. Remove the spark plug with a spark plug wrench.



3. Inspect the spark plug. Replace it if the electrodes are worn, or if the insulator is cracked or chipped.
4. Measure the spark plug electrode gap with a suitable gauge. The gap should be 0.028 - 0.031 in (0.70 - 0.80 mm). Correct the gap, if necessary, by carefully bending the side electrode.
5. Install the spark plug carefully, by hand, to avoid cross-threading.
6. After the spark plug seats, tighten with a spark plug wrench to compress the water. If reinstalling the used spark plug, tighten 1/8 - 1/4 turn after the spark plug seats. If installing a new spark plug, tighten 1/2 turn after the spark plug seats.

**NOTICE**

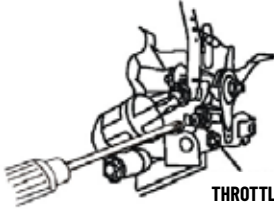
A loose spark plug can overheat and damage the engine. Over tightening the spark plug can damage the threads in the cylinder head.

7. Attach the spark plug cap.

**IDLE SPEED ADJUSTMENT**

1. Start the engine outdoors, and allow it to warm up to operating temperature.
2. Move the throttle lever to its slowest position.
3. Turn the throttle stop screw to obtain the standard idle speed.

Standard idle speed:  $2,200 \pm 150$  rpm



**THROTTLE STOP SCREW**

## CHAPTER 7

### STORAGE/ TRANSPORTING

---

**STORING YOUR ENGINE**  
**STORAGE PREPARATION**

Proper storage preparation is essential for keeping your engine trouble free and looking good. The following steps will help to keep rust and corrosion from impairing your engine's function and appearance, and will make the engine easier to start after storage.

**CLEANING**

If the engine has been running, allow it to cool for at least half an hour before cleaning. Clean all exterior surfaces, touch up any damaged paint, and coat other areas that may rust with a light film of oil.

**NOTICE**

Using a garden hose or pressure washing equipment can force water into the air cleaner or muffler opening. Water in the air cleaner will soak the air filter, and water that passes through the air filter or muffler can enter the cylinder, causing damage. Water contacting a hot engine can cause damage. If the engine has been running, allow it to cool for at least half an hour before washing.

## FUEL

Gasoline will oxidize and deteriorate in storage. Old gasoline will cause hard starting, and it leaves gum deposits that clog the fuel system. If the gasoline in your engine deteriorates during storage, you may need to have the carburetor and other fuel system components serviced or replaced.

The length of time that gasoline can be left in your fuel tank and carburetor without causing functional problems will vary with such factors as gasoline blend, your storage temperatures, and whether the fuel tank is partially or completely filled. The air in a partially filled fuel tank promotes fuel deterioration. Very warm storage/temperatures accelerate fuel deterioration. Fuel deterioration problems may occur within a few months, or even less if the gasoline was not fresh when you filled the fuel tank. The Distributor's Limited Warranty does not cover fuel system damage or engine performance problems resulting from neglected storage preparation. You can extend fuel storage life by adding a fuel stabilizer that is formulated for that purpose, or you can avoid fuel deterioration problems by draining the fuel tank and carburetor.

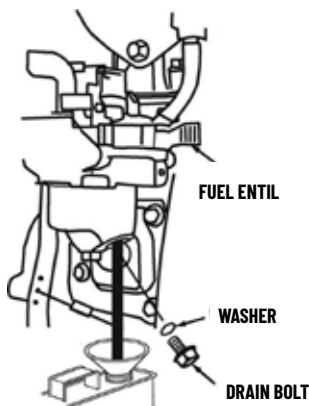
### ADDING A FUEL STABILIZER TO EXTEND FUEL STORAGE LIFE

When adding a fuel stabilizer, fill the fuel tank with fresh gasoline. If only partially filled, air in the tank will promote fuel deterioration during storage. If you keep a container of gasoline for refueling, be sure that it contains only fresh gasoline.

1. Add fuel stabilizer following the manufacturer's instructions.
2. After adding a fuel stabilizer, run the engine outdoors for 10 minutes to be sure that treated gasoline has replaced the untreated gasoline in the carburetor.
3. Stop the engine, and move the fuel valve to the OFF position.

### DRAINING THE FUEL TANK AND CARBURETOR

1. Place an approved gasoline container below the carburetor, and use a funnel to avoid spilling fuel.
2. Remove the carburetor drain bolt and sediment cup, and then move the fuel valve lever to the ON position.



3. After all the fuel has drain into the container, reinstall the drain bolt and sediment cup. Tighten them securely.

### **STORAGE PRECAUTIONS**

1. Change the engine oil.
2. Remove the spark plugs.
3. Pour a tablespoon (5–10 cc) of clean engine oil into the cylinder.
4. Pull the starter rope several times to distribute the oil in the cylinder.
5. Reinstall the spark plugs.
6. Pull the starter rope slowly until resistance is felt. This will close the valves so moisture cannot enter the engine cylinder. Return the starter rope gently.

If your engine will be stored with gasoline in the fuel tank and carburetor, it is important to reduce the hazard of gasoline vapor ignition. Select a well-ventilated storage area away from any appliance that operates with a flame, such as a furnace, water heater, or clothes dryer. Also avoid any area with a spark-producing electric motor, or where power tools are operated. If possible, avoid storage areas with high humidity, because that promotes rust and corrosion. Unless all fuel has been drained from the fuel tank, leave the fuel valve lever in the OFF position to reduce the possibility of fuel leakage. Position the equipment so the engine is level. Tilting can cause fuel or oil leakage. With the engine and exhaust system cool, cover the engine to keep out dust. A hot engine and exhaust system can ignite or melt some materials. Do not use sheet plastic as a dust cover. A nonporous cover will trap moisture around the engine, promoting rust and corrosion. If equipped with a battery for an electric starter, recharge the battery once a month while the engine is in storage. This will help to extend the service life of the battery.

### **REMOVAL FROM STORAGE**

Check your engine as described in the chapter CHECK BEFORE OPERATION.

If the fuel was drained during storage preparation, fill the tank with fresh gasoline. If you keep a container of gasoline for refueling, be sure that it contains only fresh gasoline.

Gasoline oxidizes and deteriorates over time, causing hard starting.

If the cylinders were coated with oil during storage preparation, the engine may smoke briefly at startup. This is normal.

### **TRANSPORTING**

If the engine has been running, allow it to cool for at least 15 minutes before loading the engine-powered equipment on the transport vehicle. A hot engine and exhaust system can burn you and can ignite some materials.

Keep the engine level when transporting to reduce the possibility of fuel leakage. Move the fuel valve lever to the OFF position.

## CHAPTER 8 TROUBLESHOOTING

ENGINE WILL NOT START	POSSIBLE CAUSE	CORRECTION
Electric starting; check battery	Battery discharged.	Recharge battery.
Check control positions	Fuel valve OFF	Move lever to ON.
	Choke OPEN	Move lever to CLOSE unless engine is warm.
	Engine switch OFF	Turn engine switch to ON.
Check fuel	Out of fuel	Refuel
	Bad fuel; engine stored without treating or draining gasoline, or refueled with bad gasoline.	Drain fuel tank and carburetor. Refuel with fresh gasoline.
Remove and inspect spark plugs	Spark plugs faulty, fouled, or improperly gapped.	Gap, or replace spark plugs.
	Spark plugs wet with fuel (flooded engine).	Dry and reinstall spark plugs. Start engine with throttle lever in FAST position.
Take engine to an authorized servicing dealer or refer to manual	Fuel filter clogged, carburetor malfunction, ignition malfunction, valve stuck, etc.	Replace or repair faulty components as necessary.

ENGINE LACKS POWER	POSSIBLE CAUSE	CORRECTION
Check air filter	Filter element(s) clogged	Clean or replace filter element(s).
Check fuel.	Out of fuel	Refuel
	Bad fuel; engine stored without treating or draining gasoline, or refueled with bad gasoline.	Drain fuel tank and carburetor. Refuel with fresh gasoline.
Take engine to an authorized servicing dealer, or refer to manual.	Fuel filter clogged, carburetor malfunction, ignition malfunction, valve stuck, etc.	Replace or repair faulty components as necessary.

## CHAPTER 9 TECHNICAL & CONSUMER INFORMATION

### TECHNICAL INFORMATION

Serial Number Location



ENGINE TYPE  
SERIAL NUMBER

Record the engine serial number in the space below. You will need this serial number when ordering parts, and when making technical or warranty inquires.

Engine serial number:

#### Carburetor Modification for High Altitude Operation

At high altitude, the standard carburetor air-fuel mixture will be too rich. Performance will decrease, and fuel consumption will increase. A very rich mixture will also foul the spark plug and cause hard starting. Operation at an altitude that differs from that at which this engine was certified, for extended periods of time, may increase emissions.

High altitude performance can be improved by specific modifications to the carburetor. If you always operate your engine at altitudes above 5,000 feet (1,500 meters), have your servicing dealer perform this carburetor modification. This engine, when operated at high altitude with the carburetor modifications for high altitude use, will meet each emission standard throughout its useful life.

Even with carburetor modification, engine horsepower will decrease about 3.5% for each 1,000-foot (300-meter) increase in altitude. The effect of altitude on horsepower will be greater than this if no carburetor modification is made.

### NOTICE

When the carburetor has been modified for high altitude operation, the air-fuel mixture will be too lean for low altitude use. Operation at altitudes below 5,000 feet (1,500 meters) with a modified carburetor may cause the engine to overheat and result in serious engine damage. For use at low altitudes, have your servicing dealer return the carburetor to original factory specifications.

### ENGINE TUNE-UP

ITEM	SPECIFICATION
Spark plug gap	0.028-0.031 in (0.70-0.80 mm)
Valve clearance	IN: 0.10 0.02 mm (kalt) EX: 0.15 0.02 mm (kalt)
Other specifications	No other adjustments needed

### CONSUMER INFORMATION

#### Publications

These publications will give you additional information for maintaining and repairing your engine. You may order them from your engine dealer.

#### Parts Catalog

This manual provides complete, illustrated parts lists.

**QUICK REFERENCE INFORMATION**

ENGINE OIL	TYPE	SAE 10W-30,API SJ, FOR GENERAL USE
	Capacity	152F: 0.45 L
Spark Plug	Type	E5T or other equivalents.
	Gap	0.028-0.031 in (0.70-0.80 mm)
Carburetor	Idle speed	2200±150 rpm
Maintenance	Each use	Check engine oil. Check air filter.
	First 20 hours	Change engine oil.
	Subsequent	Refer to the maintenance

## CHAPTER 10

### SPECIFICATIONS

MODEL	HYDROBLASTER 2.5 HP
Type	Single cylinder, 4-Stroke, Forced AirCooling, SV
Rated power (kW/3600rpm)	1.2
Max. torque(N.m/rpm)	4.0 N.m/2500 rpm
Fuel consumption(g/kW.h)	<435
Idle speed (rpm)	2200 ± 150
Speed Fluctuating Ratio	<10 %
Noise (≤ dB(A))	80 dB(A)
Bore×Stroke(mm)	52 x 46
Displacement (cc)	97cc
Compression Ratio	5,6: 1
Lubricating mode	Splash
Starting Mode	Recoil start
Rotation	Anti-clockwise(from P.T.O. side)
Spark plug clearance (mm)	0.7-0.8mm
Igniting Mode	Transistorized magneto Ignition
Air cleaner	Semi-dry

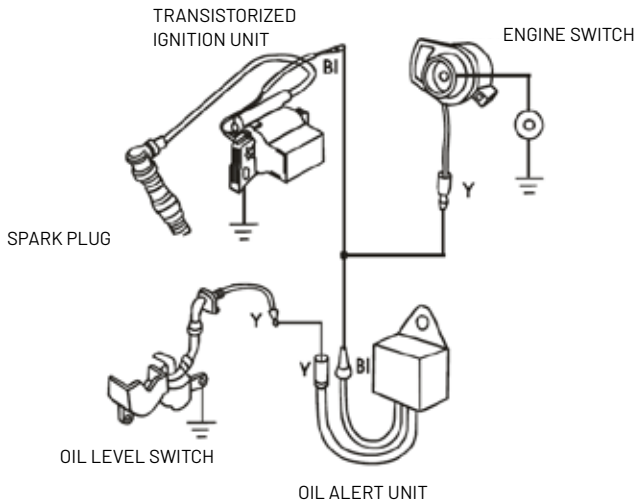


ITEM	TYPE	HYDROBLASTER 2.5 HP
Pump	Length(mm)	340
	Width(mm)	290
	High(mm)	370
	Weight(Kg)	13
	Suction port diameter	1.5 in(40 mm)
	Discharge port diameter	1.5 in(40 mm)
	Max. suction (m)	6
	Max. head (m)	21
	Max. capacity( m3/hr)	12

## CHAPTER 11

### ENGINE TYPE WITH OIL ALERT AND WITHOUT ELECTRIC STARTING

Bl	BLACK
Y	YELLOW





# INHALT

KAPITEL	BESCHREIBUNG	SEITE
1	ALLGEMEINE HINWEISE	25
2	BAUTEILE	27
3	STEUERUNGEN/BEDIENELEMENTE	28
4	KONTROLLE VOR DER INBETRIEBNAHME	30
5	BETRIEB	31
6	WARTUNG	35
7	LAGERUNG/TRANSPORT	41
8	FEHLERBEHEBUNG	44
9	TECHNISCHE INFORMATIONEN UND HINWEISE FÜR DEN BENUTZER	44
10	TECHNISCHE DATEN	46
11	MOTOR MIT ÖLWARNUNG UND OHNE ELEKTROSTART	47
12	BETRIEB	48

## KAPITEL 1 ALLGEMEINE HINWEISE

Wir danken Ihnen für den Kauf einer Wasserpumpe.

Die in diesem Handbuch enthaltenen Informationen und Angaben galten zum Zeitpunkt der Genehmigung des Drucks. Dieses Dokument oder seine Teile dürfen ohne schriftliche Genehmigung in keiner Form vervielfältigt werden.

Dieses Handbuch ist ein wesentlicher Bestandteil der Pumpe und muss bei deren Weiterverkauf zusammen mit dieser übergeben werden. Die Darstellungen und Abbildungen in diesem Handbuch beziehen sich auf das Modell HYDROBLASTER 2.5 High Pressure und können je nach Typ variieren.

Dieses Handbuch muss griffbereit aufbewahrt werden, um jederzeit zum Nachschlagen zur Verfügung zu stehen.

Dieses Handbuch ist ein wesentlicher Bestandteil der Wasserpumpe und muss bei deren Weiterverkauf zusammen mit dieser übergeben werden. Bei Problemen oder Fragen zur Pumpe wenden Sie sich an einen autorisierten Händler. Ihre Sicherheit und die anderer Personen ist äußerst wichtig. Der sichere Betrieb dieser Wasserpumpe ist eine große Verantwortung. Um Ihnen dabei zu helfen, auf Sachkenntnis basierende sicherheitsrelevante Entscheidungen zu treffen, sind die Anweisungen für den Betrieb und sonstige Informationen auf Etiketten und in diesem Handbuch angegeben. Diese Informationen warnen Sie vor potenziellen Gefährdungen, die zu Verletzungen für Sie oder andere führen könnten. Natürlich ist es praktisch unmöglich, Sie vor allen vom Betrieb oder der Wartung einer Wasserpumpe ausgehenden Gefährdungen zu warnen. Nutzen Sie daher Ihren gesunden Menschenverstand. Wichtige Sicherheitshinweise werden Ihnen auf unterschiedliche Art und Weise geliefert, u. a. durch Sicherheitszeichen an der Pumpe; Sicherheitshinweise, die mit einem Warnsymbol und einem der Signalwörter „GEFAHR“, „WARNUNG“, „VORSICHT“ gekennzeichnet sind, wobei diese Signalwörter folgende Bedeutung haben:

Die Missachtung der Anweisungen führt zu **SCHWEREN VERLETZUNGEN** oder zum **TOD**.

Die Missachtung der Anweisungen kann zu **SCHWEREN VERLETZUNGEN** oder zum **TOD** führen.

Die Missachtung der Anweisungen kann zu **VERLETZUNGEN** führen.

Die Missachtung der Anweisungen kann zu Schäden an der Pumpe oder anderen Sachschäden führen.

Überschriften wie **WICHTIGE SICHERHEITSHINWEISE**;

Sicherheitsabschnitte wie **PUMPENSICHERHEIT**;

Anweisungen zum sachgemäßen und sicheren Gebrauch der Pumpe.

Das gesamte Handbuch enthält wichtige Sicherheitshinweise und muss daher aufmerksam gelesen werden.

## WICHTIGE SICHERHEITSHINWEISE

Diese Wasserpumpe wurde konzipiert, um ausschließlich Wasser zu pumpen, das nicht für den menschlichen Gebrauch bestimmt ist. Sonstige Verwendungen können zu Verletzungen des Bedienungspersonals oder Schäden an der Pumpe und sonstigen Sachschäden führen.

Vor dem Motorstart stets eine Kontrolle durchführen. Dadurch können Unfälle oder Geräteschäden vermieden werden. Wenn Sie die in diesem Handbuch enthaltenen und auf der Pumpe angegebenen Anweisungen befolgen, können viele Unfälle vermieden werden. Nachfolgend sind die häufigsten Gefährdungen zusammen mit den geeigneten Maßnahmen für Ihren Schutz und den anderer Personen beschrieben.

### Verantwortung des Bedieners

Der Bediener ist dafür verantwortlich, die notwendigen Schutzeinrichtungen zu beschaffen, um Personen- und Sachschäden zu vermeiden. Informieren Sie sich darüber, wie Sie die Pumpe im Notfall schnell stillsetzen können.

Wenn Sie die Pumpe aus irgendeinem Grund unbeaufsichtigt lassen, stellen Sie stets den Motor ab.

Machen Sie sich mit dem Gebrauch aller Steuerungen/Bedienelemente und Anschlüsse vertraut. Stellen Sie sicher, dass alle Personen, die mit der Pumpe arbeiten, angemessen unterwiesen werden.

Die Pumpe darf nicht von Kindern bedient werden. Kinder und Haustiere sind aus dem Betriebsbereich der Pumpe fernzuhalten. Pumpenbetrieb Ausschließlich Wasser pumpen, das nicht für den menschlichen Gebrauch bestimmt ist. Das Pumpen von entzündlichen Stoffen wie Benzin oder Kraftstoffölen kann zu Brand oder Explosion und somit zu schweren Verletzungen führen. Das Pumpen von Meerwasser, Getränken, Säuren, Chemikalien oder sonstigen ätzenden Stoffen kann die Pumpe beschädigen. Beim Nachfüllen von Benzin vorsichtig vorgehen.

Benzin ist äußerst entzündlich und Benzindämpfe können explodieren. Füllen Sie Benzin im Freien in einem gut belüfteten Bereich nach. Stoppen Sie hierzu zuerst den Motor und platzieren Sie die Pumpe auf einer ebenen Fläche. Den Kraftstoffbehälter nur bis zur Wand des Kraftstofffilters füllen. In der Nähe von Benzin nicht rauchen, von offenem Feuer und Funken fernhalten. Benzin stets in einem zugelassenen Kanister aufbewahren.

Vor dem Starten des Motors sicherstellen, dass eventuell ausgelaufener Kraftstoff aufgewischt wurde. Nach dem Nachfüllen sicherstellen, dass der Behälterdeckel ordnungsgemäß und sicher verschlossen ist.

## HEISSER AUSPUFF

Der Auspuff wird während des Betriebs sehr heiß und weist auch nach dem Ausschalten des Motors für einen gewissen Zeitraum eine hohe Temperatur auf. Berühren Sie den Auspuff nicht, wenn er heiß ist. Lassen Sie den Motor abkühlen, bevor Sie die Pumpe transportieren oder in einem Innenbereich lagern.

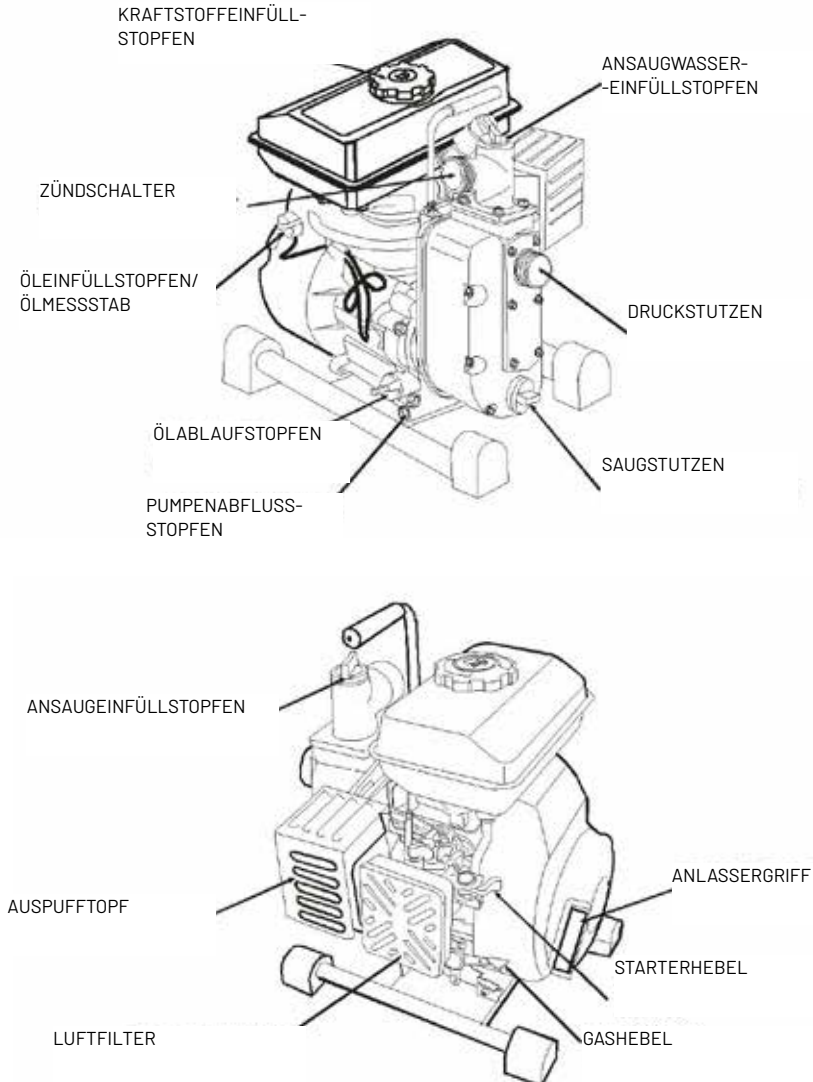
Um Brandgefahr zu vermeiden, muss während des Betriebs ein Abstand von mindestens 1 m von Gebäudewänden oder anderen Geräten eingehalten werden. Keine entzündlichen Gegenstände in die Nähe des Motors bringen.

Kohlenmonoxidhaltige Abgase sind giftig. Die Abgase nicht einatmen. Die Pumpe niemals in einer geschlossenen Garage oder einem sonstigen geschlossenen Raum betreiben.

## KAPITEL 2

### BAUTEILE

Die Elektropumpen der Serie VIPVORT, FP14 KVX, FP7 KV eignen sich für die Förderung von Schmutzwasser, das mit Festkörpern durchsetzt ist. Sie sind in festen und provisorischen Installationen einsetzbar und finden Ihre natürliche Anwendung in: Entleeren von Schmutzwassergruben und biologischer Gruben.



## KAPITEL 3

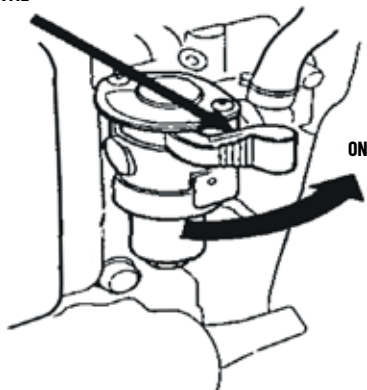
### STEUERUNGEN/BEDIENELEMENTE

---

#### KRAFTSTOFFVENTILHEBEL

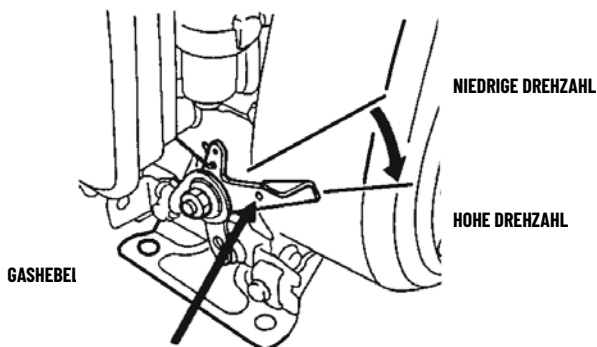
Das Kraftstoffventil öffnet und schließt die Verbindung zwischen Kraftstoffbehälter und Vergaser. Damit die Pumpe in Betrieb genommen werden kann, muss der Kraftstoffventilhebel auf EIN stehen. Wird die Pumpe nicht gebraucht, den Kraftstoffventilhebel auf AUS lassen, damit der Vergaser nicht geflutet wird und um das

#### KRAFTSTOFFVENTIL



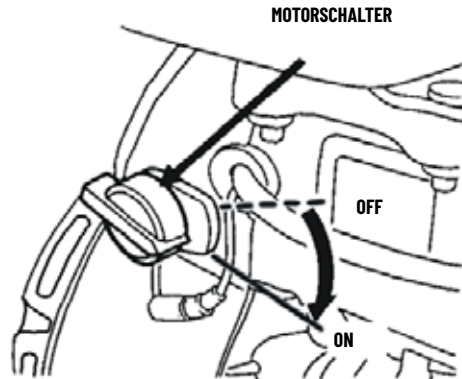
#### GASHEBEL

Mit dem Gashebel wird die Motordrehzahl gesteuert. Wenn Sie den Gashebel in die dargestellten Richtungen bewegen, wird die Drehzahl erhöht bzw. reduziert.



#### MOTORSCHALTER

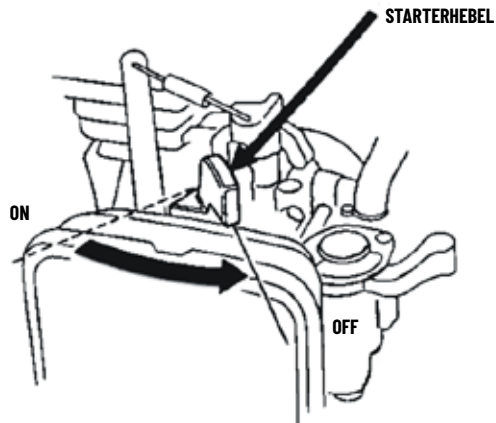
Mit dem Motorschalter wird das Zündungssystem aktiviert bzw. deaktiviert. Damit der Motor gestartet werden kann, den Motorschalter auf EIN stellen. Wird der Motorschalter auf AUS gestellt, stoppt der Motor.



### STARTERHEBEL

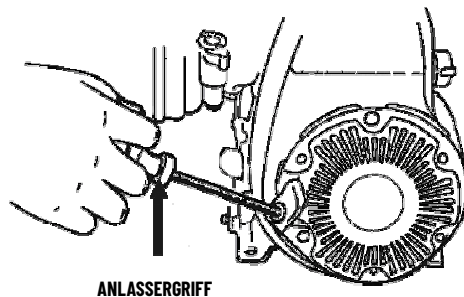
Mit dem Starterhebel wird die Starterklappe im Vergaser geöffnet bzw. geschlossen. In der Stellung GESCHLOSSEN wird die Kraftstoffmischung für den Kaltstart angereichert. In der Stellung OFFEN wird die korrekte Kraftstoffmischung für den Betrieb nach dem Start oder bei einem Warmstart zugeführt.

Einige Ausführungen sind mit einer extern montierten Starterbedienung und nicht mit dem hier dargestellten am Motor befindlichen Starterhebel ausgestattet



### REVERSIERSTARTERGRIF

Wenn am Griff gezogen wird, tritt der Reversierstarter in Funktion, um den Motor anzulassen.



## KAPITEL 4

### KONTROLLE VOR DER INBETRIEBNAHME

---

#### IST IHRE PUMPE BETRIEBSBEREIT?

Zu Ihrer Sicherheit und um die Lebensdauer Ihres Geräts zu erhöhen, sollten Sie sich vor dessen Inbetriebnahme kurz Zeit nehmen, um dessen Zustand zu kontrollieren. Vor der Inbetriebnahme müssen Sie alle etwaigen festgestellten Probleme beheben oder ggf. von Ihrem Service-Händler beheben lassen



#### WARNUNG

Wenn Sie dieses Gerät unsachgemäß warten oder ein Problem vor der Inbetriebnahme nicht beheben, können Störungen hervorgerufen werden, die eventuell zu schweren Verletzungen führen. Vor jedem Start eine entsprechende Inspektion durchführen und alle Probleme beheben

Bevor Sie mit der Inspektion beginnen, platzieren Sie den Motor auf einer ebenen Fläche und stellen Sie den Motorschalter auf AUS.

#### KONTROLLE DES ALLGEMEINEN ZUSTANDS DES MOTORS

Prüfen Sie das gesamte Gerät einschließlich der Unterseite auf Anzeichen für Öl- oder Benzinleckagen.

Entfernen Sie Schmutz oder Staub insbesondere am Auspuff und am Reversierstarter.

Untersuchen Sie das Gerät auf irgendwelche Beschädigungen.

Stellen Sie sicher, dass sich alle Abdeckungen und Gehäuse an Ort und Stelle befinden und dass alle Muttern, Bolzen und Schrauben festgezogen sind.

#### KONTROLLE DES MOTORS

Prüfen Sie den Motorölstand. Der Betrieb des Motors bei niedrigem Ölstand kann Motorschäden hervorrufen.

Das Ölwarnsystem (nur bei den entsprechenden Geräteausführungen) stoppt den Motor automatisch, bevor der Ölstand unter den Sicherheitspegel fällt. Prüfen Sie jedoch den Motorölstand vor der Inbetriebnahme, um Probleme aufgrund unerwarteter Stillsetzung zu vermeiden.

Prüfen Sie den Luftfilter. Ein verschmutzter Luftfilter behindert die Luftströmung zum Vergaser und reduziert die Motorleistung.

Prüfen Sie den Kraftstofffüllstand. Wenn Sie den Motor mit vollem Kraftstoffbehälter starten, sorgen Sie dafür, dass Unterbrechungen zum Nachfüllen reduziert oder beseitigt werden

#### KONTROLLE DES ÜBER DEN MOTOR VERSORGTE GERÄTS

Lesen Sie die mit dem Gerät, das über diesen Motor versorgt wird, mitgelieferten Anweisungen durch, um sicherzustellen, welche Vorsichtsmaßnahmen und Abläufe vor dem Start des Motors zu befolgen sind.



# KAPITEL 5

## BETRIEB

### ANWEISUNGEN FÜR DEN SICHEREN BETRIEB

Bevor Sie den Motor zum ersten Mal starten, lesen Sie die WICHTIGEN SICHERHEITSHINWEISE und das Kapitel VOR DER INBETRIEBNAHME durch.



#### WARNUNG

Kohlenmonoxidgas ist giftig.

Wenn Sie dieses Gas einatmen, können Sie bewusstlos werden oder sogar sterben.

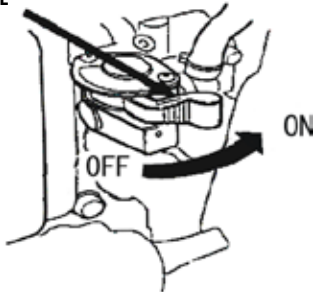
Vermeiden Sie alle Bereiche oder Handlungen, in denen bzw. durch die Sie durch Kohlenmonoxid gefährdet werden.

Lesen Sie die mit dem Gerät, das über diesen Motor versorgt wird, mitgelieferten Anweisungen durch, um sicherzustellen, welche Sicherheitsvorschriften bei der Inbetriebnahme des Motors, während des Betriebs oder beim Stillsetzen zu beachten sind

### ANLASSEN DES MOTORS

1. Den Kraftstoffventilhebel auf EIN stellen.

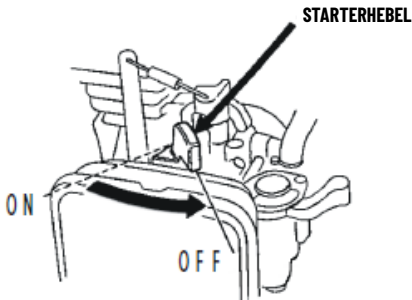
#### KRAFTSTOFFVENTIL



2. Für den Kaltstart den Starterhebel auf GESCHLOSSEN stellen.

Für den Warmstart den Starterhebel auf OFFEN lassen.

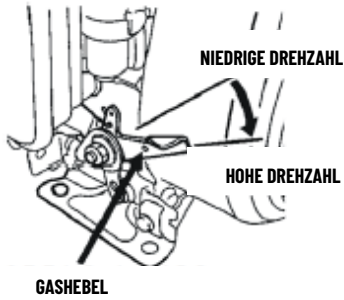
Einige Ausführungen sind mit einer extern montierten Starterbedienung und nicht mit dem hier dargestellten am Motor befindlichen Starterhebel ausgestattet



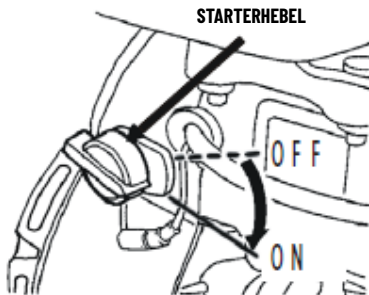
**DE**

3. Den Gashebel aus der Position NIEDRIGE DREHZAHL etwa um 1/3 in Richtung der Position HOHE DREHZAHL schieben.

Einige Ausführungen sind mit einer extern montierten Gasbedienung und nicht mit dem hier dargestellten am Motor befindlichen Gashebel ausgestattet



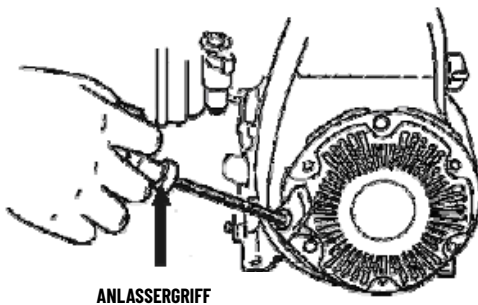
4. Den Motorschalter auf ON stellen



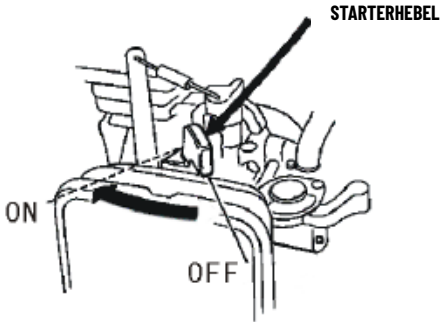
5. Den Anlasser betätigen

REVERSIERSTARTER (alle Motortypen)

Den Startergriff leicht ziehen, bis Sie einen Widerstand spüren, dann heftig ziehen. Den Startergriff vorsichtig zurückführen



6. Wenn der Starterhebel auf GESCHLOSSEN gestellt wurde, um den Motor zu starten, stellen Sie ihn vorsichtig auf OFFEN, wenn der Motor warm wird



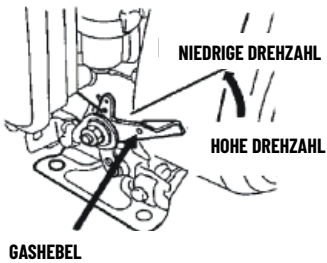
### STOPPEN DES MOTORS

Um den Motor im Notfall stillzusetzen, einfach den Motorschalter auf AUS stellen.

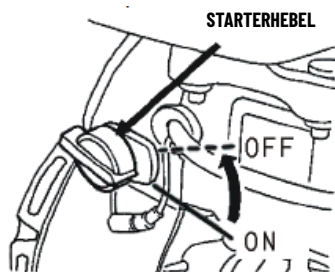
Unter normalen Umständen sind folgende Anweisungen zum Stoppen des Motors zu befolgen:

1. Den Gashebel auf NIEDRIGE DREHZAHL stellen.

Einige Ausführungen sind mit einer extern montierten Gasbedienung und nicht mit dem hier dargestellten am Motor befindlichen Gashebel ausgestattet.

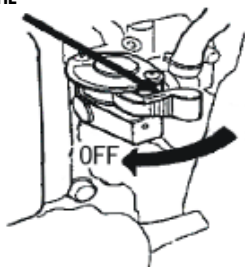


2. Den Motorschalter auf AUS stellen



3. Den Kraftstoffventilhebel auf AUS stellen

#### KRAFTSTOFFVENTIL

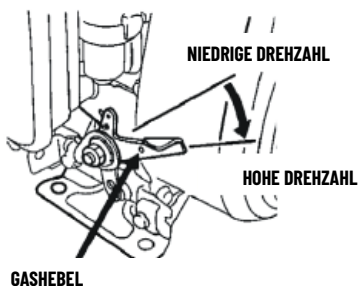


#### EINSTELLEN DER MOTORDREHZAHL

Den Gashebel auf die gewünschte Motordrehzahl stellen.

Einige Ausführungen sind mit einer extern montierten Gasbedienung und nicht mit dem hier dargestellten am Motor befindlichen Gashebel ausgestattet.

Für Empfehlungen zur Motordrehzahl wird auf die Anweisungen verwiesen, die im Lieferumfang des durch diesen Motor versorgten Geräts enthalten sind.



## KAPITEL 6

### WARTUNG

---

#### EINE ORDUNGSGEMÄSSE WARTUNG IST VON GRUNDLEGENDER BEDEUTUNG.

Die sachgemäße Wartung ist grundlegend für den sicheren, wirtschaftlichen und störungsfreien Betrieb. Zudem trägt ein einwandfrei gewartetes Gerät dazu bei, die Luftverschmutzung zu reduzieren



#### WARNUNG

Wenn Sie dieses Gerät unsachgemäß warten oder ein Problem vor der Inbetriebnahme nicht beheben, können Störungen hervorgerufen werden, die eventuell zu ernsthaften Verletzungen oder zum Tod führen. Befolgen Sie stets die im Benutzerhandbuch enthaltenen Empfehlungen und Anweisungen für Inspektion und Wartung

Um Ihnen dabei zu helfen, Ihr Gerät einwandfrei zu warten, enthalten die nächsten Seiten einen Wartungsplan, Anweisungen für Routineinspektionen sowie für einfache Wartungsarbeiten unter Nutzung herkömmlicher Werkzeuge. Aufwendigere Wartungsarbeiten oder solche, die Spezialwerkzeuge erfordern, sollten am besten von qualifizierten Fachleuten durchgeführt werden.

Der Wartungsplan gilt für die normalen Betriebsbedingungen. Wenn Sie Ihr Gerät unter ungewöhnlichen Bedingungen betreiben wie Betrieb unter hoher Belastung oder bei hohen Temperaturen oder bei Nässe oder Staub, wenden Sie sich an Ihren Händler, der Ihnen Ihren Bedürfnissen und Ihrem Einsatz entsprechende Tipps geben wird.

#### SICHERHEIT BEI DER WARTUNG

Einige der wichtigsten Sicherheitsvorschriften sind im Folgenden aufgeführt. Wir können Sie jedoch nicht vor allen Gefahren, die ggf. bei Wartungsarbeiten auftreten, warnen. Nur Sie selbst können entscheiden, ob Sie in der Lage sind, eine bestimmte Aufgabe durchzuführen, oder nicht.



#### WARNUNG

Die Missachtung dieser Wartungs- und Sicherheitsanweisungen kann zu schweren Verletzungen oder zum Tod führen. Befolgen Sie stets die in diesem Benutzerhandbuch angegebenen Anweisungen und Sicherheitshinweise

#### SICHERHEITSANWEISUNGEN

Stellen Sie sicher, dass der Motor ausgeschaltet ist, bevor Sie Wartungs- oder Reparaturarbeiten beginnen. Dadurch vermeiden Sie mehrere potenzielle Gefährdungen:

- Kohlenstoffmonoxidintoxikation durch Motorabgase Sorgen Sie für eine ausreichende Belüftung, wenn Sie am Motor arbeiten.
- Verbrennungen durch heiße Teile Lassen Sie den Motor und das Auspuffsystem abkühlen, bevor Sie ihn/es berühren.
- Verletzungen durch sich bewegende Teile Starten Sie den Motor nicht, wenn Sie keine ausreichenden einschlägigen Kenntnisse besitzen.

Lesen Sie die Anweisungen vor der Inbetriebnahme und stellen Sie sicher, dass Sie über die notwendigen Werkzeuge und Fertigkeiten verfügen.

Um die Brand- oder Explosionsgefahr zu reduzieren, gehen Sie vorsichtig vor, wenn Sie in der Nähe von Benzin arbeiten. Verwenden Sie zur Reinigung der Bauteile ausschließlich nicht entzündliche Lösungsmittel, kein Benzin. Halten Sie Zigaretten, Funken und Flammen von Kraftstoff und kraftstoffbezogenen Teilen fern.

Denken Sie daran, dass Ihr Händler bestens mit dem Gerät vertraut ist und für dessen Wartung und Reparatur voll ausgerüstet ist. Um Spitzenleistungen und Zuverlässigkeit zu garantieren, benutzen Sie bei Reparaturen oder für den Ersatz nur neue Original- oder gleichwertige Ersatzteile.

## WARTUNGSPLAN

WARTUNGSINTERVALL Die betreffende Maßnahme ist jeweils nach Ablauf des angegebenen Zeitraums (Monate oder Stunden, je nachdem, was zuerst abläuft) durchzuführen.		Bei jedem Gebrauch	Nach dem 1. Monat oder nach den ersten 20 Betriebsstunden	Alle 3 Monate oder 50 Betriebsstunden	Alle 6 Monate oder 100 Betriebsstunden	Alle 12 Monate oder 300 Betriebsstunden
PRODUKTE						
• Motoröl	Füllstand prüfen	0				
	Auswechseln		0		0	
• Luftfilter	Prüfen	0				
	Reinigen			0 (1)		
	Ersetzen					
• Filterbecher	Reinigen				0	
• Zündkerze	Prüfen, reinigen				0	
	Ersetzen					0*
• Funkenfänger (optional)	Reinigen				0	
• Leerlauf	Prüfen, einstellen					0 (2)
• Ventilspiel	Prüfen, einstellen					0 (2)
• Kraftstoffbehälter und -filter	Reinigen					0 (2)
• Brennraum	Reinigen			Alle 300 Betriebsstunden (2)		
• Kraftstoffleitung	Prüfen			Alle 2 Jahre (ggf. ersetzen) (2)		

### • Auspuffteile

\* Nur den Papierelementtyp ersetzen

(1) Bei Einsatz in staubigen Bereichen häufiger warten.

(2) Diese Bauteile sollten von Ihrem Service-Händler gewartet werden, es sei denn, Sie verfügen über die geeigneten Werkzeuge und die entsprechenden Sachkenntnisse. Für die Wartungsanweisungen wird auf das Handbuch verwiesen.

## KRAFTSTOFF NACHFÜLLEN

Inhalt des Kraftstoffbehälters

152F: 1,4 l

Bei abgestelltem Motor den Kraftstoffbehälterdeckel entfernen und den Füllstand kontrollieren. Bei niedrigem Füllstand Kraftstoff nachfüllen.



### WARNUNG

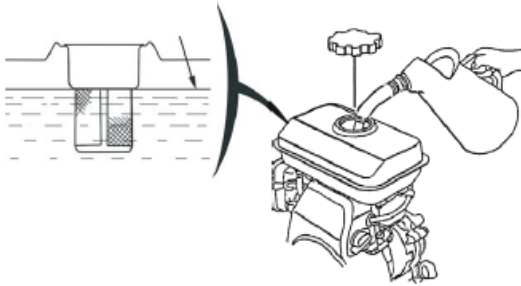
Benzin ist hoch entzündlich und explosionsgefährlich. Bei der Handhabung von Kraftstoff können Sie sich Verbrennungen oder sonstige schwere Verletzungen zuziehen

Den Motor abstellen und von Hitze, Funken und offenem Feuer fernhalten.

Kraftstoff nur im Freien handhaben.

Ausgelaufenen Kraftstoff sofort aufwischen

## Max. Kraftstoffüllhöhe



In einem ausreichend belüfteten Bereich und vor dem erneuten Starten des Motors nachfüllen. War der Motor in Betrieb, abkühlen lassen. Beim Einfüllen des Kraftstoffs vorsichtig vorgehen, damit nichts verschüttet wird. Den Kraftstoffbehälter nur bis zur Wand des Kraftstofffilters füllen. Nach dem Nachfüllen den Kraftstoffbehälterdeckel wieder fest verschließen.

Kraftstoff niemals in einem Gebäude nachfüllen, wenn die Benzindämpfe offenes Feuer oder Funken erreichen könnten. Benzin von Zündflammen, Grills, Elektrogeräten, Elektrowerkzeugen usw. fernhalten. Ausgelaufener/ verschütteter Kraftstoff stellt nicht nur eine Brandgefahr dar, sondern schädigt auch die Umwelt. Ausgelaufenen Kraftstoff sofort aufwischen

### HINWEIS

Kraftstoff kann Lacke und Kunststoffe beschädigen. Beim Füllen des Kraftstoffbehälters aufpassen, dass nichts verschüttet wird. Für aufgrund ausgelaufenen Kraftstoffs hervorgerufene Schäden gilt die Garantie nicht.

### ZU VERWENDENDER KRAFTSTOFF

#### **Verwenden Sie bleifreies Benzin mit einer Zapfsäulen-Oktanzahl von mindestens 86.**

Diese Motoren sind für den Betrieb mit bleifreiem Benzin zertifiziert. Bleifreies Benzin erzeugt weniger Ablagerungen im Motor und an der Zündkerze und erhöht die Lebensdauer des Auspuffsystems.

Benutzen Sie niemals altes oder verunreinigtes Benzin oder eine Öl-Benzin-Mischung. Sorgen Sie dafür, dass weder Schmutz noch Wasser in den Kraftstoffbehälter gelangen.

Gelegentlich ist beim Betrieb unter starker Beanspruchung vielleicht ein leichtes Motorklopfen (ein metallisches Klopfgeräusch) wahrzunehmen. Dies stellt keinen Grund zur Besorgnis dar.

Wenn das Motorklopfen bei konstanter Motordrehzahl unter normaler Last auftritt, wechseln Sie die Benzinmarke. Hält das Motorklopfen an, wenden Sie sich an einen autorisierten Service-Händler.

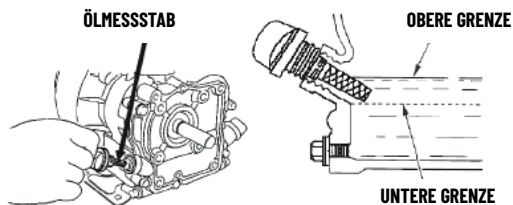
### HINWEIS

Der Betrieb des Motors bei anhaltendem Motorklopfen kann Geräteschäden hervorrufen.

Der Betrieb des Motors bei anhaltendem Motorklopfen gilt als unsachgemäßer Gebrauch, und in diesem Fall verliert die beschränkte Garantieleistung des Händlers ihre Gültigkeit in Bezug auf die durch unsachgemäßen Gebrauch hervorgerufenen Schäden.

### KONTROLLE DES MOTORÖLFÜLLSTANDS

Prüfen Sie den Motorölstand bei abgestelltem Motor und positionieren Sie das Gerät hierzu auf einer ebenen Fläche  
1. Entfernen Sie den Einfüllstopfen/Ölmesstab und säubern sie ihn mit einem Tuch.



2. Führen Sie den Ölmesstab ein, ohne ihn im Einfüllstutzen festzuschrauben, und ziehen Sie ihn wieder heraus. Kontrollieren Sie den Ölstand am Messstab.
3. Bei niedrigem Ölstand füllen Sie Öl der empfohlenen Sorte bis zum Rand des Einfüllstutzens ein.
4. Schrauben Sie den Einfüllstopfen/Ölmesstab wieder fest

### HINWEIS

Der Betrieb des Motors bei niedrigem Ölstand kann Motorschäden hervorrufen

Das Ölwarnsystem (nur bei den entsprechenden Geräteausführungen) stoppt den Motor automatisch, bevor der Ölstand unter den Sicherheitspegel fällt. Prüfen Sie jedoch den Motorölstand vor der Inbetriebnahme, um Probleme aufgrund unerwarteter Stillsetzung zu vermeiden

### MOTORÖLWECHSEL

Lassen Sie das Altöl bei warmem Motor ab. Warmes Öl fließt schnell und vollständig ab.

1. Platzieren Sie einen geeigneten Behälter unter dem Motor, um das Altöl aufzufangen, und entfernen Sie anschließend den Einfüllstopfen/Ölmesstab und den Ablasstopfen.
2. Lassen Sie das Öl komplett abfließen und setzen Sie dann den Ablasstopfen wieder ein und schrauben Sie ihn fest. Please dispose of used motor oil in a manner that is compatible with the environment. Altöl muss unbedingt sachgerecht entsorgt werden! Am besten füllen Sie das Öl in einen dicht verschlossenen Behälter und geben es bei einer Recyclingstelle oder einer Tankstelle ab. Entsorgen Sie Altöl nicht mit dem Hausmüll und gießen Sie es nicht auf den Boden oder in den Abfluss.
3. Platzieren Sie den Motor auf einer ebenen Fläche und füllen Sie Öl der empfohlenen Sorte bis zum äußeren Rand des Einfüllstutzens ein.

Motorölinhalt:

0.48 US qt (0.45L)

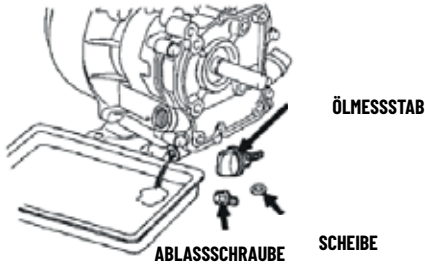
Der Betrieb des Motors bei niedrigem Ölstand kann Motorschäden hervorrufen.

Das Ölwarnsystem (nur bei den entsprechenden Geräteausführungen) stoppt den Motor automatisch, bevor der Ölstand unter den Sicherheitspegel fällt.

Um Probleme aufgrund unerwarteter Stillsetzung zu vermeiden, füllen Sie Öl bis zum maximalen Pegel ein und prüfen Sie den Ölstand regelmäßig.

4. Schrauben Sie den Einfüllstopfen/Ölmesstab wieder fest.





### WARTUNG DES MOTORENGINE ZU VERWENDENDENES MOTORÖL

Öl ist der wichtigste Faktor, der Leistung und Lebensdauer des Motors beeinflusst. Verwenden Sie Reinigungsöl für Kfz-4-Takt-Motoren.

Für die allgemeine Nutzung wird Öl der Sorte SAE 10W-30 empfohlen. Öle mit einem Viskositätsgrad, der von dem in der Tabelle angegebenen Wert abweicht, können eingesetzt werden, wenn die durchschnittliche Temperatur am Einsatzort innerhalb des empfohlenen Bereichs liegt.

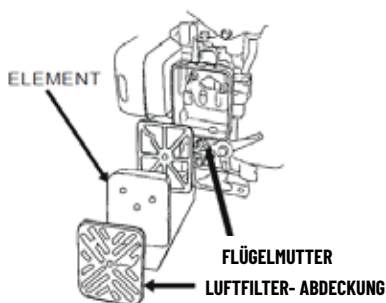


Die Viskosität von SAE-Öl und die Betriebseinstufung sind auf dem API-Etikett am Ölbehälter angegeben. Wir empfehlen die Verwendung von Öl der Sorte API SERVICE, Klasse SE oder SF.

### INSPEKTION DES LUFTFILTERS

Entfernen Sie die Abdeckung des Luftfilters und inspizieren Sie den Filter. Verschmutzte Filterelemente müssen gereinigt oder ersetzt werden. Beschädigte Filterelemente sind stets auszuwechseln. Ist das Gerät mit einem Ölbad-Luftfilter ausgestattet, ist auch der Ölstand zu

DE



### WARTUNG DES LUFTFILTERS

Ein verschmutzter Luftfilter behindert die Luftströmung zum Vergaser und reduziert die Motorleistung. Wenn Sie den Motor in sehr staubigen Bereichen einsetzen, muss der Filter in kürzeren Abständen als den im WARTUNGSPLAN angegebenen Intervallen gereinigt werden.

### HINWEIS

Der Betrieb des Motors bei niedrigem Ölstand kann Motorschäden hervorrufen

Das Ölwarnsystem (nur bei den entsprechenden Geräteausführungen) stoppt den Motor automatisch, bevor der Ölstand unter den Sicherheitspegel fällt. Prüfen Sie jedoch den Motorölstand vor der Inbetriebnahme, um Probleme aufgrund unerwarteter Stillsetzung zu vermeiden

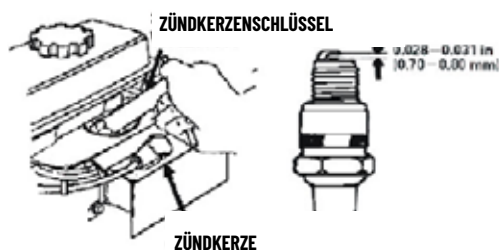
### WARTUNG DER ZÜNDKERZE

Empfohlene Zündkerzen: E5T oder gleichwertige Modelle.

### HINWEIS

Eine falsche Zündkerze kann zu Motorschäden führen

1. Den Zündkerzenstecker abnehmen und den gesamten Schmutz aus dem Zündkerzenbereich entfernen.
2. Die Zündkerze mit einem Zündkerzenschlüssel entfernen



3. Die Zündkerze inspizieren. Sind die Elektroden abgenutzt oder weist der Isolator Risse oder sonstige Beschädigungen auf, muss die Zündkerze ersetzt werden. or chipped.

4. Den Elektrodenabstand der Zündkerze mit einer entsprechenden Lehre messen.

Der Abstand muss 0,70 bis 0,80 mm betragen. Den Abstand ggf. justieren, hierzu die seitliche Elektrode vorsichtig verschieben.

5. Die Zündkerze vorsichtig von Hand einschrauben, um verkantetes Einschrauben zu vermeiden.

6. Nach dem Einsetzen die Zündkerze mit einem Zündkerzenschlüssel festziehen, um das Wasser zusammenzudrücken.

Wird die alte Zündkerze wieder eingesetzt, zum Festschrauben nach dem Einsetzen um eine Achtel- bis eine Viertel-drehung drehen.

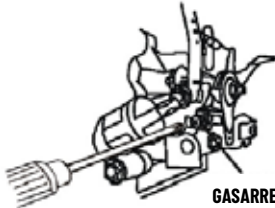
Wird eine neue Zündkerze eingesetzt, zum Festschrauben nach dem Einsetzen um eine halbe Drehung drehen.

**HINWEIS**

Eine locker sitzende Zündkerze kann zu Überhitzung und Motorschäden führen.  
 Wird die Zündkerze zu fest angezogen, kann das Zylinderkopfgewinde beschädigt werden.  
 7. Den Zündkerzenstecker wieder einsetzen.

**REGULIERUNG DES LEERLAUFS**

1. Den Motor im Freien starten und bis auf Betriebstemperatur warmlaufen lassen.
2. Den Gashebel auf die unterste Position stellen.
3. Die Gashebelschraube so lang drehen, bis die Standardleerlaufdrehzahl erreicht ist.  
 Standardleerlaufdrehzahl:  $2200 \pm 150 \text{ min}^{-1}$

**GASARRETIER-SCHRAUBE**

## KAPITEL 7

### LAGERUNG/TRANSPORT

---

**LAGERUNG DES MOTORS**

Vorbereitung zur Lagerung

Die ordnungsgemäße Vorbereitung für die Einlagerung ist wichtig, damit der einwandfreie Zustand und die Funktionstüchtigkeit Ihres Motors aufrechterhalten werden. Durch die Beachtung der folgenden Anweisungen schützen Sie Ihren Motor vor Rost und Korrosion, erhalten dessen einwandfreien Betrieb und Funktionstüchtigkeit und sorgen dafür, dass der Motor nach der Lagerung wieder problemlos startet.

**REINIGUNG**

War der Motor in Betrieb, lassen Sie ihn vor der Reinigung mindestens eine halbe Stunde lang abkühlen. Reinigen Sie alle Außenflächen, bessern Sie beschädigte Lackflächen aus und beschichten Sie rostanfällige Bereiche mit einem dünnen Ölfilm.

**HINWEIS**

Bei der Verwendung eines Gartenschlauchs oder eines Hochdruckreinigers kann Wasser in den Luftfilter oder die Öffnung des Auspufftopfs gelangen. Wasser im Luftfilter durchtränkt das Filterelement und Wasser, das durch den Luftfilter oder den Auspufftopf strömt, kann in den Zylinder gelangen und Schäden hervorrufen.

Beim Kontakt mit heißen Teilen kann Wasser Schäden verursachen. War der Motor in Betrieb, lassen Sie ihn vor der Reinigung mindestens eine halbe Stunde lang abkühlen.

## KRAFTSTOFF

Benzin oxidiert während der Lagerung und seine Qualität wird vermindert. Altes Benzin verursacht Startschwierigkeiten und bewirkt Gummiablagerungen, die das Kraftstoffsystem verstopfen. Wenn sich die Qualität des in Ihrem Motor enthaltenen Benzins während der Lagerung verschlechtert, müssen der Vergaser und sonstige Kraftstoffsystemkomponenten gewartet oder ersetzt werden.

Wie lang das Benzin in Ihrem Kraftstoffbehälter und im Vergaser bleiben kann, ohne Probleme beim Betrieb zu verursachen, hängt von mehreren Faktoren wie Benzinmischung, Lagerungstemperatur und Füllstand im Behälter (vollständig oder teilweise gefüllt) ab. Die in einem halb gefüllten Behälter enthaltene Luft beschleunigt die Qualitätsminderung. Dies gilt auch bei sehr hohen Lagerungstemperaturen. Probleme im Hinblick auf die Qualitätsminderung des Kraftstoffs können innerhalb von ein paar Monaten oder sogar schneller eintreten, wenn das Benzin beim Einfüllen in den Behälter nicht frisch war.

Schäden am Kraftstoffsystem oder Probleme bei der Motorleistung, die auf nachlässige Vorbereitung zur Lagerung zurückzuführen sind, werden nicht von der beschränkten Händlergarantie abgedeckt.

Sie können die Lagerbeständigkeit des Kraftstoffs verlängern, indem Sie einen ausdrücklich zu diesem Zweck entwickelten Kraftstoffstabilisator hinzufügen, oder Sie vermeiden Probleme durch die Qualitätsminderung einfach, indem Sie den Kraftstoffbehälter und den Vergaser entleeren.

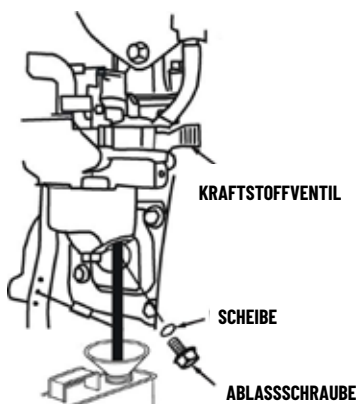
### HINZUFÜGEN EINES KRAFTSTOFFSTABILISATORS ZUR VERLÄNGERUNG DER LAGERBESTÄNDIGKEIT DES KRAFTSTOFFS

Wenn Sie einen Kraftstoffstabilisator hinzufügen, füllen Sie den Behälter mit frischem Benzin. Ist der Behälter nur halb voll, beschleunigt die darin enthaltene Luft die Qualitätsminderung des Kraftstoffs während der Lagerung. Wenn Sie einen Reservekanister mit Benzin zum Nachfüllen aufbewahren, stellen Sie sicher, dass der Kanister nur frisches Benzin enthält.

1. Beachten Sie beim Hinzufügen des Kraftstoffstabilisators die Anweisungen des Herstellers.
2. Nach dem Hinzufügen des Kraftstoffstabilisators lassen Sie den Motor im Freien 10 Minuten lang laufen, um sicherzustellen, dass das nicht angereicherte Benzin im Vergaser durch angereichertes Benzin ersetzt wurde.
3. Stellen Sie den Motor ab und stellen Sie das Kraftstoffventil auf "OFF"

### ENTLEEREN DES KRAFTSTOFFBEHÄLTERS UND DES VERGASERS

1. Stellen Sie einen zugelassenen Benzinkanister unter den Vergaser und benutzen Sie einen Trichter, um zu vermeiden, dass Kraftstoff verschüttet wird.
2. Nehmen Sie die Vergaserablassschraube und den Filterbecher ab und stellen Sie den Kraftstoffventilhebel auf "ON"



3. Nachdem der gesamte Kraftstoff in den Behälter abgeflossen ist, setzen Sie die Ablassschraube und den Filterbecher wieder ein und ziehen Sie sie gut fest.

### **HINWEISE ZUR LAGERUNG**

1. Wechseln Sie das Motoröl.
2. Entfernen Sie die Zündkerzen.
3. Füllen Sie einen Esslöffel sauberes Motoröl (5 bis 10 cc) in den Zylinder.
4. Ziehen Sie den Reversierstarter mehrmals, um das Öl im Zylinder zu verteilen.
5. Setzen Sie die Zündkerzen wieder ein.
6. Ziehen Sie vorsichtig den Reversierstarter, bis Sie einen Widerstand spüren. Damit werden die Ventile geschlossen, sodass keine Feuchtigkeit in den Motorzylinder eindringen kann. Führen Sie den Starterseilzug vorsichtig zurück.

Wenn Sie Ihren Motor mit gefülltem Kraftstoffbehälter und Vergaser lagern, muss die Gefährdung durch Zündung der Benzindämpfe unbedingt reduziert werden. Wählen Sie für die Lagerung einen gut belüfteten Bereich mit ausreichender Entfernung zu mit Flammen betriebenen Geräten wie Öfen, Warmwasserbereiter oder Wäschetrockner. Außerdem Bereiche vermeiden, in denen sich ein funkenerzeugender Elektromotor befindet oder Elektrowerkzeuge verwendet werden.

Vermeiden Sie zudem Lagerbereiche mit einem hohen Feuchtigkeitsgehalt, denn dies fördert die Rost- und Korrosionsbildung.

Es sei denn, der gesamte Kraftstoff wurde aus dem Kraftstoffbehälter entleert, den Kraftstoffventilhebel auf AUS lassen, um Kraftstofflecks zu vermeiden.

Das Gerät so positionieren, dass der Motor eben liegt. Bei gekippter Lagerung könnten Kraftstoff oder Öl austreten. Sicherstellen, dass der Motor und das Abgassystem abgekühlt sind, und den Motor abdecken, um ihn vor Staub zu schützen. Ein heißer Motor oder ein heißes Abgassystem können Materialien entzünden oder zum Schmelzen bringen. Als Staubschutz keine Kunststoffabdeckungen oder -planen verwenden. Eine luftundurchlässige Abdeckung lässt die Feuchtigkeit rund um den Motor stauen und fördert die Rostbildung und Korrosion.

Ist das Gerät mit einem Akku für einen Elektrostarter ausgerüstet, muss dieser während der Lagerzeit des Motors einmal pro Monat aufgeladen werden. Dies verlängert die Lebensdauer des Akkus.

### **AUSLAGERUNG**

Prüfen Sie den Motor gemäß der Beschreibung im Kapitel „KONTROLLE VOR DER INBETRIEBNAHME“.

Wurde der Kraftstoff vor der Lagerung entleert, den Behälter mit frischem Benzin füllen. Wenn Sie einen Reservekanister mit Benzin zum Nachfüllen aufbewahren, stellen Sie sicher, dass der Kanister nur frisches Benzin enthält. Benzin oxidiert mit der Zeit und seine Qualität verschlechtert sich, was zu Startschwierigkeiten führt.

Wurden die Zylinder vor der Lagerung mit Öl beschichtet, kann sich beim Start des Motors kurzzeitig Rauch entwickeln. Das ist normal.

### **TRANSPORT**

War der Motor in Betrieb, lassen Sie ihn mindestens 15 Minuten lang abkühlen, bevor Sie das über den Motor angetriebene Gerät auf das Transportfahrzeug laden. Ein heißer Motor oder ein heißes Abgassystem können Ihnen Verbrennungen verursachen oder bestimmte Materialien entzünden.

Achten Sie darauf, dass der Motor beim Transport eben liegt, damit kein Kraftstoff austreten kann. Stellen Sie den Kraftstoffventilhebel auf AUS.

## KAPITEL 8

### FEHLERBEHEBUNG

MOTOR STARTET NICHT	MÖGLICHE URSACHE	ABHILFE
Elektrostart: Akku prüfen	Akku leer	Akku aufladen
Position der Bedienelemente kontrollieren	Kraftstoffventil AUS	Hebel auf EIN stellen
	Starter OFFEN	Hebel auf GESCHLOSSEN stellen, es sei denn, der Motor ist warm
	Motorschalter OFF	Motorschalter auf ON stellen
Kraftstoff prüfen	Kein Kraftstoff	Nachfüllen
	Kraftstoff minderwertig; Motor gelagert ohne Behandlung oder Entleerung des Benzins oder mit	Drain fuel tank and carburetor. Refuel with fresh gasoline.
Zündkerzen ausbauen und inspizieren	Zündkerzen fehlerhaft, verschmutzt oder Abstand nicht korrekt.	Korrekten Abstand herstellen oder Zündkerzen ersetzen.
	Zündkerzen mit Kraftstoff getränkt (Motor geflutet).	Zündkerzen ausbauen, trocknen und wieder einbauen. Motor mit Gashebel auf HOHER DREHZAHL starten.
Motor zu einem autorisierten Service-Händler bringen oder im Handbuch nachschlagen.	Kraftstofffilter verstopft, Betriebsstörung des Vergasers. Zündung fehlerhaft, Ventil verklebt usw.	Fehlerhafte Komponenten ggf. ersetzen

MOTORLEISTUNG ZU GERING	MÖGLICHE URSACHE	ABHILFE
Luftfilter prüfen.	Filterelement(e) verstopft.	Filterelement(e) ersetzen.
Kraftstoff prüfen	Kein Kraftstoff	Nachfüllen
	Kraftstoff minderwertig; Motor gelagert ohne Behandlung oder Entleerung des Benzins oder mit minderwertigem Kraftstoff gefüllt.	Kraftstoffbehälter und Vergaser entleeren. Mit frischem Benzin füllen.
Motor zu einem autorisierten Service-Händler bringen oder im Handbuch nachschlagen.	Kraftstofffilter verstopft, Betriebsstörung des Vergasers, Zündung fehlerhaft, Ventil verklebt usw.	Fehlerhafte Komponenten ggf. ersetzen

## KAPITEL 9

### TECHNISCHE INFORMATIONEN UND HINWEISE FÜR DEN BENUTZER

#### TECHNISCHE INFORMATIONEN

Position der Seriennummer



MOTORTYP/  
SERIENNUMMER

Die Seriennummer des Motors in den Bereich unten eintragen. Sie benötigen diese Seriennummer zur Bestellung von Ersatzteilen, bei der Anforderung von Serviceeinsätzen oder bei der Beanspruchung der Garantie.  
 Seriennummer des Motors: \_\_\_\_\_

#### Änderung des Vergasers bei Betrieb in hoher Höhenlage

Beim Betrieb in hoher Höhenlage ist das Standard-Luft-Kraftstoff-Gemisch des Vergasers zu fett. Die Leistung nimmt ab und der Kraftstoffverbrauch erhöht sich. Ein sehr fettes Gemisch führt auch zur Verschmutzung der Zündkerze und zu Startschwierigkeiten. Der langfristige Betrieb in einer Höhe, die von den Werten abweicht, für die der Motor zertifiziert wurde, kann die Abgasemissionen erhöhen.

Die Leistung in hoher Höhenlage kann durch spezielle Änderungen am Vergaser optimiert werden. Wenn Sie Ihren Motor immer in einer Höhe über 1500 m benutzen, lassen Sie diese Änderungen am Vergaser von Ihrem Service-Händler durchführen. Beim Betrieb in hoher Höhenlage mit den für diesen Einsatz vorgesehenen Änderungen am Vergaser wird dieser Motor während seiner gesamten Lebensdauer den Vorgaben jeder Abgasnorm gerecht. Auch bei am Vergaser durchgeführten Änderungen nimmt die Motorleistung um zirka 3,5 % je 300 m Höhensteigerung ab. Die Wirkung der Höhe auf die Leistung nimmt zu, wenn keine Veränderungen am Vergaser vorgenommen werden.

#### HINWEIS

Wenn der Vergaser für den Betrieb in hoher Höhenlage eingerichtet wurde, ist das Luft-Kraftstoff-Gemisch zu dünn für den Betrieb in einer niedrigeren Höhenlage. Der Betrieb mit einem geänderten Vergaser in Höhenlagen unter 1500 m kann die Überhitzung des Motors bewirken und zu schweren Maschinenschäden führen. Für den Betrieb in niedrigen Höhenlagen beauftragen Sie Ihren Service-Händler, den ursprünglichen Werkzustand des Vergasers wiederherzustellen.

#### JUSTIERUNG DES MOTORS

GEGENST	WERTE
Elektrodenabstand der Zündkerze	0.028-0.031 in (0.70-0.80 mm)
Ventilspiel	IN: 0.10 0.02 mm (kalt) EX: 0.15 0.02 mm (kalt)
Sonstige Spezifikationen	Weitere Einstellungen sind nicht notwendig.

#### BENUTZERINFORMATIONEN

##### Publikationen

Diese Publikationen bieten Ihnen zusätzliche Informationen zur Wartung und Reparatur Ihres Motors. Sie können sie bei Ihrem Motorenhändler bestellen.

##### Ersatzteilkatalog

Dieses Handbuch enthält eine komplette bebilderte Ersatzteilliste.

**SCHNELLÜBERSICHT**

MOTORÖL	TYP	SAE 10W-30,API SJ FÜR DEN ALLGEMEINEN GEBRAUCH
	Inhalt	0,45 l
Zündkerze	Typ	E5T oder gleichwertige Modelle
	Elektrodenabstand	0,70 bis 0,80 mm
Vergaser	Leerlauf	2200/150 U/min
Wartung	Bei jedem Gebrauch	Motoröl kontrollieren Luftfilter prüfen
	Nach den ersten 20 Betriebsstunden	Motorölwechsel
	anschließende Wartungsintervalle	Siehe „Wartung“

## KAPITEL 10

### TECHNISCHE DATEN

MODELL	HYDROBLASTER 2.5 HIGH PRESSURE
Typ	1-Zylinder-4-Takt-Motor, luftgekühlt,
Nennleistung (kW/3600 min <sup>-1</sup> )	SV
Max. Drehmoment (Nm/min-1)	1,2
Kraftstoffverbrauch (g/kWh)	4,0 Nm/2500 min <sup>-1</sup>
Leerlaufdrehzahl (min <sup>-1</sup> )	<435
Drehzahlschwankung	2200 ± 150
Hub-Bohrungs-Verhältnis (mm)	<10 %
Schalldruck	80 dB(A)
Verdrängung (cc)	52 x 46
Verdichtungsverhältnis	97cc
Schmierung	5,6: 1
Start	Spritzschmierung
Drehung	Reversierstarter
Elektrodenabstand der Zündkerze (mm)	Gegen den Uhrzeigersinn (abtriebsseitig)
Zündung	0,7 bis 0,8 mm
Luftfilter	Transistor-Spulenzündung
	halb trocken



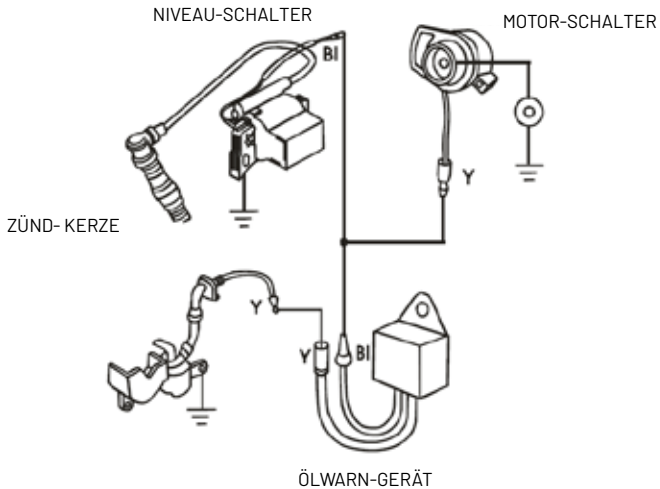
NR.	TYP	HYDROBLASTER 2.5 HIGH PRESSURE
Wasserpumpe	Länge (mm)	410
	Breite (mm)	295
	Höhe (mm)	370
	Gewicht (kg)	13
	Saugstutzendurchmesser	33,25 mm
	Druckstutzendurchmesser	33,25 mm
	Max. Saughöhe (m)	6
	Max. Druckhöhe (m)	36
	Max. Fördermenge (m <sup>3</sup> /h)	7

## KAPITEL 11

### MOTOR MIT ÖLWARNUNG UND OHNE ELEKTROSTART

Bl	BLACK (Schwarz)
Y	YELLOW (Gelb)

#### TRANSISTOR-SPULENZÜNDUNG



## KAPITEL 12

### BETRIEB

---

#### ANWEISUNGEN FÜR DEN SICHEREN BETRIEB

Um das volle Potenzial dieser Pumpe sicher auszuschöpfen, müssen Sie sich mit deren Betrieb in vollem Umfang vertraut machen und eine gewisse Übung bei der Bedienung erlangen.

Bevor Sie die Pumpe zum ersten Mal in Betrieb nehmen, lesen Sie die WICHTIGEN SICHERHEITSHINWEISE auf Seite 9 und das Kapitel KONTROLLEN VOR DER INBETRIEBNAHME durch.

Zu Ihrer Sicherheit starten oder betreiben Sie den Motor nicht in einem abgeschlossenen Raum wie einer Garage.

Die Auspuffgase Ihres Motors enthalten giftiges Kohlenmonoxidgas, das sich schnell in einem geschlossenen Bereich ansammeln und zu körperlichen Schäden oder zum Tod führen kann.

Ausschließlich Frischwasser pumpen, das nicht für den menschlichen Gebrauch bestimmt ist. Das Pumpen von entzündlichen Stoffen wie Benzin oder Kraftstoffölen kann zu Brand oder Explosion und somit zu schweren Verletzungen führen. Das Pumpen von Meerwasser, Getränken, Säuren, Chemikalien oder sonstigen ätzenden Stoffen kann die Pumpe beschädigen.

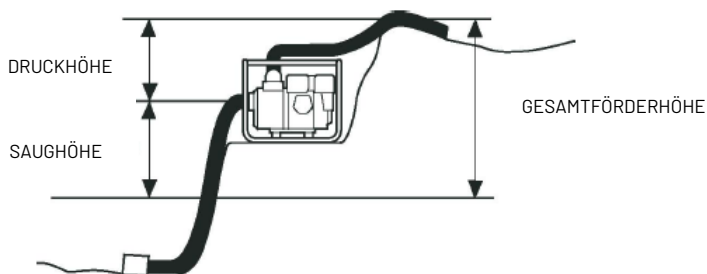
#### AUFSTELLEN DER PUMPE

Um optimale Leistungen zu erzielen, stellen Sie die Pumpe in der Nähe des Wasserpegels auf und halten Sie die Schläuche so kurz wie möglich. Dies ermöglicht Ihrer Pumpe bestmögliche Leistungen bei kürzester Selbstansaugungszeit.

Mit zunehmender Saughöhe (Pumphöhe) nimmt die Pumpenleistung ab. Länge, Typ und Abmessungen der Saug- und Druckschläuche können die Pumpenleistung erheblich beeinflussen.

Die Fördermenge auf der Druckseite ist immer größer als die auf der Saugseite. Daher muss die Saughöhe den geringeren Teil der Gesamtförderhöhe ausmachen.

Die Reduzierung der Saughöhe auf ein Mindestmaß (indem die Pumpe in der Nähe des Wasserpegels aufgestellt wird) ist grundlegend, um die Selbstansaugungszeit zu verringern. Die Selbstansaugungszeit ist die Zeit, die die Pumpe benötigt, um das Wasser während der Anfangsphasen des Betriebs auf die Saughöhe zu fördern.



## MONTAGE DER SAUGLEITUNG

Benutzen Sie einen handelsüblichen Schlauch mit Schlauchanschluss und die im Lieferumfang der Pumpe enthaltene Schlauchschelle. Der Saugschlauch muss mit einer nicht zusammenfallenden Wand oder einer geflochtenen Wandkonstruktion verstärkt sein.

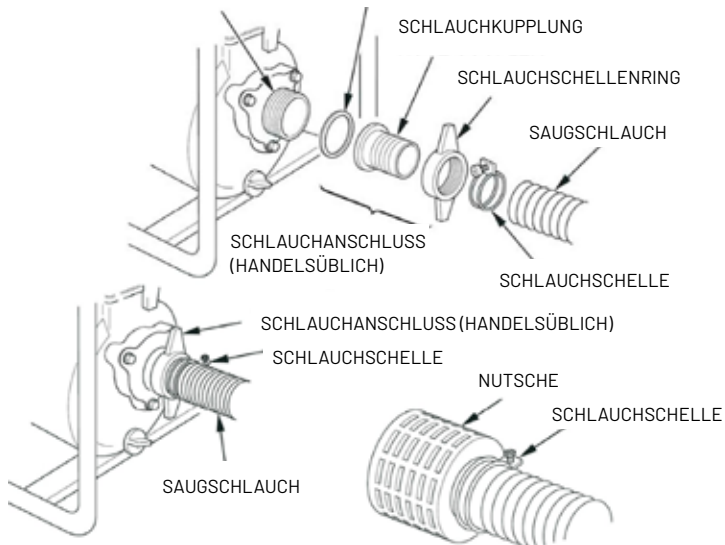
Keine Schläuche verwenden, die kleiner sind als die Saugstutzengröße. Mindestschlauchabmessungen: HYDROBLASTER 2.5 High Pressure = 33,25 mm

Der Saugschlauch darf nicht länger als nötig sein. Eine optimale Pumpenleistung wird erzielt, wenn die Pumpe in der Nähe des Wasserpegels aufgestellt wird und ein möglichst kurzer Schlauch verwendet wird.

Verwenden Sie eine Schlauchschelle, um den Schlauchanschluss am Saugschlauch zu befestigen und zu vermeiden, dass Luft entweicht und eine Reduzierung der Saugleistung auftritt. Prüfen Sie den einwandfreien Zustand der Dichtscheibe des Schlauchanschlusses.

Montieren Sie den (im Lieferumfang der Pumpe enthaltenen) Filter am anderen Ende des Saugschlauchs und sichern Sie ihn mit einer Schlauchschelle. Der Filter verhindert, dass die Pumpe verstopft oder durch Schmutz beschädigt wird.

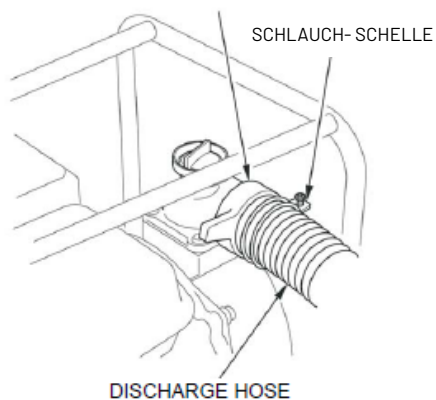
Befestigen Sie den Schlauchanschluss gut am Saugstutzen der Pumpe.



## DISCHARGE HOSE INSTALLATION

Benutzen Sie einen handelsüblichen Schlauch mit Schlauchanschluss und die im Lieferumfang der Pumpe enthaltene Schlauchschelle. Verwenden Sie am besten einen kurzen Schlauch mit großem Durchmesser, denn das reduziert die Flüssigkeitsreibung und verbessert die Pumpenleistung. Ein langer Schlauch oder einer mit kleinem Durchmesser erhöht die Flüssigkeitsreibung und reduziert die Pumpenleistung. Ziehen Sie die Schlauchschelle gut fest, um zu vermeiden, dass sich der Druckschlauch unter Druck löst.

### SCHLAUCH- ANSCHLUSS



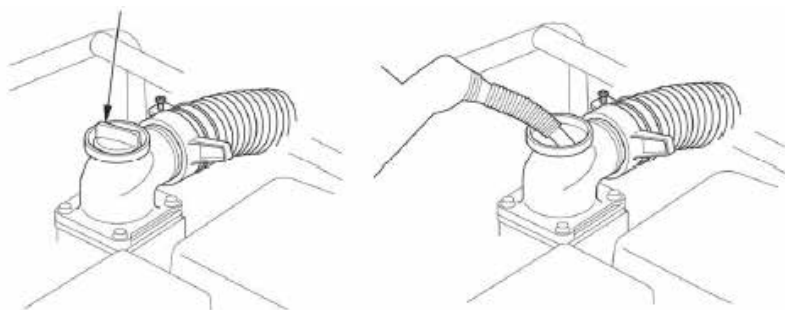
### ANSAUGEN DER PUMPE

Bevor Sie den Motor starten, entfernen Sie den Einfüllstopfen vom Pumpenraum und füllen Sie den Pumpenraum vollständig mit Wasser. Setzen Sie den Einfüllstopfen wieder ein und ziehen Sie ihn gut fest.

### HINWEIS

Beim Trockenlauf der Pumpe werden die Dichtungselemente zerstört. Wurde die Pumpe im Trockenlauf betrieben, den Motor unverzüglich stoppen und die Pumpe vor dem Ansaugen abkühlen lassen.

### ANSAUGWASSEREIN- FÜLLSTOPFEN



# TABLE DES MATIÈRES

CHAPITRE	DESCRIPTION	PAGE
1	INFORMATION	51
2	COMPONENT	53
3	COMMANDES	54
4	VÉRIFICATIONS AVANT L'UTILISATION	56
5	UTILISATION	57
6	ENTRETIEN	61
7	REMISAGE / TRANSPORT	67
8	DÉPANNAGE	70
9	INFORMATIONS TECHNIQUES & RENSEIGNEMENTS CONSOMMATEUR	70
10	CARACTÉRISTIQUES	72
11	TYPE DE MOTEUR AVEC SYSTÈME DE SÉCURITÉ NIVEAU D'HUILE ET SANS ALLUMAGE ÉLECTRIQUE	73

## CHAPITRE 1 INFORMATION

Nous vous remercions d'avoir acheté une pompe à eau. Ce manuel présente toutes les informations et caractéristiques en vigueur au moment de l'impression. Ce manuel ne peut être reproduit, en tout ou partie, sans autorisation écrite. Ce manuel doit être considéré comme partie intégrante de la pompe et il doit l'accompagner en cas de revente. Les illustrations du manuel se basent sur le modèle : HYDROBLASTER 2.5 HP. Les illustrations peuvent varier en fonction du modèle. Garder ce manuel d'utilisation à portée de main pour pouvoir le consulter à tout moment. Ce manuel d'utilisation doit être considéré comme partie intégrante de la pompe à eau et il doit l'accompagner en cas de revente. En cas de problèmes ou de questions sur la pompe, s'adresser au distributeur agréé. Votre sécurité et celle des autres personnes sont très importantes. Utiliser cette pompe à eau en toute sécurité implique une grande responsabilité. Pour vous aider à prendre des décisions sur le thème de la sécurité en toute connaissance de cause, nous avons retranscrit les procédures d'utilisation et toutes les informations supplémentaires sur des étiquettes et dans ce manuel. Ces informations vous avertissent des dangers potentiels qui peuvent vous blesser ou blesser les autres personnes. Il est bien entendu impossible de vous avertir de tous les dangers liés à l'utilisation ou à l'entretien d'une pompe à eau. Il vous incombe de faire preuve de bon sens. D'importantes informations sur la sécurité sont données sous des formes variées, y compris : des étiquettes de sécurité sur la pompe. des messages de sécurité précédés par un pictogramme d'avertissement et un des trois mots DANGER, AVERTISSEMENT ou ATTENTION. Ces mots signifient :

- si vous ne vous conformez pas à ces instructions, vous SEREZ TUÉ ou GRAVEMENT BLESSÉ.
- si vous ne vous conformez pas à ces instructions, vous RISQUEZ d'être TUÉ OU GRAVEMENT BLESSÉ.
- si vous ne vous conformez pas à ces instructions, vous RISQUEZ d'être BLESSÉ.
- si vous ne vous conformez pas à ces instructions, votre pompe et les autres biens matériels pourraient être endommagés. des sections de sécurité, comme INFORMATION DE SÉCURITÉ. IMPORTANTE. un paragraphe sécurité, comme SÉCURITÉ DE LA POMPE. des instructions pour bien utiliser cette pompe en toute sécurité. Ce manuel contient d'importantes informations sur la sécurité. Il doit être lu avec attention.

## INFORMATIONS DE SÉCURITÉ IMPORTANTES

Les pompes sont conçues pour ne pomper que de l'eau non destinée à la consommation humaine. Toute autre utilisation peut blesser l'opérateur ou endommager la pompe et les autres biens matériels. Toujours contrôler la pompe avant de la faire fonctionner et d'allumer son moteur. Un accident ou un dommage matériel peut ainsi être évité.

La plupart des accidents peuvent être évités si les instructions contenues dans de ce manuel et présentes sur la pompe sont respectées. Veuillez trouver ci-dessous la liste des dangers les plus communs et les modes de protection les plus efficaces pour vous-même et toute tierce personne.

### RESPONSABILITÉ DE L'OPÉRATEUR

Il incombe à l'opérateur de fournir les systèmes de protection nécessaires pour protéger les personnes et les biens matériels. En cas d'urgence, savoir comment arrêter la pompe rapidement. Si la pompe est sans surveillance pour une raison quelconque, toujours éteindre le moteur. Comprendre l'utilisation de toutes les commandes et de tous les raccordements. S'assurer que tous les opérateurs appelés à se servir de la pompe savent bien l'utiliser. Ne pas laisser les enfants utiliser la pompe. Garder les enfants et les animaux loin de la zone de travail. Utilisation de la pompe Ne pomper que de l'eau non destinée à la consommation humaine. Pomper des liquides inflammables, comme l'essence ou le mazout, peut provoquer un incendie ou une explosion et entraîner des blessures graves. Pomper l'eau de mer, des boissons, des acides, des solutions chimiques ou tout autre liquide corrosif, peut endommager la pompe. Faire attention lors du ravitaillement en carburant.

L'essence est très inflammable, et la vapeur d'essence peut exploser. Faire le ravitaillement en carburant à l'extérieur, à un endroit bien ventilé, lorsque le moteur est éteint et la pompe se trouve sur une surface plane. Lors du ravitaillement, ne pas dépasser le rebord du filtre carburant. Ne jamais fumer près de l'essence, et installer la pompe loin des flammes et des étincelles. Toujours stocker l'essence dans un récipient prévu à cet effet. S'assurer que le carburant éventuellement renversé a été épongé avant d'allumer le moteur.

Après le ravitaillement, s'assurer que le bouchon du réservoir est bien fermé et serré.

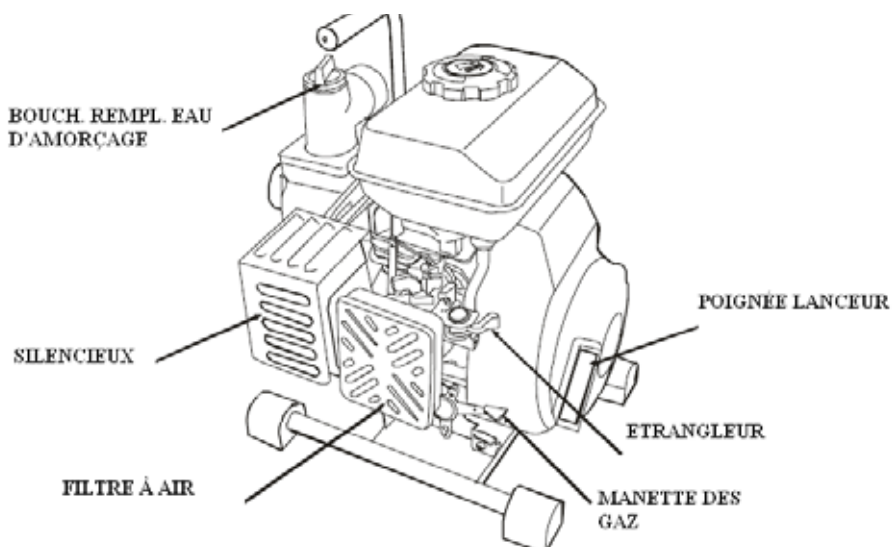
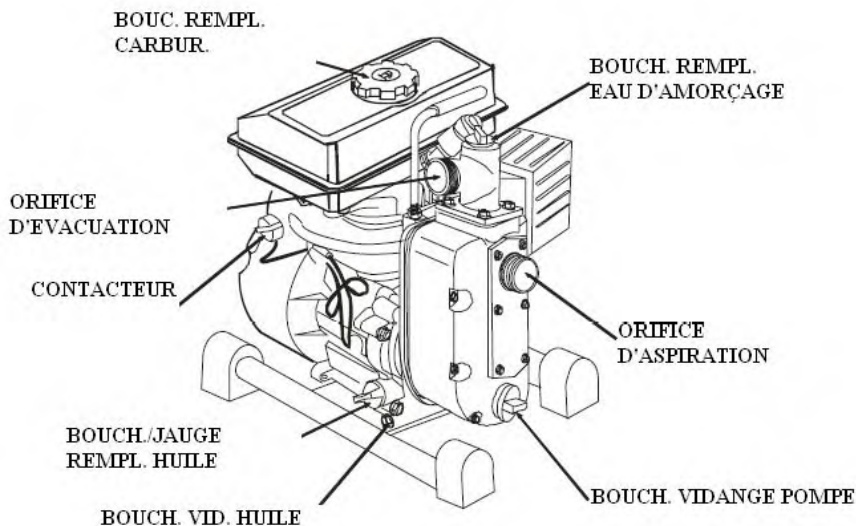
Échappement de chaleur Le silencieux chauffe fort en cours de fonctionnement, et il reste chaud pendant un certain temps après l'arrêt du moteur. Faire attention à ne pas toucher le silencieux lorsqu'il est chaud. Laisser le moteur refroidir avant de transporter la pompe ou de la stocker à l'intérieur.

Pour prévenir les risques d'incendie, placer la pompe à 3 pieds (1 mètre) au moins des murs du bâtiment et de tout autre équipement pendant son fonctionnement. Ne pas mettre d'objets inflammables près du moteur.

Danger du monoxyde de carbone ! Les gaz d'échappement contiennent du monoxyde de carbone toxique. Éviter de respirer les gaz d'échappement. Ne jamais faire tourner le moteur dans un garage fermé ou dans un endroit confiné.

## CHAPITRE 2 COMPOSITION

### POSITION DES PIÈCES & DES COMMANDES



## CHAPITRE 3

### COMMANDES

---

#### MANETTE DE LA VANNE CARBURANT

La vanne carburant ouvre et ferme le passage entre le réservoir à carburant et le carburateur. La vanne carburant doit être en position ON pour permettre au moteur de fonctionner. Quand le moteur ne tourne pas, laisser la vanne carburant en position OFF pour éviter de noyer le carburateur et diminuer les risques de fuites de carburant.

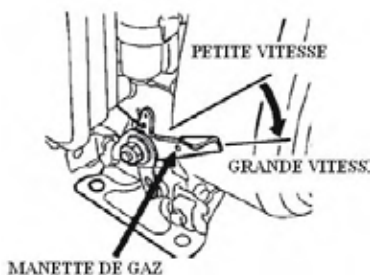
VANNE CARBURANT



#### MANETTE DES GAZ

La manette des gaz commande la vitesse du moteur.

Placer la manette des gaz dans les directions représentées sur la figure fait tourner le moteur plus vite ou plus lentement.



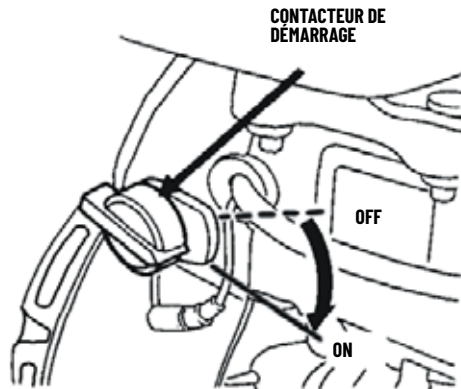
#### CONTACTEUR DÉMARRAGE

Le contacteur de démarrage active et désactive le système d'allumage.

Le contacteur de démarrage doit être en position ON pour permettre au moteur de fonctionner.

Mettre le contacteur de démarrage en position OFF pour arrêter le moteur.





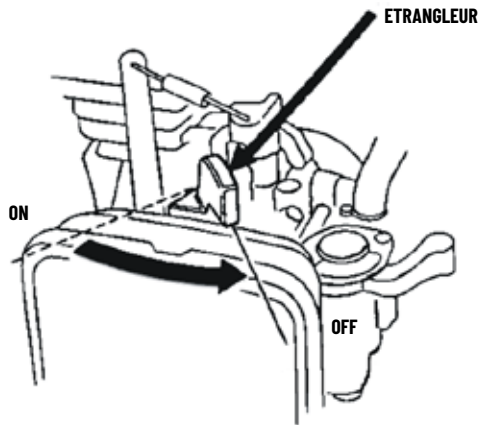
### ÉTRANGLEUR

L'étrangleur ouvre et ferme le détendeur du carburateur.

En position FERMÉE, l'étrangleur enrichit le mélange de carburant pour démarrer le moteur à froid.

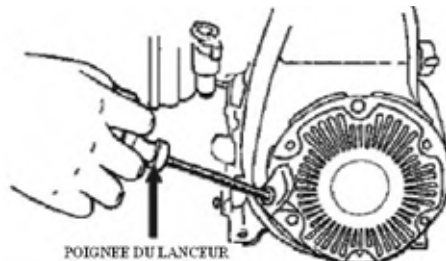
En position OUVERTE, l'étrangleur fournit le mélange de carburant correct pour commencer les opérations après le démarrage et pour redémarrer un moteur à chaud.

Certains moteurs utilisent une commande à distance de l'étrangleur au lieu de l'étrangleur monté sur le moteur, comme celui de la figure.



### POIGNÉE DU LANCEUR À RAPPEL AUTOMATIQUE

Tirer la poignée du lanceur pour faire fonctionner le lanceur à rappel automatique et allumer le moteur.



## CHAPITRE 4

### VÉRIFICATIONS AVANT L'UTILISATION

---

#### **VOTRE MOTEUR EST-IL PRÊT À FONCTIONNER?**

Pour assurer votre sécurité et une longue durée de vie utile à votre équipement, il est très important de consacrer quelques minutes à la vérification du moteur avant de l'utiliser. S'assurer d'avoir réglé tous les problèmes détectés ou de les avoir fait régler au centre de réparation avant d'utiliser le moteur.



#### **AVERTISSEMENT**

Ne pas bien entretenir ce moteur ou ne pas régler un problème avant son utilisation, pourrait entraîner un dysfonctionnement susceptible de provoquer de graves blessures à l'opérateur. Toujours effectuer un contrôle préalable à chaque mise en service et régler tous les problèmes.

Avant de commencer les contrôles préalables à la mise en service, s'assurer que le moteur est à plat et que son contacteur est en position OFF.

#### **VÉRIFIER L'ÉTAT GÉNÉRAL DU MOTEUR**

Regarder autour et au-dessous du moteur pour vérifier l'absence de traces d'huile ou d'essence.

Enlever la saleté excessive ou les débris, en particulier autour du silencieux et du lanceur à rappel automatique.

Vérifier l'absence de dommages matériels.

Contrôler que toutes les protections et tous les caches sont installés, et que les écrous, les boulons et les vis sont tous bien serrés.

#### **VÉRIFIER LE MOTEUR**

Vérifier le niveau d'huile moteur. Faire fonctionner le moteur avec un niveau d'huile bas peut endommager le moteur. Le système de sécurité niveau d'huile (sur les types de moteurs en disposant) arrêtera le moteur automatiquement avant que le niveau d'huile ne chute au-dessous des limites de sécurité. Cependant, vérifier toujours le niveau d'huile moteur avant l'utilisation pour éviter l'inconvénient d'un arrêt imprévu. Vérifier le filtre à air. Un filtre à air sale diminuera le débit de l'air envoyé au carburateur et les performances du moteur. Vérifier le niveau de carburant. Commencer avec un réservoir plein pour éviter ou diminuer les interruptions de travail nécessaires au ravitaillement.

#### **VÉRIFIER LES ÉQUIPEMENTS ACTIONNÉS PAR CE MOTEUR**

Contrôler les instructions fournies avec les équipements actionnés par ce moteur pour s'informer des précautions et des procédures à respecter avant d'allumer le moteur.

## CHAPITRE 5

### UTILISATION

#### PRÉCAUTIONS POUR UNE UTILISATION SÛRE

Avant d'utiliser le moteur pour la première fois, relire le paragraphe INFORMATIONS DE SÉCURITÉ IMPORTANTES et le chapitre intitulé VÉRIFICATIONS AVANT L'UTILISATION.



#### AVERTISSEMENT

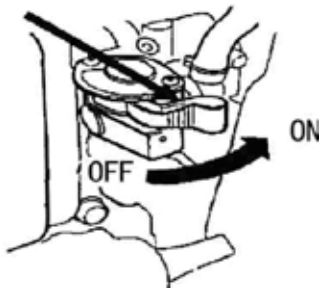
Le monoxyde de carbone est un gaz toxique. Son inhalation peut provoquer une perte de connaissance et la mort. L'opérateur doit éviter toutes les zones ou actions qui l'exposent aux émanations de monoxyde de carbone.

Le monoxyde de carbone est un gaz toxique. Son inhalation peut provoquer une perte de connaissance et la mort. L'opérateur doit éviter toutes les zones ou actions qui l'exposent aux émanations de monoxyde de carbone. Contrôler les instructions fournies avec les équipements actionnés par ce moteur pour s'informer des précautions de sécurité à respecter lors de l'allumage, de l'arrêt ou de l'utilisation du moteur.

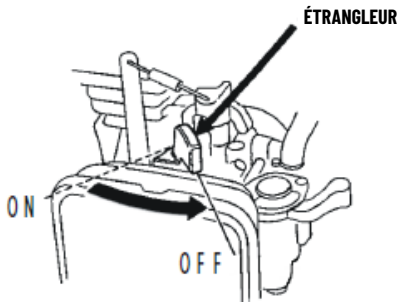
#### ALLUMER LE MOTEUR

1. Mettre la manette de la vanne carburant en position ON.

VANNE CARBURANT

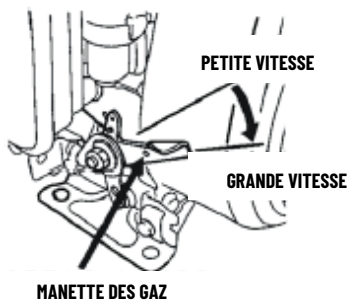


2. Pour allumer un moteur à froid, mettre l'étrangleur en position FERMÉE. Pour rallumer un moteur à chaud, laisser l'étrangleur en position OUVERTE. Certains moteurs utilisent une commande à distance de l'étrangleur au lieu de l'étrangleur monté sur le moteur, comme celui de la figure.

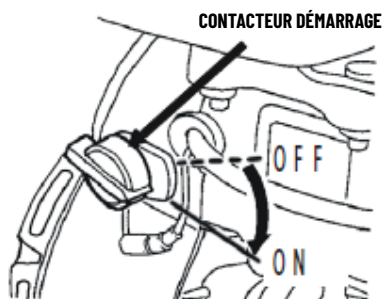


3. Tourner la manette des gaz de la position LENTE vers la position RAPIDE d'1/3 à peu près.

Certains moteurs utilisent une commande à distance des gaz au lieu de la manette des gaz montée sur le moteur, comme celle de la figure.



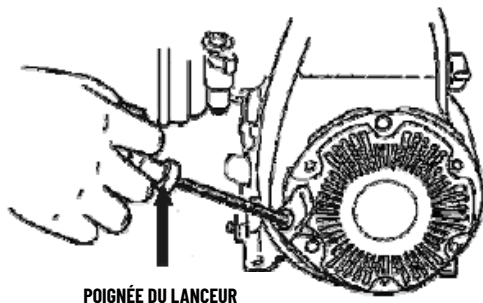
4. Mettre le contacteur de démarrage en position ON.



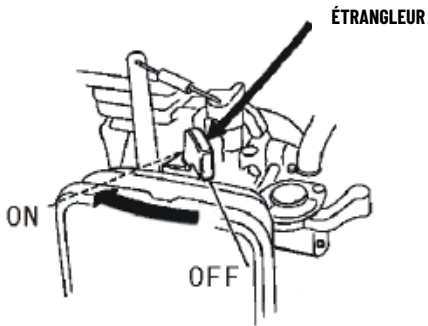
5. Utiliser le lanceur.

LANCEUR À RAPPEL AUTOMATIQUE (tous les types de moteurs) :

Tirer la poignée du lanceur délicatement jusqu'à sentir une résistance, puis tirer d'un coup sec. Remettre en place la poignée du lanceur en douceur.



6. Si l'étrangleur a été mis en position FERMÉE pour allumer le moteur, le déplacer petit à petit vers la position OUVERTE au fur et à mesure que le moteur chauffe.

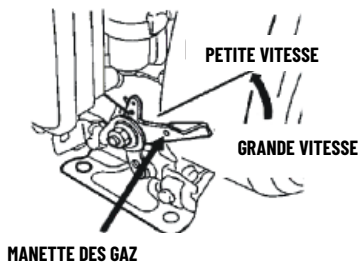


### ÉTEINDRE LE MOTEUR

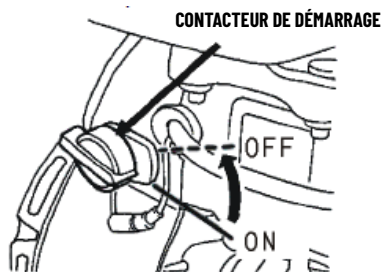
En cas d'urgence, mettre simplement le contacteur de démarrage en position OFF pour éteindre le moteur. Dans des conditions normales, suivre la procédure suivante :

1. Mettre la manette des gaz en position LENTE.

Certains moteurs utilisent une commande à distance des gaz au lieu de la manette des gaz montée sur le moteur, comme celle de la figure.

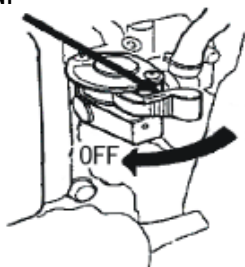


2. Mettre le contacteur de démarrage en position OFF.



3. Mettre la manette de la vanne carburant en position OFF.

#### VANNE CARBURANT

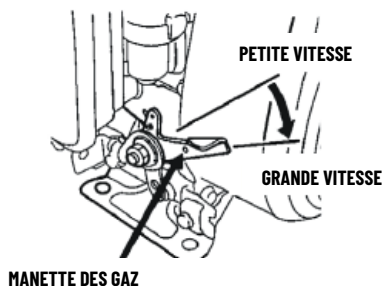


#### RÉGLER LA VITESSE DU MOTEUR

Positionner la manette des gaz en fonction de la vitesse du moteur souhaitée.

Certains moteurs utilisent une commande à distance des gaz au lieu de la manette des gaz montée sur le moteur, comme celle de la figure.

Pour toute recommandation sur la vitesse du moteur, consulter les instructions fournies avec les équipements actionnés par ce moteur.



## CHAPITRE 6

### ENTRETIEN

---

#### L'IMPORTANCE DE L'ENTRETIEN

Un bon entretien est fondamental pour assurer un fonctionnement sûr et économique sans aucun problème. Cette opération contribuera aussi à diminuer la pollution atmosphérique.



#### AVERTISSEMENT

Ne pas bien entretenir ce moteur ou ne pas régler un problème avant son utilisation, pourrait entraîner un dysfonctionnement susceptible de provoquer des blessures graves ou mortelles à l'opérateur. Respecter toujours les recommandations et les délais d'entretien et de contrôle prévus dans ce manuel d'utilisation.

Les pages suivantes aideront l'opérateur à bien prendre soin du moteur. Elles fournissent les délais d'entretien, les procédures de contrôle standards et les procédures d'entretien simples à effectuer avec un outillage à main de base. Il est préférable que les interventions de révision plus compliquées ou exigeant un outillage spécial soient réalisées par des professionnels. En général, un technicien ou un autre mécanicien qualifié s'en charge.

Les délais d'entretien s'appliquent à des conditions d'utilisation standards. Si le moteur fonctionne dans des conditions inhabituelles, comme un effort maximum soutenu ou de hautes températures, ou dans un endroit exceptionnellement humide ou poussiéreux, s'adresser au centre de réparation et demander des conseils en fonction des exigences personnelles et du type d'utilisation souhaité.

#### SÉCURITÉ ENTRETIEN

Nous avons reproduit ci-après quelques-unes des plus importantes dispositions de sécurité. Cependant, il nous est impossible de vous avertir de tous les dangers susceptibles de se présenter pendant l'entretien. Vous êtes la seule personne à décider si vous êtes en mesure de réaliser ou non une opération.



#### AVERTISSEMENT

Ne pas suivre à la lettre les instructions d'entretien et les dispositions de sécurité pourrait provoquer des blessures graves ou mortelles à l'opérateur. Respecter toujours les procédures et les dispositions de sécurité prévues dans le manuel d'utilisation.

#### DISPOSITIONS DE SÉCURITÉ

S'assurer que le moteur est éteint avant de commencer toute intervention d'entretien ou de réparation. Ceci protégera l'opérateur de plusieurs dangers potentiels :

- Intoxication due au monoxyde de carbone des gaz d'échappement. S'assurer de disposer d'une bonne aération pendant l'utilisation du moteur.
- Brûlures au contact des pièces chaudes. Laisser le moteur et l'échappement refroidir avant de les toucher.
- Blessures au contact des pièces mobiles. Utiliser toujours le moteur conformément aux instructions du manuel.

Lire les instructions avant de commencer et s'assurer de disposer de l'outillage et des connaissances nécessaires.

Pour diminuer le risque d'incendie ou d'explosion, être très attentif en présence d'essence. Ne nettoyer les pièces qu'avec un solvant ininflammable et non pas à l'essence. Ne pas utiliser de cigarettes, d'étincelles et de flammes près des pièces reliées au carburant.

Se rappeler que le centre de réparation a une meilleure connaissance du moteur et dispose de tous les outils nécessaires à l'entretien et la réparation.

Pour garantir la meilleure qualité et une fiabilité extrême, n'utiliser que des pièces d'origine nouvelles ou des pièces équivalentes pour les réparations et les remplacements.

## DÉLAIS D'ENTRETIEN

ENTRETIEN RÉGULIER Effectué aux mois indiqués ou après un certain nombre d'heures de fonctionnement – à la première occasion.		Après chaque utilisation	Premier mois ou premières 20 h.	Tous les 3 mois ou toutes les 50 h.	Tous les 6 mois ou toutes les 100 h.	Une fois par an ou toutes les 300 h.
POINT						
• Huile moteur	Vérifier le niveau	0				
	Vidanger		0		0	
• Filtre à air	Vérifier	0				
	Nettoyer			0 (1)		
	Remplacer					
• Chambre de dépôt	Nettoyer				0	
• Bougie d'allumage	Nettoyer Remplacer				0	
	Vérifier -Régler					0*
• Pare-étincelles (pièces en option) Ralenti	Nettoyer				0	
• Idle speed	Vérifier -Régler					0 (2)
• Jeu de la vanne	Vérifier -Régler					0 (2)
• Réservoir et filtre carburant	Nettoyer					0 (2)
• Chambre de combustion	Nettoyer			Toutes les 300 h. (2)		
• Tuyau d'alimentation	Vérifier			Tous les 2 ans (Remplacer le cas échéant)(2)		

• Emission-related items.

\* Replace the paper element type only.

(1) Augmenter la fréquence des entretiens en cas d'utilisation dans un endroit poussiéreux.

(2) Il est préférable de faire faire l'entretien de ces dispositifs par le centre de réparation, à moins que l'opérateur ne possède l'outillage adéquat et ne dispose d'excellentes connaissances en mécanique. Consulter le manuel pour les procédures d'entretien.

## RAVITAILLEMENT EN CARBURANT

Capacité du réservoir carburant :

47 US qt (1,4 l)

Retirer le bouchon du réservoir carburant et vérifier le niveau de carburant moteur éteint. Remplir le réservoir si le niveau de carburant est bas.

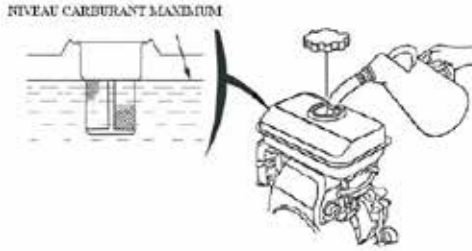


## AVERTISSEMENT

L'essence est très inflammable et explosive. Lors de la manipulation de carburant, l'opérateur peut être brûlé ou gravement blessé. Éteindre le moteur et se placer à une certaine distance des sources de chaleur, des étincelles et des flammes.

Ne manipuler le carburant qu'à l'extérieur. Nettoyer immédiatement le carburant renversé.





Procéder au ravitaillement dans un endroit bien ventilé avant d'allumer le moteur. Si le moteur a fonctionné, le laisser refroidir. Verser le carburant avec attention pour éviter d'en renverser. Ne pas dépasser le rebord du filtre carburant. Après le ravitaillement, bien serrer le bouchon du réservoir carburant. Ne jamais faire le ravitaillement du moteur dans un bâtiment où les vapeurs d'essence pourraient entrer en contact avec des flammes ou des étincelles. Mettre l'essence à une certaine distance des veilleuses d'allumage, des barbecues, des appareils électriques, des outils mécaniques, etc. Non seulement le carburant renversé représente un risque d'incendie, mais il nuit aussi à l'environnement. Nettoyer immédiatement le carburant renversé.

### **ATTENTION**

Le carburant peut endommager la peinture et le plastique. Faire attention à ne pas renverser de carburant lors du ravitaillement. Les dégâts provoqués par le carburant renversé ne sont pas couverts par la garantie

### **RECOMMANDATIONS CARBURANT**

**Utiliser de l'essence sans plomb avec un indice d'octane 86 ou plus.**

Ces moteurs sont certifiés pour l'essence sans plomb. L'essence sans plomb diminue les dépôts dans le moteur et les bougies et prolonge la durabilité de l'échappement. Ne jamais utiliser de l'essence vieille ou souillée ou un mélange huile/essence. Éviter d'introduire de la saleté ou de l'eau dans le réservoir carburant. Il est possible que l'opérateur entende, de temps à autre, un léger « cliquetis au niveau de la bougie » ou « un petit bruit » (un coup sec métallique) en cas de forte charge du moteur. Il n'y a aucune raison de s'inquiéter. En cas de cliquetis au niveau de la bougie ou de petit bruit à vitesse constante, utiliser une autre marque d'essence. Si ce cliquetis ou petit bruit persiste, s'adresser au centre de réparation agréé.

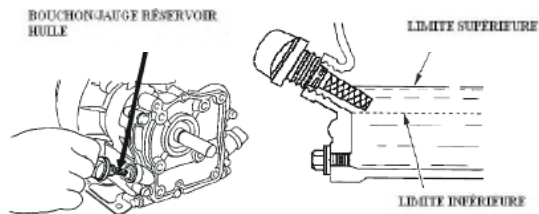
### **ATTENTION**

Utiliser le moteur en cas de cliquetis ou de petit bruit persistants peut l'endommager. Utiliser le moteur malgré un cliquetis ou petit bruit persistants est considéré comme un usage impropre. La garantie limitée du distributeur ne couvre pas les pièces endommagées suite à un usage impropre.

### **VÉRIFICATION DU NIVEAU D'HUILE MOTEUR**

Vérifier le niveau d'huile quand le moteur est éteint et à plat.

1. Enlever le bouchon/la jauge du réservoir et l'essuyer.



2. Introduire et enlever la jauge sans la visser sur la goulotte du réservoir. Vérifier le niveau d'huile sur la jauge. 3. Si le niveau d'huile est bas, verser l'huile recommandée dans le réservoir huile jusqu'à ras bord.
4. Bien visser le bouchon/la jauge du réservoir.

### ATTENTION

Faire fonctionner le moteur avec un niveau d'huile bas peut endommager le moteur.

Le système de sécurité niveau d'huile (sur les types de moteurs en disposant) arrêtera le moteur automatiquement avant que le niveau d'huile ne chute au-dessous des limites de sécurité. Cependant, vérifiez toujours le niveau d'huile moteur avant l'utilisation pour éviter l'inconvénient d'un arrêt imprévu.

### VIDANGE HUILE MOTEUR

Vidanger l'huile usagée lorsque le moteur est chaud. L'huile chaude s'écoule rapidement et totalement.

1. Mettre sous le moteur un récipient pour recueillir l'huile usagée, enlever le bouchon/la jauge du réservoir et le bouchon de vidange.

2. Laisser l'huile usagée s'écouler totalement, remettre ensuite le bouchon de vidange et bien le serrer.

Se débarrasser de l'huile moteur usagée d'une façon respectueuse de l'environnement.

Nous vous recommandons de mettre l'huile usagée dans un récipient hermétique et de la porter au centre de recyclage local ou à une station-service pour la récupération.

Ne pas la jeter dans la poubelle, ne pas la déverser sur le sol ou dans l'égoût.

3. Placer le moteur à plat et verser l'huile recommandée dans le réservoir huile jusqu'à ras bord.

Capacité huile moteur:

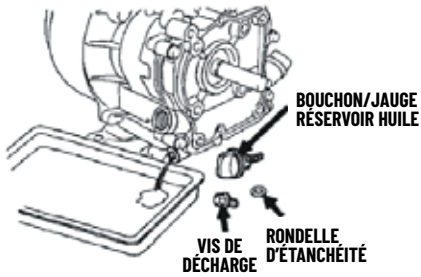
0,48 US qt (0,45 l)

Faire fonctionner le moteur avec un niveau d'huile bas peut endommager le moteur.

Le système de sécurité niveau d'huile (sur les types de moteurs en disposant) arrêtera le moteur automatiquement avant que le niveau d'huile ne chute au-dessous des limites de sécurité.

Cependant, remplissez jusqu'à la limite supérieure et vérifiez régulièrement le niveau d'huile pour éviter l'inconvénient d'un arrêt imprévu.

4. Bien visser le bouchon/la jauge du réservoir.



## ENTRETIEN DU MOTEUR

### RECOMMANDATIONS HUILE MOTEUR

L'huile est un élément qui a une grande influence sur le rendement et la durabilité.

Utiliser de l'huile détergente automobile 4 temps.

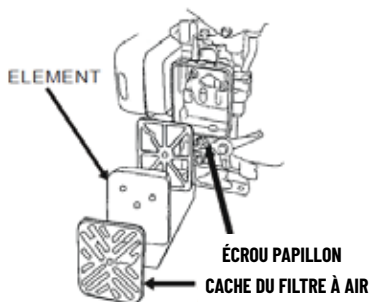
L'huile SAE 10W-30 est recommandée pour un usage général. Les indices de viscosité du graphique peuvent être utilisés si la température ambiante moyenne se situe dans la plage recommandée.



La viscosité et la classification de l'huile SAE figurent sur l'étiquette API du bidon d'huile. Nous vous recommandons d'utiliser de l'huile de niveau SE ou SF selon la classification API.

### CONTRÔLE DU FILTRE À AIR

Retirer le cache du filtre à air et contrôler le filtre. Nettoyer ou remplacer les éléments sales du filtre. Toujours remplacer les éléments endommagés du filtre. En cas de filtre à air à bain d'huile, vérifier aussi le niveau d'huile.



### ENTRETIEN DU FILTRE À AIR

Un filtre à air sale diminuera le débit de l'air envoyé au carburateur et les performances du moteur.

Si le moteur fonctionne dans des endroits très poussiéreux, nettoyer le filtre à air plus souvent que nous ne le recommandons dans les DÉLAIS D'ENTRETIEN.

### ATTENTION

Faire fonctionner le moteur sans filtre à air ou avec un filtre à air endommagé permettra à la saleté de s'infiltrer dans le moteur et accélérera son usure. Ce type de dégât n'est pas couvert par la garantie limitée du distributeur.

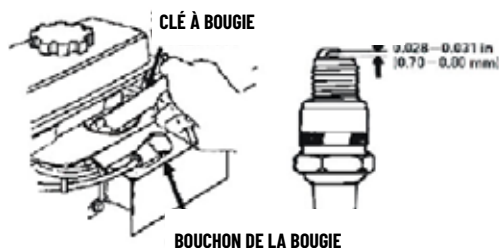
### ENTRETIEN DES BOUGIES D'ALLUMAGE

Bougies recommandées : E5T ou équivalentes.

### ATTENTION

Une bougie inappropriée peut endommager le moteur.

1. Détacher le capuchon de la bougie et enlever la saleté autour du siège de la bougie.
2. Retirer la bougie avec une clé à bougie.



3. Contrôler la bougie. La remplacer si les électrodes sont usées ou si l'isolateur est fissuré ou cassé.

4. Mesurer l'écartement des électrodes de la bougie avec une cale d'épaisseur.

L'écartement devrait être de 0,028 - 0,031 pouces (0,70 - 0,80 mm). Le cas échéant, corriger l'écartement en pliant l'électrode latérale avec soin.

5. Positionner la bougie avec soin à la main pour éviter de fausser les filetages.

6. Après avoir mis en place la bougie, serrer avec une clé à bougie pour comprimer la rondelle.

Si l'ancienne bougie est réinstallée, la mettre dans son siège et serrer de 1/8 à 1/4 de tour supplémentaire.

Si une nouvelle bougie est installée, la mettre dans son siège et serrer d'un demi-tour supplémentaire.

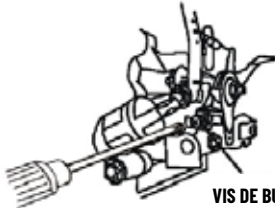
**ATTENTION**

Une bougie mal serrée peut surchauffer et endommager le moteur.  
Trop serrer la bougie peut endommager les filetages de la culasse.

7. Attacher le capuchon de la bougie.

**RÉGLAGE DU RALENTI**

1. Allumer le moteur à l'extérieur et le laisser chauffer jusqu'à atteindre la température de service.
  2. Mettre la manette des gaz dans la position la plus lente.
  3. Tourner la vis de butée des gaz pour obtenir le ralenti standard.
- Ralenti standard : 2 200±150 t/m



**VIS DE BUTÉE DES GAZ**

## CHAPITRE 7

### REMISAGE / TRANSPORT

---

**REMISAGE DU MOTEUR****PRÉPARATION AU REMISAGE**

Une bonne préparation au remisage est fondamentale pour préserver le moteur de tout inconvénient et le maintenir en bon état. Suivre la procédure suivante pour éviter que la rouille et la corrosion ne compromettent le bon fonctionnement et l'esthétique du moteur, et pour faciliter l'allumage du moteur après le remisage.

**NETTOYAGE**

Si le moteur a fonctionné, le laisser refroidir pendant une demi-heure au moins avant de le nettoyer. Nettoyer toutes les surfaces externes, faire les retouches de peinture nécessaires et appliquer une fine couche d'huile sur les autres parties susceptibles de rouiller.

**ATTENTION**

Utiliser un flexible ou un nettoyeur haute pression peut causer l'infiltration d'eau dans le filtre à air ou dans le silencieux. L'eau introduite dans l'épurateur d'air peut mouiller le filtre à air, et l'eau infiltrée dans le filtre à air ou dans le silencieux peut pénétrer dans le cylindre et provoquer des dégâts.

Au contact avec un moteur chaud, l'eau peut provoquer des dégâts. Si le moteur a fonctionné, le laisser refroidir pendant une demi-heure au moins avant de le nettoyer.

## CARBURANT

L'essence s'oxydéra et se détériorera lors du remisage. L'essence vieille entraînera un problème d'allumage et formera des dépôts de crasse susceptibles d'obstruer l'alimentation. Si l'essence se détériore dans le moteur pendant le remisage, il sera peut-être nécessaire de réparer ou de remplacer le carburateur ou les autres pièces de l'alimentation. Les facteurs, comme le mélange d'essence, la température de remisage et la quantité de carburant dans le réservoir (rempli partiellement ou totalement) détermineront le délai pendant lequel l'essence peut rester dans le réservoir carburant et dans le carburateur sans provoquer aucun problème de fonctionnement. Un réservoir rempli en partie contient de l'air qui accélère la détérioration du carburant. Un endroit de remisage très chaud ou des températures élevées accélèrent la détérioration du carburant. Les problèmes de détérioration du carburant peuvent apparaître en l'espace de quelques mois ou moins si l'essence n'était pas fraîche lors du ravitaillement.

La garantie limitée du distributeur ne couvre pas les dommages à l'alimentation ou les problèmes de rendement du moteur provoqués par une mauvaise préparation au remisage.

Il est possible de prolonger la conservation du carburant en ajoutant un stabilisant formulé à cet effet, ou d'éviter les problèmes de détérioration de l'essence en vidangeant le réservoir carburant et le carburateur.

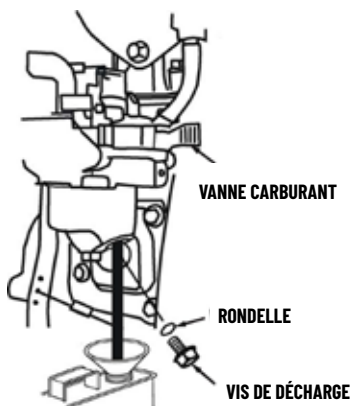
### AJOUTER UN STABILISANT POUR PROLONGER LA CONSERVATION DU CARBURANT

En cas d'ajout de stabilisant, remplir le réservoir carburant avec de l'essence fraîche. Si le réservoir n'est pas totalement rempli, l'air présent à l'intérieur accélérera la détérioration du carburant pendant le remisage. Si vous conservez un bidon d'essence pour le ravitaillement, assurez-vous qu'il ne contient que de l'essence fraîche.

1. Ajouter le stabilisant carburant en suivant les instructions du fabricant.
2. Après avoir ajouté le stabilisant, faire fonctionner le moteur à l'extérieur pendant 10 minutes pour s'assurer que l'essence traitée a remplacé l'essence non traitée dans le carburateur.
3. Éteindre le moteur et mettre la vanne carburant en position OFF.

### VIDANGER LE RÉSERVOIR CARBURANT ET LE CARBURATEUR

1. Mettre un récipient essence prévu à cet effet sous le carburateur et utiliser un entonnoir pour ne pas renverser le carburant.
2. Retirer la vis de décharge du carburateur et la chambre de dépôt et mettre ensuite la manette de la vanne carburant en position ON.



3. Après avoir recueilli le carburant dans le récipient, remettre la vis de décharge et la chambre de dépôt. Bien les serrer.

### **PRÉCAUTIONS POUR LE REMISAGE**

1. Vidanger l'huile moteur.
2. Enlever les bougies.
3. Verser une cuillerée à soupe (5-10 cc) d'huile moteur propre dans le cylindre.
4. Tirer la corde du lanceur plusieurs fois pour répartir l'huile dans le cylindre.
5. Remettre les bougies.
6. Tirer la corde du lanceur lentement jusqu'à sentir une résistance. Ce geste fermera les vannes et empêchera que l'humidité ne s'infilte dans le cylindre du moteur. Remettre en place la corde du lanceur en douceur. Si le moteur remisé a de l'essence dans le réservoir carburant et dans le carburateur, il est important de réduire le risque que les vapeurs d'essence prennent feu. Choisir un lieu de remisage bien ventilé et loin de dispositifs fonctionnant avec une flamme, comme les fours, les chauffe-eau ou les séchoirs. Éviter aussi les endroits où sont utilisés des moteurs électriques à allumage par étincelle ou des outils mécaniques. Si possible, éviter les lieux de remisage très humides, car l'humidité favorise la formation de rouille et la corrosion. À moins que le réservoir carburant n'ait été totalement vidangé, laisser la manette de la vanne carburant en position OFF pour réduire le risque de fuite. Mettre l'équipement d'une façon à ce que le moteur soit à plat. Toute inclinaison peut provoquer une fuite d'huile ou de carburant. Lorsque le moteur et l'échappement sont froids, couvrir le moteur pour le protéger des poussières. Certains matériaux peuvent prendre feu ou fondre si le moteur et l'échappement sont chauds. Ne pas utiliser de plastique pour couvrir le moteur. Un revêtement non poreux attirera l'humidité autour du moteur et favorisera la formation de rouille et la corrosion. En cas de batterie pour lanceur électrique, la recharger une fois par mois pendant le remisage du moteur. Ceci contribuera à prolonger la durabilité de la batterie.

### **FIN DU REMISAGE**

Vérifier le moteur en suivant les instructions du chapitre VÉRIFICATIONS AVANT L'UTILISATION. Si le carburant a été vidangé lors de la préparation au remisage, remplir le réservoir avec de l'essence fraîche. Si vous conservez un bidon d'essence pour le ravitaillement, assurez-vous qu'il ne contient que de l'essence fraîche. L'essence s'oxyde et se détériore après un certain temps, provoquant des problèmes d'allumage. Si les cylindres ont été enduits d'huile lors de la préparation au remisage, le moteur pourrait fumer un peu au démarrage. Ceci est tout à fait normal.

### **TRANSPORT**

Si le moteur a fonctionné, le laisser refroidir pendant 15 minutes au moins avant de mettre l'équipement actionné par le moteur dans le véhicule de transport. Avec un moteur et un échappement chauds, l'opérateur risque de se blesser et certains matériaux de prendre feu. Garder le moteur à plat lors du transport pour réduire le risque de fuite de carburant. Mettre la manette de la vanne carburant en position OFF.

## CHAPITRE 8

### DÉPANNAGE

LE MOTEUR NE DÉMARRE PAS	CAUSE ÉVENTUELLE	SOLUTION
Démarrage électrique : vérifier la batterie	Batterie à plat.	Recharger la batterie.
Vérifier la position des commandes	Vanne carburant OFF.	Mettre la manette sur ON.
	Étrangleur OUVERT.	Mettre la manette sur FERMÉ sauf si le moteur est chaud.
	Contacteur démarrage OFF.	Mettre le contacteur de démarrage sur ON.
Vérifier le carburant.	Plus de carburant.	Procéder au réapprovisionnement.
	Carburant de mauvaise qualité, moteur remis sans traiter ou vidanger l'essence, réapprovisionnement avec de l'essence de mauvaise qualité	Vidanger le réservoir carburant et le carburateur. Réapprovisionnement avec de l'essence fraîche.
Retirer et contrôler les bougies.	Bougies défectueuses, encrassées ou mal écartées.	Corriger l'écartement ou remplacer les bougies.
	Bougies baignées de carburant (moteur noyé).	Sécher et remettre en place les bougies. Allumer le moteur avec la manette des gaz en position RAPIDE.
Porter le moteur à un centre de réparation agréé ou consulter le manuel.	Filter carburant encrassé, dysfonctionnement du carburateur, dysfonctionnement de l'allumage, vanne bloquée, etc.	Remplacer ou réparer les pièces défectueuses, le cas échéant.

LE MOTEUR EST PEU PUISSANT	CAUSE ÉVENTUELLE	SOLUTION
Vérifier le filtre à air	Élément(s) du filtre encrassé.	Nettoyer ou remplacer les élément(s) du filtre.
Vérifier le carburant.	Plus de carburant.	Procéder au réapprovisionnement
	Carburant de mauvaise qualité, moteur remis sans traiter ou vidanger l'essence, réapprovisionnement avec de l'essence de mauvaise qualité	Vidanger le réservoir carburant et le carburateur. Réapprovisionnement avec de l'essence fraîche.
Porter le moteur à un centre de réparation agréé ou consulter le manuel.	Filter carburant encrassé, dysfonctionnement du carburateur, dysfonctionnement de l'allumage, vanne bloquée, etc.	Remplacer ou réparer les pièces défectueuses, le cas échéant.

## CHAPITRE 9

### INFORMATIONS TECHNIQUES & RENSEIGNEMENTS CONSOMMATEUR

#### INFORMATION TECHNIQUE

Emplacement du numéro de série



NUMÉRO DE SÉRIE DU  
TYPE DE MOTEUR



Inscrire le numéro de série du moteur dans l'espace ci-dessous. Ce numéro de série est indispensable pour commander des pièces de rechange, pour demander des informations techniques et des renseignements sur la garantie. Numéro de série du moteur: \_\_\_\_\_

Modification du carburateur pour un fonctionnement en haute altitude En haute altitude, le mélange carburé standard air/carburant sera trop riche. Le rendement diminuera et la consommation de carburant augmentera. Un mélange très riche encrassera aussi les bougies et provoquera des problèmes d'allumage. L'utilisation prolongée du moteur à une altitude autre que celle pour laquelle il est certifié, peut accroître son niveau de pollution. Le rendement en haute altitude peut être amélioré par des modifications spécifiques du carburateur. Si vous utilisez toujours le moteur à une altitude supérieure à 5 000 pieds (1500 mètres), demandez à votre centre de réparation de modifier le carburateur. Si ce moteur muni d'un carburateur modifié pour un usage en haute altitude fonctionne à une haute altitude, il répondra aux normes antipollution pendant toute sa durée de vie utile. Même avec le carburateur modifié, la puissance du moteur diminuera d'à peu près 3,5% par 1 000 pieds (300 mètres) d'augmentation de l'altitude. L'effet de l'altitude sur la puissance sera plus important si le carburateur n'est pas modifié.

## ATTENTION

Si le carburateur a été modifié pour un usage en haute altitude, le mélange air/carburant sera trop pauvre pour un usage en basse altitude. L'utilisation du moteur muni d'un carburateur modifié à une altitude inférieure à 5 000 pieds (1 500 mètres) pourrait entraîner une surchauffe du moteur et provoquer de graves dégâts au moteur. Pour un usage en basse altitude, s'adresser au centre de réparation pour remettre le carburateur dans les conditions d'origine.

## RÉGLAGE DU MOTEUR

POINT	CARACTÉRISTIQUES
Écartement des bougies	0.028-0.031 in (0.70-0.80 mm)
Jeu de la vanne	IN: 0.10 0.02 mm (froid) EX: 0.15 0.02 mm (froid)
Autres caractéristiques	Pas d'autres réglages nécessaires

## RENSEIGNEMENTS POUR LE CONSOMMATEUR

### Documentation

Cette documentation vous fournira des informations supplémentaires pour bien entretenir et réparer le moteur. Vous pouvez la commander auprès de votre centre de réparation.

### Catalogue des pièces détachées

Ce manuel fournit les listes des pièces détachées complètes et illustrées.

## RÉCAPITULATIF DES INFORMATIONS

HUILE MOTEUR	TYPE	SAE 10W-30,API SJ, POUR UN USAGE GÉNÉRAL
	Capacité	152F: 0.45 L
Bougie	Type	E5T ou équivalentes.
	Écartement	0.028-0.031 pouces (0.70-0.80 mm)
Carburateur	Ralenti	2200±150 rpm
Entretien	Après chaque utilisation	Vérifier l'huile moteur. Vérifier le filtre à air.
	Après les 20 premières heures	Vidanger l'huile moteur.
	Ensuite	Consulter les instructions d'entretien

## CHAPITRE 10 CARACTÉRISTIQUES

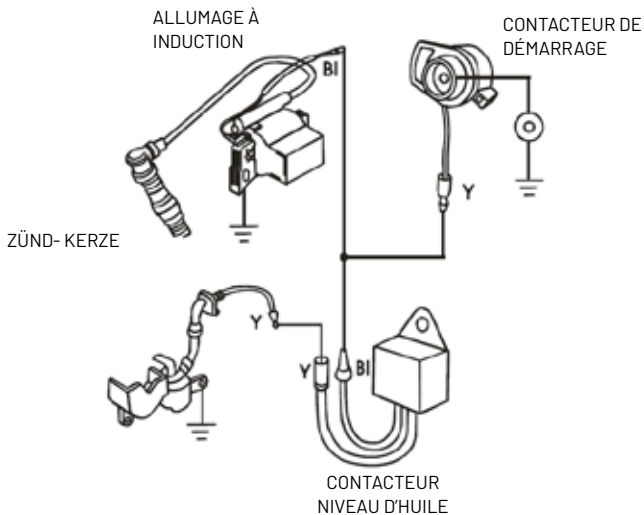
MODÈLE	HYDROBLASTER 2.5 HP
Type	Monocylindre, 4-temps, Refroidissement à air forcé, SV
Puissance nominale (kW/3 600 t/m)	1.2
Couple maximum (Nm/t/m)	4.0 N.m/2500 rpm
Consommation carburant (g/kWh)	<435
Ralenti (t/m)	2200 ± 150
Taux de variation de vitesse	<10 %
Bruit (< dB(A))	80 dB(A)
Alésage×Course (mm)	52 x 46
Cylindrée (cc)	97cc
Rapport de compression	5,6: 1
Lubrification	Par barbotage
Démarrage	Lanceur à rappel automatique
Rotation	Sens inverse des aiguilles d'une montre (depuis le côté prise de force)
Jeu des bougies (mm)	0.7-0.8mm
Allumage	Magneto-inductif
Filtre à air	Semi-sec

POINT	TYPE	HYDROBLASTER 2.5 HP
Pompe	Longueur (mm)	340
	Largeur (mm)	290
	Hauteur (mm)	370
	Poids (Kg)	13
	Diamètre orifice d'aspiration	1.5 pouces (40 mm)
	Diamètre orifice d'évacuation	1.5 pouces (40 mm)
	Aspiration max. (m)	6
	Tête max.(m)	21
	Débit max (m3/hr)	12

## CHAPITRE 11

### TYPE DE MOTEUR AVEC SYSTÈME DE SÉCURITÉ NIVEAU D'HUILE ET SANS ALLUMAGE ÉLECTRIQUE

Bl	BLACK
Y	YELLOW





# ÍNDICE

CAPÍTULO	DESCRIPCIÓN	PÁGE
1	INFORMACIÓN	75
2	COMPONENTE	77
3	CONTROLES	78
4	ANTES DE HACERLO FUNCIONAR, VERIFIQUE LO SIGUIENTE	80
5	FUNCIONAMIENTO	91
6	MANTENIMIENTO	95
7	GUARDADO / TRANSPORTE	101
8	SOLUCIÓN DE PROBLEMAS	104
9	INFORMACIÓN TÉCNICA & PARA EL USUARIO	104
10	ESPECIFICACIONES	106
11	TIPO DE MOTOR CON ALERTA DE ACEITE Y SIN ARRANQUE ELÉCTRICO	107

## CAPÍTULO 1 INFORMACIÓN

La información y las especificaciones que se incluyen en este manual estaban en vigencia al momento de la aprobación de su impresión. Queda prohibida la reproducción de cualquier parte del presente sin previa autorización por escrito. Este manual se debe considerar parte permanente de la bomba y se debe conservar junto con la bomba en caso de que ésta sea, luego, vendida. Las ilustraciones de este manual se basan en: HYDROBLASTER 2.5 HP. Las ilustraciones pueden variar de acuerdo con el modelo. Tenga este manual del usuario a mano para consultarlo cuando sea necesario. Este manual del usuario se considera parte permanente de la bomba de agua y se debe conservar junto con la bomba de agua en caso de que ésta sea, luego, vendida. En caso de que tenga algún problema o duda sobre la bomba, consulte con un representante autorizado. Su seguridad y la de los demás son muy importantes. Utilizar esta bomba de agua en forma segura constituye una responsabilidad importante. Para ayudarlo a tomar decisiones sobre seguridad bien fundamentadas, hemos colocado procedimientos operativos y otra información en diferentes etiquetas y en este manual. Esta información contiene advertencias respecto de peligros potenciales que podrían causarle un daño a usted o a los demás. Por supuesto que en la práctica es imposible prever todos los peligros que se relacionan con la operación o el mantenimiento de una bomba de agua. Tendrá que aplicar su sentido común. Encontrará información importante sobre la seguridad en diferentes formas, entre ellas se incluyen las siguientes: Etiquetas de seguridad en la bomba. Mensajes de seguridad precedidos por un símbolo de advertencia de seguridad y una de las tres palabras de alerta que siguen: PELIGRO, ADVERTENCIA o CUIDADO. Estas palabras de alerta quieren decir: Si no sigue las instrucciones, PERDERÁ LA VIDA o SUFRIRÁ UNA LESIÓN GRAVE. Si no sigue las instrucciones, PUEDE PERDER LA VIDA o SUFRIR UNA LESIÓN GRAVE. Si no sigue las instrucciones, PUEDE SUFRIR UNA LESIÓN. Si no sigue las instrucciones, puede dañar su bomba u otros bienes. Encabezados de seguridad, tales como INFORMACIÓN IMPORTANTE DE SEGURIDAD. Sección de seguridad, tal como SEGURIDAD DE LA BOMBA. Instrucciones sobre cómo utilizar esta bomba correctamente y en forma segura. Todo el manual contiene información importante de seguridad. Por favor, léalo detenidamente.

## INFORMACIÓN IMPORTANTE DE SEGURIDAD

Las bombas están diseñadas para bombear sólo agua que no se destina para el consumo humano. Todo otro uso puede provocar lesiones al operador o puede dañar la bomba y otros bienes. Cada vez que encienda el motor, previamente deberá realizar una revisión del mismo. Así puede evitar un accidente o un daño al equipo. La mayoría de los accidentes se pueden evitar si sigue todas las instrucciones que se encuentran en este manual y en la bomba. A continuación se mencionan los peligros más comunes, junto con la mejor forma para protegerse a usted mismo y a los demás.

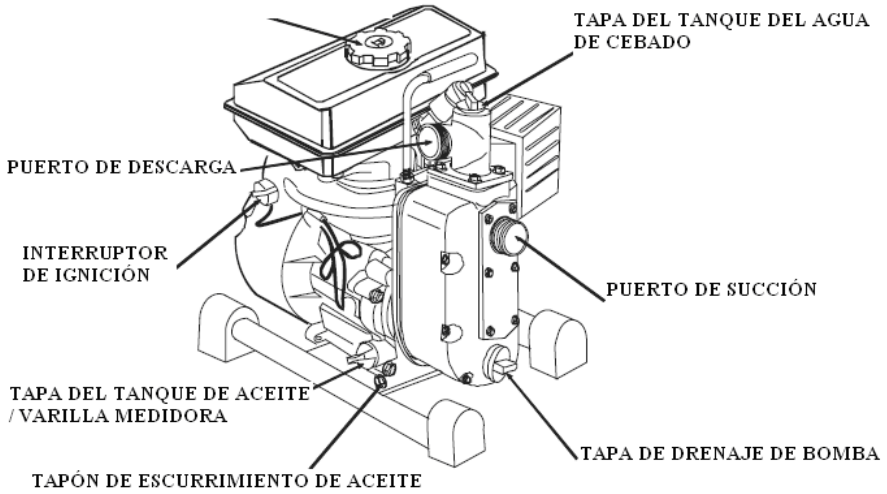
### RESPONSABILIDAD DEL OPERADOR

El operador tiene la responsabilidad de seguir las medidas de seguridad necesarias para proteger a las personas y a los demás bienes. Sepa cómo detener la bomba rápidamente en caso de emergencia. Si, por algún, motivo se aleja de la bomba, siempre apague el motor. Entienda cómo se usan todos los controles y las conexiones. Asegúrese de que el operador de la bomba reciba instrucciones adecuadas. No permita operar la bomba a los niños. Mantenga a los niños y a las mascotas alejadas de la zona de operación. Operación de la bomba Bombee sólo agua que no se destine para el consumo humano. El bombeo de líquidos inflamables, como gasolina o aceites combustibles, puede provocar un incendio o una explosión, y lesiones de gravedad. El bombeo de agua de mar, gaseosas, ácidos, soluciones químicas o cualquier otro líquido que genera corrosión puede dañar la bomba. Reabastecimiento de combustible con cuidado La gasolina es extremadamente inflamable y el vapor de la gasolina puede explotar. Reabastezca el combustible al aire libre, en un lugar bien ventilado, con el motor apagado y la bomba en una superficie nivelada. No llene el tanque de combustible por sobre el tope del filtro de combustible. Nunca fume cerca de la gasolina y manténgase alejado de otras llamas y chispas. Siempre conserve la gasolina en un recipiente aprobado. Asegúrese de limpiar todo el combustible que se haya derramado antes de encender el motor. Después de reabastecer el combustible, asegúrese de que la tapa del tanque se encuentre cerrada en forma adecuada y segura. Escape de calor El silenciador se calienta mucho durante la operación y sigue caliente por un tiempo después de apagar el motor. Tenga cuidado de no tocar el silenciador mientras esté caliente. Deje que el motor se enfríe antes de transportar la bomba o de guardarla en un recinto. Para evitar riesgos de incendio, conserve la bomba a 3 pies (1 metro) de distancia como mínimo de las paredes del edificio y de otros equipos durante su operación. No coloque objetos inflamables cerca del motor. El gas de escape de monóxido de carbono contiene monóxido de carbono tóxico. Evite inhalar el gas de escape. Nunca utilice el motor en un garaje cerrado o en un área cerrada.

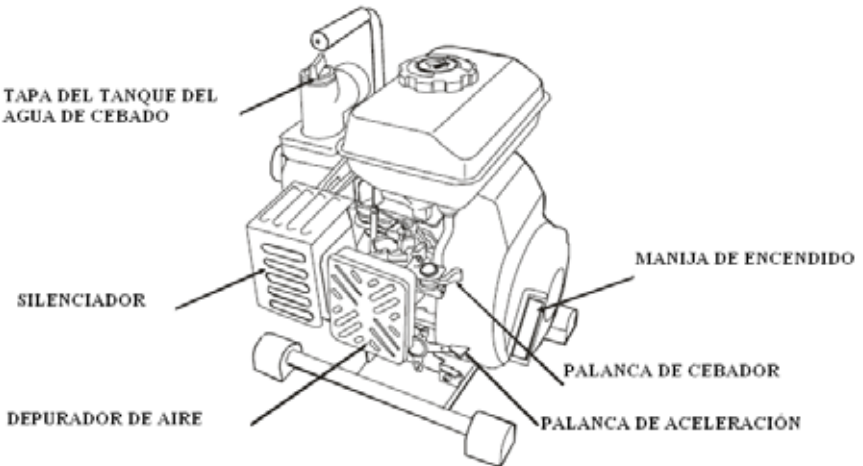
## CAPÍTULO 2 COMPONENTE

### COMPONENTES Y LUGARES DE CONTROL

TAPA DEL TANQUE DE COMBUSTIBLE



TAPA DEL TANQUE DEL AGUA DE CEBADO



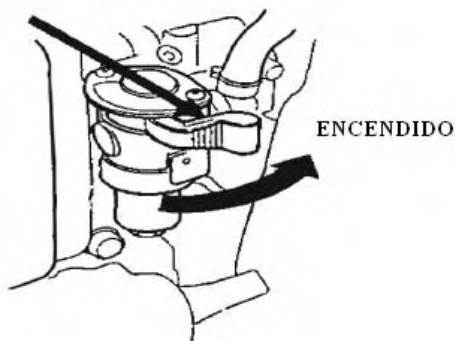
## CAPÍTULO 3 CONTROLES

---

### **PALANCA DE LA VÁLVULA DE COMBUSTIBLE**

La válvula de combustible abre y cierra el pasaje entre el tanque de combustible y el carburador. La palanca de la válvula de combustible debe estar en la posición ENCENDIDO para que el motor funcione. Cuando el motor no está en uso, deje la palanca de la válvula de combustible en la posición APAGADO para evitar que el carburador se inunde y así disminuir la posibilidad de derrame de combustible.

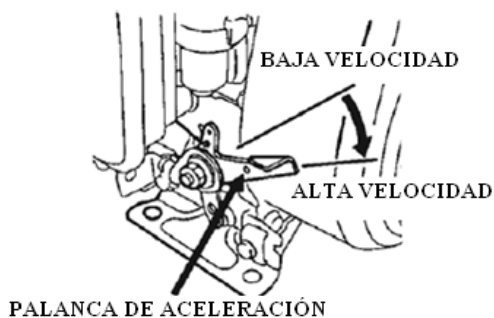
### **VÁLVULA DE COMBUSTIBLE**



### **PALANCA DE ACELERACIÓN**

La palanca de aceleración controla la velocidad del motor.

Mover la palanca de aceleración en las direcciones que se ilustra hace que el motor funcione más rápido o más lento.



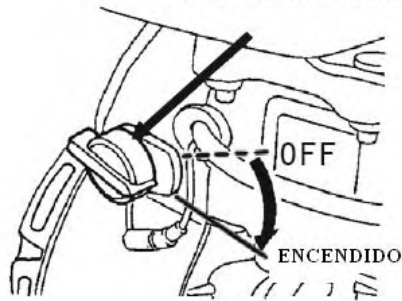
### **INTERRUPTOR DEL MOTOR**

El interruptor del motor habilita o deshabilita el sistema de ignición.

El interruptor del motor debe estar en la posición ENCENDIDO para que el motor funcione.

Si el interruptor del motor se coloca en la posición APAGADO se detiene el motor.

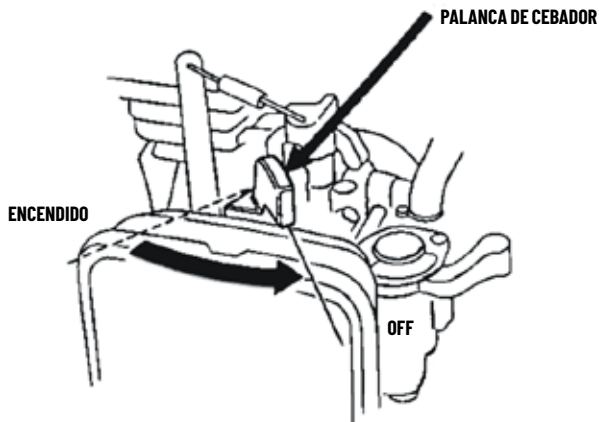


**INTERRUPTOR DEL MOTOR****PALANCA DE CEBADOR**

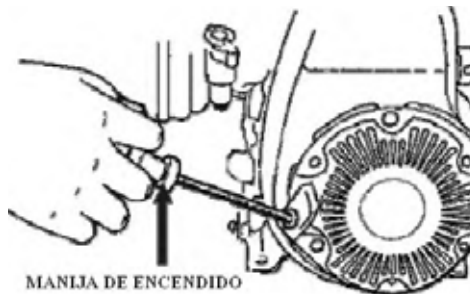
La palanca de cebador abre y cierra la válvula del cebador en el carburador.

La posición CERRADO enriquece la mezcla de combustible para encender un motor frío.

La posición ABIERTO brinda la mezcla de combustible adecuada para la operación luego del encendido, y para volver a encender un motor caliente. Algunas aplicaciones de motor utilizan un control de cebador montado en forma remota en lugar de la palanca de cebador montada en el motor que se ilustra en este manual.

**MANIJA DE ENCENDIDO MANUAL (A CUERDA)**

Al tirar de la manija de encendido se activa el encendido manual para encender el motor con cuerda.



## CAPÍTULO 4

### ANTES DE HACERLO FUNCIONAR, VERIFIQUE LO SIGUIENTE:

---

#### ¿EL MOTOR ESTÁ LISTO PARA FUNCIONAR?

Por su seguridad y para maximizar la vida útil de su equipo, es importante que se tome algunos minutos antes de hacer funcionar el motor para verificar su estado. Antes de hacer funcionar el motor, asegúrese de solucionar usted mismo todos los problemas que puedan surgir o bien comuníquese con el representante del servicio técnico.



#### ADVERTENCIA

El mantenimiento inadecuado de este motor o si no soluciona un problema antes de ponerlo en funcionamiento podría ocasionar una falla y, como consecuencia, usted podría sufrir una lesión grave. Antes de cada uso, realice una inspección previa al funcionamiento, y corrija todos los problemas.

Antes de comenzar las verificaciones previas al funcionamiento, asegúrese de que el motor se encuentre apoyado a nivel y de que el interruptor del motor se encuentre en la posición APAGADO.

#### VERIFIQUE EL ESTADO GENERAL DEL MOTOR

Revise alrededor del motor y debajo de éste en busca de rastros de pérdida de aceite o de gasolina. Quite la suciedad o los residuos, especialmente alrededor del silenciador y del encendido manual (a cuerda). Busque signos de daño. Verifique que todos los protectores y las tapas estén en su lugar, y que todas las tuercas, los pernos y tornillos estén ajustados.

#### VERIFIQUE EL MOTOR

Verifique el nivel de aceite del motor. Hacer funcionar el motor con un nivel de aceite bajo puede dañar al motor. El sistema de Alerta de Aceite (tipos de motor aplicable) apagará al motor en forma automática antes de que el nivel de aceite descienda por debajo de los límites seguros. Sin embargo, para evitar la molestia de una detención sorpresiva, antes del encendido, siempre verifique el nivel de aceite. Verifique el filtro de aire. Un filtro de aire sucio limitará el flujo de aire al carburador y disminuirá el rendimiento del motor. Verifique el nivel de combustible. Encender el motor con el tanque lleno evitará o disminuirá las interrupciones de la operación para el reabastecimiento de combustible.

#### VERIFIQUE EL EQUIPO ALIMENTADO POR ESTE MOTOR

Lea las instrucciones que se suministran con el equipo que alimenta este motor para tener en cuenta los cuidados y procedimientos a seguir antes de encender el motor.

## CAPÍTULO 5

### FUNCIONAMIENTO

#### PRECAUCIONES PARA UN FUNCIONAMIENTO SEGURO

Antes de hacer funcionar el motor por primera vez, por favor, lea la INFORMACIÓN IMPORTANTE DE SEGURIDAD y el capítulo titulado ANTES DE SU FUNCIONAMIENTO.



#### ADVERTENCIA

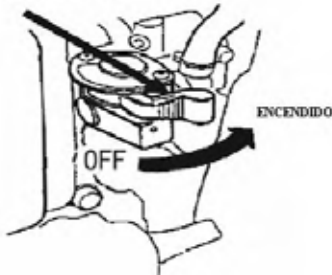
El gas de monóxido de carbono es tóxico. Su inhalación puede ocasionar la pérdida de la conciencia e incluso puede provocar la muerte. Evite las zonas o las acciones que lo expongan al monóxido de carbono.

Lea las instrucciones que se entregan junto con el equipo que alimenta este motor respecto de las medidas de seguridad que se deben adoptar junto con el encendido, la detención o el funcionamiento del motor.

#### ENCENDIDO DEL MOTOR

1. Mueva la palanca de la válvula de combustible a la posición ENCENDIDO.

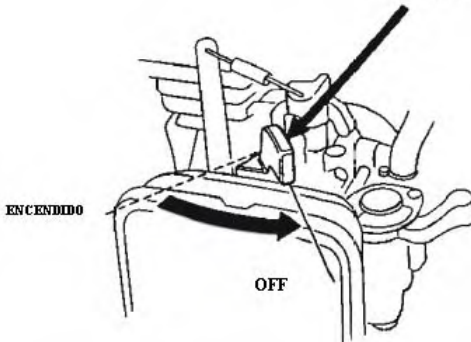
VÁLVULA DE COMBUSTIBLE



2. Para encender un motor frío, mueva la palanca del cebador a la posición CERRADO.

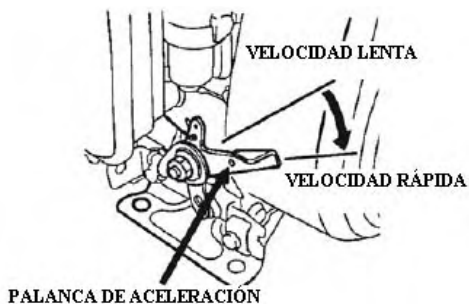
Para reiniciar un motor caliente, deje la palanca de cebador en la posición ABIERTO. Algunas aplicaciones de motor utilizan un control de cebador montado en forma remota en lugar de la palanca de cebador montada en el motor que se ilustra en este manual.

PALANCA DE CEBADOR

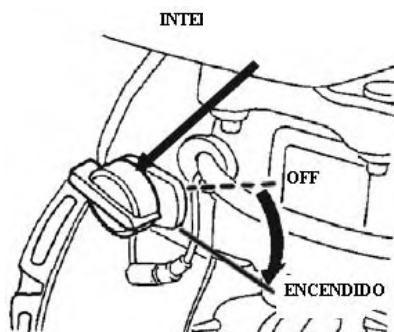


3. Mueva la palanca de aceleración fuera de la posición LENTO, cerca de 1/3 del trecho hacia la posición RÁPIDO.

Algunas aplicaciones de motor utilizan un control de aceleración montado en forma remota en lugar de la palanca de aceleración montada en el motor que se ilustra en el presente.

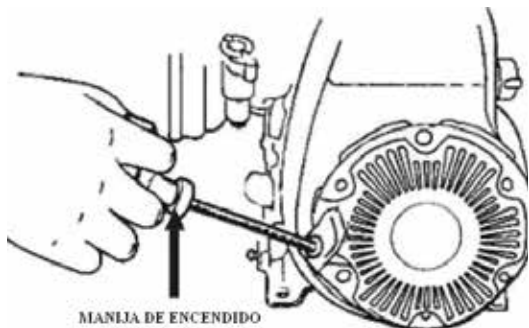


4. Coloque el interruptor del motor en la posición

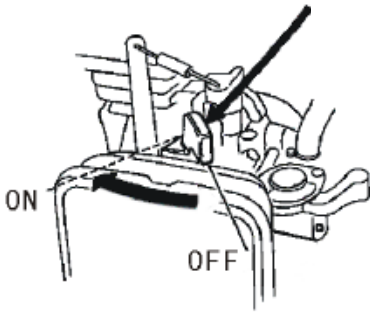


5. ENCENDIDO

ENCENDIDO MANUAL A CUERDA (todo tipo de motores): Tire la manija de encendido suavemente hasta que sienta resistencia, luego, tire con firmeza. Coloque la manija de encendido en su lugar con cuidado.



6. Si la palanca de cebador se hubiera colocado en la posición CERRADO para arrancar el motor, muévala gradualmente a la posición ABIERTO a medida que el motor se calienta.

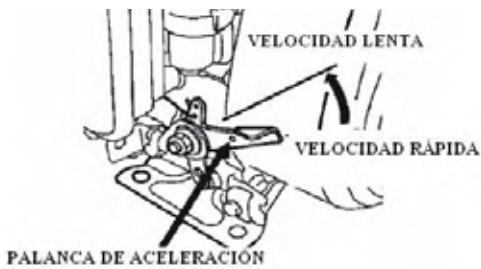


#### APAGADO DEL MOTOR

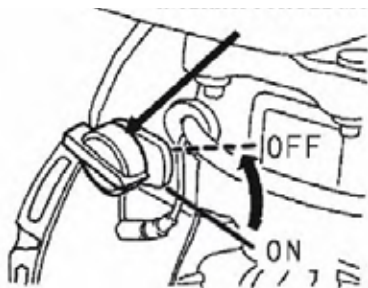
Para apagar el motor ante una emergencia, sólo debe colocar el interruptor del motor en la posición APAGADO. En condiciones normales, siga el procedimiento que sigue.

1. Mueva la palanca de aceleración a la posición LENTO.

Algunas aplicaciones de motor utilizan un control de aceleración montado en forma remota en lugar de la palanca de aceleración montada en el motor que se ilustra en el presente.

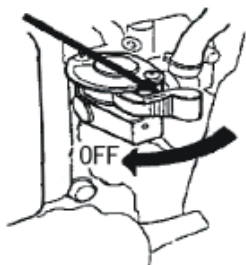


2. Coloque el interruptor del motor en la posición APAGADO.



3. Mueva la palanca de la válvula de combustible a la posición APAGADO.

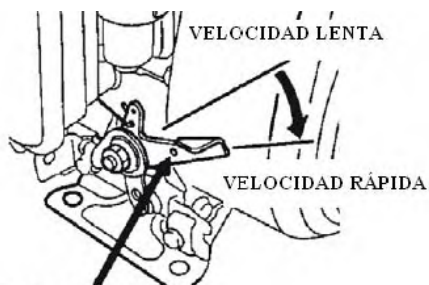
**VÁLVULA DE COMBUSTIBLE**



**CONFIGURACIÓN DE LA VELOCIDAD DEL MOTOR**

Coloque la palanca de aceleración en la velocidad de motor deseada.

Algunas aplicaciones de motor utilizan un control de aceleración montado en forma remota en lugar de la palanca de aceleración montada en el motor que se muestra en el presente. Para obtener recomendaciones de velocidad de motor, consulte las instrucciones suministradas con el equipo que este motor alimenta.



**PALANCA DE ACCELERATION**

# CAPÍTULO 6

## MANTENIMIENTO

---

### LA IMPORTANCIA DEL MANTENIMIENTO

El buen mantenimiento es fundamental para la operación segura, económica y sin que se presenten inconvenientes. También será útil para una menor contaminación del aire.



#### ADVERTENCIA

El mantenimiento inadecuado de este motor o bien no solucionar un problema antes de su operación pueden provocar fallas que podrían generar una lesión grave o hasta provocar la muerte. Siempre siga las recomendaciones de revisión y mantenimiento y los cronogramas que se detallan en este manual del usuario.

Como ayuda para brindar el cuidado adecuado a su motor, en las páginas que siguen se incluye un cronograma de mantenimiento, procedimientos de revisión de rutina y procedimientos de mantenimiento sencillos, que implican el uso herramientas manuales básicas. Un profesional será quien mejor maneje las demás tareas de servicio que son más complejas o para las que se necesita herramientas especiales, las que comúnmente son realizadas por un técnico u otro mecánico calificado. El cronograma de mantenimiento es aplicable en condiciones normales de operación. Si utiliza su motor en condiciones fuera de lo común, tales como la operación constante con cargas elevadas o a temperaturas elevadas, o lo utiliza en condiciones más húmedas o sucias que las usuales, consulte a su representante de servicio técnico respecto de las recomendaciones aplicables a sus necesidades y a su uso particular.

### SEGURIDAD DE MANTENIMIENTO

A continuación se detallan algunas de las medidas de seguridad más importantes. Sin embargo, en este manual no podemos prever todos los riesgos concebibles que pueden surgir al realizar el mantenimiento. Sólo usted puede decidir llevar o no a cabo una tarea en particular.



#### ADVERTENCIA

Si no cumple de manera adecuada con las instrucciones y los cuidados de mantenimiento, pueden provocar fallas que podrían generar una lesión grave o hasta provocar la muerte. En todo momento atégase a los procedimientos y a los cuidados que se detallan en el manual del usuario.

### MEDIDAS DE SEGURIDAD

Asegúrese de que el motor se encuentre apagado antes de comenzar con las tareas de mantenimiento o con las reparaciones. Esto eliminará varios peligros potenciales:

- Intoxicación con monóxido de carbono del escape del motor. Cuando opere el motor, asegúrese de que haya una ventilación adecuada.
- Quemaduras con las partes calientes. Deje que el motor y el sistema de escape se enfríen antes de tocar el motor.
- Daños con las partes móviles. No encienda el motor salvo que se le indique que lo haga.

Lea las instrucciones antes de comenzar y asegúrese de contar con las herramientas y el conocimiento necesarios. Para disminuir la posibilidad de incendio o explosión, tenga cuidado al trabajar cerca de la gasolina. Para limpiar las partes, sólo utilice solventes no inflamables, no utilice gasolina. Mantenga cigarrillos, chispas y llamas alejadas de todas las partes que estén relacionadas con el combustible.

Recuerde que su representante de servicio técnico es quien mejor conoce su motor y cuenta con todo el equipamiento necesario para su mantenimiento y reparación. Para garantizar la mejor calidad y confiabilidad, sólo use repuestos nuevos, originales o sus equivalentes en las operaciones de reparación y reemplazo.

## CRONOGRAMA DE MANTENIMIENTO

PERIODO DE SERVICIO REGULAR, se realiza en los meses establecidos o luego del intervalo en horas de operación, lo que suceda primero.		Cada uso	Primer mes o 20 horas	Cada 3 meses o 50 horas	Cada 6 meses o 100 horas	Cada año o 300 horas
PARTE						
• Aceite de motor	Verificar nivel	0				
	Cambiar		0		0	
• Depurador de aire	Verificar	0				
	Limpiar			0 (1)		
	Reemplazar					
• Depósito de sedimentos	Limpiar				0	
• Bujía Supresor de chispas (repuestos)	Verificar - Limpiar				0	
	Reemplazar					0*
• Pare-étincelles (pièces en option) Ralenti	Limpiar				0	
• Marcha en punto muerto	Verificar - Limpiar					0 (2)
• Espacio de válvula	Verificar - Ajustar					0 (2)
• Tanque y filtro de combustible	Limpiar					0 (2)
• Cámara de combustión	Limpiar			Después de cada 300 horas (2)		
• Línea de combustible	Verificar			Cada 2 años (reemplazar en caso de ser necesario)(2)		

• Partes relacionadas con la emisión.

\* Sólo reemplazar el tipo de elemento papel.

(1) Cuando el motor se utiliza en zonas con polvo, realizar el servicio con mayor frecuencia

(2) Estas partes deberían ser controladas por su representante de servicio técnico, salvo que cuente con las herramientas adecuadas y sean aptas en términos mecánicos. Con relación a los procedimientos de reparación, consulte el manual.

## REABASTECIMIENTO DE COMBUSTIBLE

Capacidades del tanque de combustible :

0,47 US qt (1,4L)

Con el motor detenido, extraiga la tapa del tanque de combustible y verifique el nivel de combustible. Si el nivel de combustible es bajo, llene el tanque.

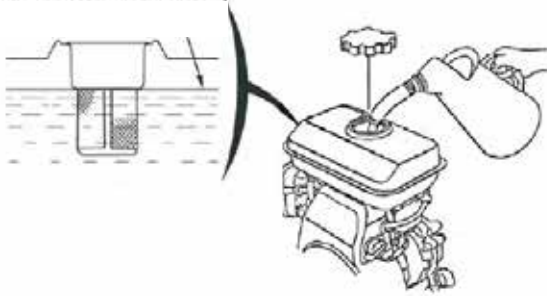


### ADVERTENCIA

La gasolina es extremadamente inflamable y explosiva. Se puede quemar o puede sufrir lesiones de gravedad al manipular el combustible. Detenga el motor y manténgase alejado del calor, las chispas y las llamas. Reabastezca el combustible al aire libre únicamente. Limpie los derrames en forma inmediata.



## NIVEL DE COMBUSTIBLE MÁXIMO



Realice el reabastecimiento de combustible en una zona bien ventilada antes de encender el motor. Si el motor estuvo encendido, deje que se enfríe. Realice el reabastecimiento con cuidado para evitar el derrame de combustible. No llene por sobre el tope del filtro de combustible. Después del reabastecimiento de combustible, cierre la tapa del tanque de combustible con seguridad. Nunca reabastezca el combustible del motor en un edificio en donde los humos de la gasolina puedan entrar en contacto con llamas o chispas. Conserve la gasolina fuera de las luces testigo de otros aparatos, parrillas eléctricas, aparatos eléctricos, herramientas eléctricas, etc. El combustible derramado no sólo representa un peligro de incendio, sino que ocasiona daños ambientales. Limpie los derrames en forma inmediata.

### ADVERTENCIA

El combustible puede dañar pinturas y plásticos. Tenga cuidado y no derrame combustible al llenar el tanque. El daño ocasionado por combustible derramado no está cubierto por la garantía.

### RECOMENDACIONES SOBRE EL COMBUSTIBLE

#### Utilice gasolina sin plomo de 86 octanos o más.

Estos motores están certificados para trabajar con gasolina sin plomo. La gasolina sin plomo genera menos depósitos en el motor y en la bujía y prolonga la vida útil del sistema de escape. No utilice gasolina o una mezcla de aceite / gasolina usada o contaminada. Evite que entre basura o agua en el tanque de combustible. Cada tanto puede escuchar suaves "golpecitos de chispas" o "zumbido" (ruido de golpeteo metálico) mientras se operan cargas pesadas. Esto no es motivo de preocupación. Si hay ruido de golpecitos de chispas o un zumbido a una velocidad constante del motor, con carga normal, cambie de marca de gasolina. Si el ruido continúa, consulte a un representante de servicio técnico autorizado.

### ADVERTENCIA

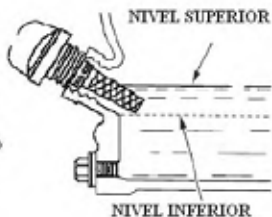
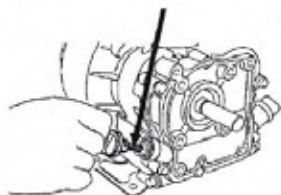
Utilizar el motor con un ruido de golpecitos de chispas o zumbido puede dañarlo. Utilizar el motor con un ruido de golpecitos de chispas o zumbido constante se considera un uso incorrecto, y la Garantía Limitada del Distribuidor no cubre las partes dañadas tales malos usos.

### VERIFICACIÓN DEL NIVEL DE ACEITE DEL MOTOR

Verifique el nivel de aceite del motor con el motor detenido y en posición nivelado.

1. Extraiga la tapa del tanque / la varilla medidora y límpiela.

TAPA DEL TANQUE DE ACEITE /  
VARILLA MEDIDORA



2. Inserte y extraiga la varilla medidora sin enroscarla por el cuello del tanque. Verifique el nivel de aceite que aparece en la varilla medidora
3. Si el nivel de aceite es bajo, llene hasta el borde del agujero del tanque de aceite con el aceite recomendado
4. Enrosque la tapa del tanque / la varilla medidora firmemente.

#### ADVERTENCIA

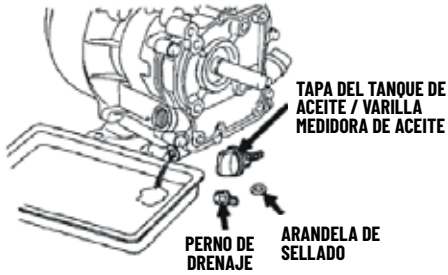
Hacer funcionar el motor con un nivel de aceite bajo puede dañar al motor.

El sistema de Alerta de Aceite (tipos de motor aplicable) detendrá al motor en forma automática antes de que el nivel de aceite descienda a niveles por debajo del límite de seguridad. No obstante lo cual, para evitar la molestia de una detención sorpresiva, antes del encendido, siempre verifique el nivel de aceite.

#### CAMBIO DE ACEITE DEL MOTOR

Escorra el aceite usado con el motor caliente. El aceite caliente se escurre rápidamente y lo hace en su totalidad.

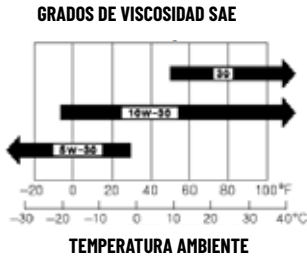
1. Coloque un recipiente adecuado debajo del motor para recolectar el aceite usado. Luego, extraiga la tapa del tanque / la varilla medidora y el tapón de escurrimiento.
2. Permita que se escurra todo el aceite usado, y luego vuelva a colocar el tapón de escurrimiento, asegúrelo. Le rogamos que el aceite de motor usado lo deseché en forma compatible con el medioambiente. Le sugerimos que lleve el aceite usado en un recipiente sellado al centro de reciclaje local o a la estación de servicio para su reciclado. No lo arroje a la basura; viértalo en la tierra; o por el desagüe.
3. Una vez que el motor se encuentre nivelado, llene hasta el borde exterior del agujero del tanque de aceite con el aceite recomendado. Capacidades de aceite de motor: 0,48 US qt (0,45 litros) Hacer funcionar el motor con un nivel de aceite bajo puede dañar al motor. El sistema de Alerta de Aceite (tipos de motor aplicable) detendrá al motor en forma automática antes de que el nivel de aceite descienda a niveles por debajo del límite de seguridad. No obstante lo cual, evite la incomodidad de una interrupción sorpresiva, llene al límite superior y verifique el nivel de aceite con regularidad.
4. Enrosque la tapa del tanque / la varilla medidora firmemente.



## SERVICIO TÉCNICO DE SU MOTOR

### RECOMENDACIONES SOBRE EL ACEITE DEL MOTOR

El aceite es un factor principal que afecta el rendimiento y la vida útil. Utilice aceite detergente para automóvil de 4 tiempos. Para uso general se recomienda SAE 10W-30. Cuando la temperatura promedio en su zona se encuentra dentro del rango recomendado, puede utilizar otras viscosidades que se muestran en el cuadro.

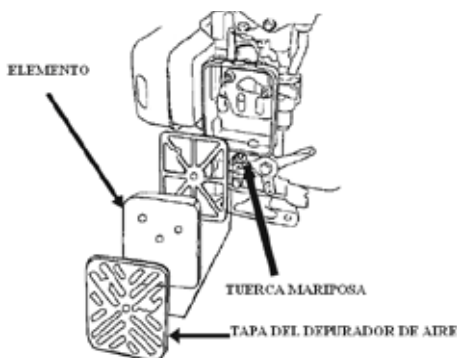


La clasificación SAE (Sociedad de Ingenieros Automotrices; SAE, por sus siglas en inglés) de viscosidad del aceite y la clasificación de servicio se indican en la etiqueta API (Instituto del Petróleo Estadounidense; API, por sus siglas en inglés) en el envase del aceite. Le sugerimos que utilice el aceite de categoría de SERVICIO API SE o SF.

### REVISIÓN DEL FILTRO DE AIRE

Extraiga la tapa del depurador de aire y revise el filtro. Limpie o reemplace los elementos del filtro que estén sucios. Siempre reemplace los elementos del filtro que estén dañados. Si cuenta con un depurador de aire con baño de aceite, también verifique el nivel de aceite.

ES



#### SERVICIO TÉCNICO DEL DEPURADOR DE AIRE

Un filtro de aire sucio limitará el flujo de aire al carburador, esto disminuirá el rendimiento del motor.

Si utiliza el motor en zonas de mucho polvo, limpie el filtro de aire con más frecuencia de la que se indica en el CRONOGRAMA DE MANTENIMIENTO.

#### ADVERTENCIA

La utilización del motor sin un filtro de aire o con un filtro de aire dañado permitirá la entrada de polvo al motor, lo que provocará el desgaste rápido del motor. Este tipo de daño no se encuentra cubierto por la Garantía Limitada del Distribuidor.

#### SERVICIO TÉCNICO DE BUJÍAS

Bujías recomendadas: E5T o equivalentes.

#### ADVERTENCIA

Una bujía inadecuada puede dañar el motor.

1. Desconecte el capuchón de la bujía y extraiga la suciedad en torno a la zona de las bujías.
2. Extraiga la bujía con una llave para bujías.



3. Revise la bujía. Reemplácela si los electrodos están gastados o si el aislante aparece quebrado o astillado.
4. Mida el espacio de electrodo de la bujía con un instrumento adecuado. El espacio debería ser de 0,028 - 0,031 pulgadas (0,70 - 0,80 mm). Corrija la separación, en caso de ser necesario, doblando cuidadosamente el electrodo lateral.
5. Instale la bujía con cuidado, manualmente, para evitar dañar la rosca.
6. Una vez que encaja la bujía, ajuste con una llave para bujías para comprimir el agua. Si está reinstalando una bujía usada, ajuste 1/8 - 1/4 de vuelta después de que la bujía encaja. Si está instalando una bujía nueva, ajuste 1/2 de vuelta después de que la bujía encaja.

**ADVERTENCIA**

Una bujía floja puede recalentar y dañar el motor.

Una bujía ajustada por demás puede dañar las roscas en el cabezal del cilindro.

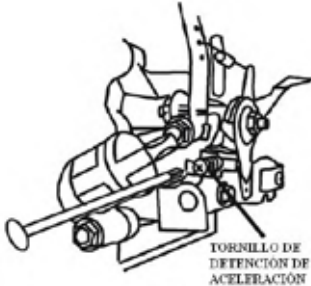
7. Ajuste el capuchón de la bujía.

**AJUSTE DE MARCHA EN PUNTO MUERTO**

1. Encienda el motor al aire libre y déjelo calentar hasta alcanzar una temperatura de operación.

2. Mueva la palanca del acelerador a la posición LENTO.

3. Gire el tornillo de detención de aceleración para obtener la velocidad de punto muerto estándar. Velocidad de punto muerto estándar: 2.200±150 rpm



## CAPÍTULO 7

### GUARDADO / TRANSPORTE

---

**GUARDE SU MOTOR****PREPARACIÓN PARA EL GUARDADO**

La preparación adecuada para el guardado es fundamental para conservar el motor libre de fallas y en buen estado. Los pasos que se indican a continuación contribuirán para que el óxido y la corrosión no deterioren el funcionamiento ni la apariencia de su motor. Asimismo, harán que sea más fácil arrancar su motor después de su guardado.

**LIMPIEZA**

Si el motor estuvo funcionando, permita que se enfríe durante al menos media hora antes de limpiarlo. Limpie las superficies exteriores, retoque la pintura dañada y cubra las demás áreas que se pueden oxidar con una ligera capa de aceite.

**ADVERTENCIA**

La utilización de la manguera de jardín o equipo de lavado por presión puede introducir agua en el depurador de aire o en la abertura del silenciador. El agua en el depurador de aire inundará el filtro de aire, y el agua que atraviesa el filtro de aire o el silenciador puede entrar en el cilindro, y ocasionar daños. El agua en contacto con un motor caliente puede ocasionar daños. Si el motor estuvo funcionando, permita que se enfríe durante al menos media hora antes de lavarlo.

## COMBUSTIBLE

La gasolina se oxidará y deteriorará durante el período de guardado. La gasolina vieja hará que el arranque sea difícil y dejará depósitos de goma que obstruyen el sistema de combustible. Si la gasolina en su motor se deteriora durante el tiempo de guardado, puede ser que necesite reparar o reemplazar el carburador y otros componentes del sistema de combustible. El tiempo durante el cual puede dejar gasolina en su tanque de combustible y carburador sin ocasionar problemas variará conforme a factores tales como mezclas de gasolina, la temperatura de guardado y si el tanque se encuentra total o parcialmente lleno. El aire en un tanque de combustible parcialmente lleno genera un ambiente propicio para el deterioro del combustible. Las temperaturas de almacenamiento muy cálidas aceleran el deterioro del combustible. Los problemas de deterioro de combustible pueden tener lugar en pocos meses o aún en menos tiempo si la gasolina no era fresca en el momento en que llenó el tanque de combustible. La Garantía Limitada del Distribuidor no cubre el daño al sistema de combustible o problemas en el rendimiento del motor consecuencia de la negligencia en la preparación para el guardado. Puede extender la vida de almacenamiento del combustible agregando un estabilizador de combustible formulado a tal fin. Asimismo, puede evitar los problemas de deterioro del combustible al drenar el tanque de combustible y el carburador.

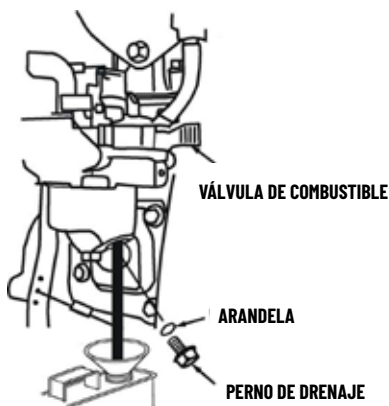
### AGREGADO DE UN ESTABILIZADOR DE COMBUSTIBLE PARA PROLONGAR LA VIDA DE ALMACENAMIENTO DEL COMBUSTIBLE

Al agregar un estabilizador de combustible, llene el tanque de combustible con gasolina fresca. Si sólo se llena parcialmente, el aire en el tanque creará un ambiente propicio para el deterioro del combustible durante el almacenamiento. Si conserva un recipiente para gasolina para el reabastecimiento, asegúrese de que contenga gasolina fresca exclusivamente.

1. Agregue un estabilizador de combustible conforme a las instrucciones del fabricante.
2. Después de agregar un estabilizador de combustible, haga funcionar el motor al aire libre durante 10 minutos para asegurarse de que la gasolina tratada haya reemplazado la gasolina sin tratar en el carburador.
3. Detenga el motor, y mueva la válvula de combustible a la posición APAGADO.

### DRENAJE DEL TANQUE DE COMBUSTIBLE Y DEL CARBURADOR

1. Coloque un recipiente de gasolina adecuado debajo del carburador y utilice un embudo para evitar el derrame de combustible.
2. Extraiga el perno de drenaje del carburador y el depósito de sedimentos y luego mueva la palanca de la válvula de combustible a la posición ENCENDIDO.



3. Después de escurrir todo el combustible en el recipiente, vuelva a colocar el perno de drenaje y el depósito de sedimentos. Ajústelos firmemente

### **PRECAUCIONES DE GUARDADO**

1. Cambie el aceite del motor.
2. Extraiga las bujías.
3. Vierta una cucharada (5-10 cc) de aceite de motor limpio en el cilindro.
4. Tire de la cuerda de arranque varias veces para distribuir el aceite en el cilindro.
5. Vuelva a instalar las bujías.
6. Tire de la cuerda de arranque lentamente hasta sentir resistencia. Esto cerrará las válvulas, entonces la humedad no puede ingresar al cilindro del motor. Con cuidado, coloque la cuerda de arranque en su lugar. Si guarda su motor con gasolina en el tanque de combustible y carburador, es importante que reduzca el riesgo de ignición del vapor de la gasolina. Elija un lugar de almacenamiento con buena ventilación, lejos de los dispositivos que funcionan con llamas, tal como un horno, caldera o secador de ropa. Además, evite las zonas con motores eléctricos que generan chispas o en donde se operan herramientas eléctricas. De ser posible, evite zonas con humedad elevada, porque promueve la oxidación y la corrosión. Salvo que se haya escurrido el combustible del tanque de combustible, deje la palanca de la válvula de combustible en la posición APAGADO para disminuir la posibilidad de pérdida de combustible. Coloque el equipo de forma tal que el motor esté nivelado. Una inclinación puede generar una pérdida de combustible o de aceite. Con el motor y el sistema de escape fríos, cubra el motor para que no se ensucie. Un motor y sistema de escape caliente puede encender o derretir algunos materiales. No utilice películas de plástico como cobertura contra el polvo. Un cobertor no poroso atraparé la humedad alrededor del motor, lo que llevará a la oxidación y la corrosión. Si cuenta con una batería para un arranque eléctrico, recargue la batería una vez por mes durante el periodo en el cual el motor se encuentra almacenado. Esto será de ayuda para prolongar la vida útil de la batería.

### **RETIRO DE GUARDADO**

Verifique su motor tal como se describe en el capítulo ANTES DE OPERAR VERIFIQUE LO SIGUIENTE.

Si al preparar el motor para el guardado, se escurrió el combustible, llene el tanque con gasolina fresca. Si conserva un recipiente con gasolina para el reabastecimiento, asegúrese de que contenga gasolina fresca exclusivamente. La gasolina se oxida y se deteriora con el tiempo, lo que hace que el arranque sea más difícil. Si los cilindros se cubrieron con aceite al preparar el motor para el guardado, el motor puede emitir un poco de humo al encenderlo. Esto es normal

### **TRANSPORTE**

Si el motor estuvo en funcionamiento, déjelo enfriar durante al menos 15 minutos antes de cargar el equipo que el motor alimenta en el vehículo de transporte. Un motor y sistema de escape calientes pueden quemarlo y pueden encender algunos materiales. Al transportar el motor, asegúrese de que esté nivelado para disminuir la posibilidad de pérdida de combustible. Mueva la palanca de la válvula de combustible a la posición APAGADO.

## CAPÍTULO 8

### SOLUCIÓN DE PROBLEMAS

EL MOTOR NO ARRANCA	CAUSA POSIBLE	SOLUCIÓN
Arranque eléctrico: revise la batería	Batería descargada.	Recargue la batería.
Verifique las posiciones de control	Válvula de combustible APAGADO.	Mueva la palanca a ENCENDIDO.
	Cebador ABIERTO.	Mueva la palanca a CERRADO, salvo que el motor esté caliente
	Interruptor de motor APAGADO.	Coloque el interruptor del motor en ENCENDIDO.
Verifique el combustible.	Sin combustible.	Reabastecer
	Combustible malo; motor guardado sin el tratamiento o el escurrimiento de la nafta, o reabastecido con nafta en mal estado.	Escrura el tanque de combustible y el carburador. Reabastezca con nafta fresca.
Extraiga y revise las bujías.	Bujías con defectos, rotas o con espacios inadecuadas.	Separe o reemplace las bujías.
	Bujías mojadas con combustible (motor inundado).	Seque y reinstale las bujías. Encienda el motor con la palanca de aceleración en posición RÁPIDO.
Lleve el motor a un representante de servicio técnico autorizado, o consulte el manual.	Filtro de combustible obstruido, falla del carburador, de la ignición, válvula trabada, etc.	Reemplace o repare los componentes con defecto según sea necesario.

EL MOTOR NO TIENE POTENCIA	CAUSA POSIBLE	SOLUCIÓN
Verifique el filtro de aire	El o los elementos de filtro se encuentran obstruidos.	Limpié o reemplace el o los elementos de filtro.
Verifique el combustible.	Sin combustible.	Reabastecer
	Combustible malo; motor almacenado sin el tratamiento o el escurrimiento de la nafta, o reabastecido con nafta en mal estado.	Escrura el tanque de combustible y el carburador. Reabastezca con nafta fresca.
Lleve el motor a un representante de reparación autorizado, o consulte el manual.	Filtro de combustible obstruido, falla del carburador, de la ignición, válvula trabada, etc.	Remplacer ou réparer les pièces défectueuses, le cas échéant.

## CAPÍTULO 9

### INFORMACIÓN TÉCNICA & PARA EL USUARIO

#### INFORMACIÓN TÉCNICA

Ubicación del Número de Serie



NÚMERO DE  
SERIE DEL TIPO



Registre el número de serie del motor en el espacio que sigue. Necesitará este número de serie para pedir repuestos y al hacer consultas técnicas o de garantía.

Número de serie del motor: \_\_\_\_\_

Modificación del carburador para operación en altitud elevada La mezcla de aire - combustible del carburador estándar será muy rica a una altitud elevada. El rendimiento decaerá y aumentará el consumo de combustible. Sumado a ello, una mezcla muy rica deteriorará la bujía y hará que el arranque sea difícil. La operación de este motor por largos periodos a una altitud que difiere de la altitud a la cual se certificó puede aumentar las emisiones. El rendimiento a altitudes elevadas se puede mejorar mediante la realización de modificaciones específicas en el carburador. Si siempre opera su motor en altitudes superiores a los 5.000 pies (1.500 metros), solicite a su representante de servicio técnico la realización de esta modificación en el carburador. Este motor, al operar en altitud elevada con las modificaciones al carburador para su uso a altitud elevada, cumplirá con el estándar de emisión durante toda su vida útil. Incluso con la modificación de carburador, los caballos de potencia del motor disminuirán alrededor de un 3,5% por cada 1.000 pies (300 metros) de aumento de altitud. El impacto de la altitud en los caballos de fuerza será mayor a este si no se realiza tal modificación en el carburador.

## ADVERTENCIA

Cuando el carburador se modificó para su operación a altitud elevada, la mezcla de combustible - aire puede ser muy perjudicial para su uso a baja altitud. La operación a una altitud por debajo de los 5.000 pies (1.500 metros) con un carburador modificado puede hacer que el motor recaliente y generar un daño grave al motor. Para su uso en altitudes bajas, haga que su representante de servicio técnico vuelva a colocar el carburador conforme a las especificaciones originales de fábrica.

## PUESTA A PUNTO DEL MOTOR

PARTE	ESPECIFICACIÓN
Separación entre bujías	0.028-0.031 pulgadas (0.70-0.80 mm)
Espacio de válvula	IN: 0.10 0.02 mm (kalt) EX: 0.15 0.02 mm (kalt)
Otras especificaciones	No hay necesidad de otros ajustes

## INFORMACIÓN PARA EL USUARIO

### Publicaciones

Las publicaciones que se indican a continuación le suministrarán información adicional para conservar y reparar su motor. Puede pedir las a su representante de servicio técnico.

### Catálogo de repuestos

Este manual suministra listas de repuestos completas y con ilustraciones.

**INFORMACIÓN PARA REFERENCIA RÁPIDA**

ACEITE DE MOTOR	TIPO	SAE 10W-30,API SJ, POUR UN USAGE GÉNÉRAL
	Capacidad	152F: 0.45 L
Bujía	Tipo	E5T o equivalentes.
	Espacio	0.028-0.031 pulgadas (0.70-0.80 mm)
Carburador	Marcha lenta	2200±150 rpm
Entretien	Cada uso	Revise el aceite de motor. Revise el filtro de aire.
	Primeras 20	Cambie el aceite del motor.
	Subsiguientes	Consulte el mantenimiento

## CAPÍTULO 10

### ESPECIFICACIONES

MODELO	HYDROBLASTER 2.5 HP
Tipo	Cilindro único, 4 marchas, refrigeración por aire forzado,
Potencia calificada (kW/3600rpm)	1.2
Arranque máx. (Nm/rpm)	4.0 N.m/2500 rpm
Consumo de combustible (g/kWh)	<435
Marcha en punto muerto (rpm)	2200 ± 150
Ratio de fluctuación de velocidad	<10 %
Ruido (< dB(A))	80 dB(A)
CalibreMarcha (mm)	52 x 46
Desplazamiento (cc)	97cc
Ratio de compresión	5,6: 1
Modo de lubricación	Salpicado
Modo de arranque	Arranque por cuerda
Rotación	Contra las agujas del reloj (desde el lado P.T.O. )
Espacio entre bujías (mm)	0.7-0.8mm
Modo de ignición	Ignición por magneto transistorizado
Depurador de aire	Semiseco

PARTE	TIPO	HYDROBLASTER 2.5 HP
Bomba	Largo(mm)	340
	Ancho(mm)	290
	Alto (mm)	370
	Peso (Kg)	13
	Diámetro del puerto de	1.5 en (40 mm)
	Diámetro del puerto de	1.5 en (40 mm)
	Succión máx. (m)	6
	Cabezal máx. (m)	18
	Capacidad máx. (m <sup>3</sup> /hr)	12

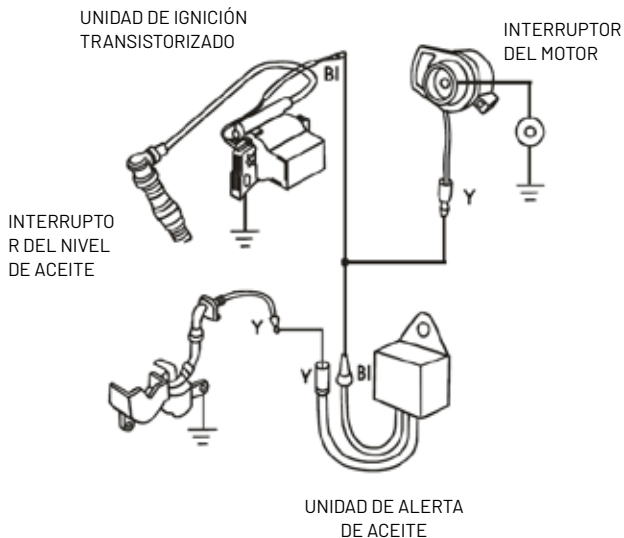
## CAPÍTULO 11

### TIPO DE MOTOR CON ALERTA DE ACEITE Y SIN ARRANQUE ELÉCTRICO

BI NEGRO

Y AMARILLO

#### UNIDAD DE IGNICIÓN TRANSISTORIZADO





# INDICE

CAPITOLO	DESCRIZIONE	PAG
1	INFORMAZIONI	99
2	COMPONENTI	101
3	COMANDI	102
4	CONTROLLO PREOPERATIVO	104
5	FUNZIONAMENTO	105
6	MANUTENZIONE	109
7	STOCCAGGIO/TRASPORTO	115
8	RISOLUZIONE GUASTI	118
9	INFORMAZIONI TECNICHE E PER IL CONSUMATORE	118
10	SPECIFICHE	120
11	TIPO DI MOTORE CON SISTEMA DI ALLARME DELL'OLIO E AVVIO ELETTRICO	121

## CAPITOLO 1 INFORMAZIONI

Grazie per aver acquistato una pompa idrica. Il presente manuale include informazioni e specifiche in vigore al momento della pubblicazione. Non è consentita la riproduzione, neppure parziale, del suo contenuto senza previo consenso scritto. Il presente manuale deve essere considerato parte integrante della pompa e deve sempre accompagnarla anche in caso di vendita. Le illustrazioni ivi contenute si basano sul modello: HYDROBLASTER 2.5HP. Esse possono variare a seconda del modello. Consigliamo di tenere il presente manuale a portata di mano in modo da poterlo consultare in ogni momento. Il presente manuale deve essere considerato parte integrante della pompa e deve sempre accompagnarla anche in caso di vendita. In caso di problemi o domande riguardanti la pompa si prega di consultare il vostro rivenditore autorizzato. La propria sicurezza e quella degli altri è molto importante. L'uso in sicurezza di questa pompa idrica costituisce un'importante responsabilità. Per aiutare l'operatore a prendere le giuste decisioni in merito alla sicurezza, basandosi su informazioni corrette, abbiamo riportato sulle etichette e nel presente manuale le indicazioni relative al funzionamento e di altro tipo. Tali informazioni avvertono dei potenziali rischi che potrebbero nuocere a se stessi e agli altri. Naturalmente non è semplice né possibile avvertire di tutti i rischi associati al funzionamento o alla manutenzione di una pompa idrica. È necessario agire sempre secondo il proprio buon senso. Le informazioni importanti per la sicurezza sono riportate in diverse forme, tra cui: Etichette di sicurezza sulla pompa. Messaggi di sicurezza preceduti da un simbolo di allerta e da una di queste tre parole di avvertimento: PERICOLO, AVVISO o ATTENZIONE. Tali parole hanno il seguente significato:

- Se non si seguono le istruzioni si rischia la MORTE o GRAVI LESIONI.
- Se non si seguono le istruzioni si PUÒ rischiare la MORTE o GRAVI LESIONI.
- Se non si seguono le istruzioni si POSSONO riportare LESIONI.
- Se non si seguono le istruzioni la pompa o altri oggetti possono essere danneggiati.

Titoli di sicurezza quali **INFORMAZIONI IMPORTANTI PER LA SICUREZZA**.  
 Paragrafo sulla sicurezza quale **SICUREZZA DELLA POMPA**.  
 Istruzioni su come utilizzare la pompa in modo corretto e sicuro.  
 Tutto il manuale contiene informazioni importanti per la sicurezza, si prega di leggerle attentamente.

## INFORMAZIONI IMPORTANTI PER LA SICUREZZA

Le pompe sono progettate per pompare solo acqua non destinata al consumo umano. Usi diversi da quello stabilito possono causare lesioni all'operatore o danneggiare la pompa e altri oggetti. Effettuare sempre un controllo preoperativo prima di avviare il motore. In questo modo si possono prevenire incidenti o danni all'impianto.

La maggior parte degli incidenti può essere prevenuta se si seguono le istruzioni riportate nel presente manuale e sulla pompa. Di seguito vengono descritti i pericoli più comuni nonché il modo migliore per proteggere se stessi e gli altri.

### RESPONSABILITÀ DELL'OPERATORE

È responsabilità dell'operatore fornire le protezioni necessarie per proteggere persone e cose. Conoscere come fermare la pompa velocemente in caso di emergenza. Se si lascia incustodita la pompa per qualsiasi ragione, spegnerla sempre. Capire l'uso di tutti i comandi e i collegamenti. Assicurarsi che chiunque usi la pompa abbia ricevuto un'appropriate preparazione. Non lasciare che la pompa venga usata da bambini. Tenere i bambini e gli animali lontani dall'area in cui si utilizza la pompa.

Utilizzo della pompa

Pompare solo acqua non destinata al consumo umano. Pompare liquidi infiammabili come benzina od oli combustibili, può generare incendi o esplosioni causando serie lesioni. Pompare acqua marina, bevande, acidi, soluzioni chimiche o qualsiasi altro liquido che favorisca la corrosione può danneggiare la pompa. Precauzioni per il rifornimento La benzina è un materiale estremamente infiammabile e i vapori possono essere esplosivi. Effettuare l'operazione di rifornimento all'aperto, in un'area ben ventilata, con il motore spento e la pompa collocata su una superficie piana. Non riempire il serbatoio oltre il margine esterno del filtro del carburante. Non fumare e tenere lontane fiamme o scintille. Conservare la benzina sempre in un contenitore idoneo. In caso di fuoriuscite di carburante, assicurarsi che l'area si asciughi prima di avviare il motore. Dopo il rifornimento, assicurarsi che il tappo del serbatoio sia chiuso correttamente e saldamente.

Gas di scarico bollenti

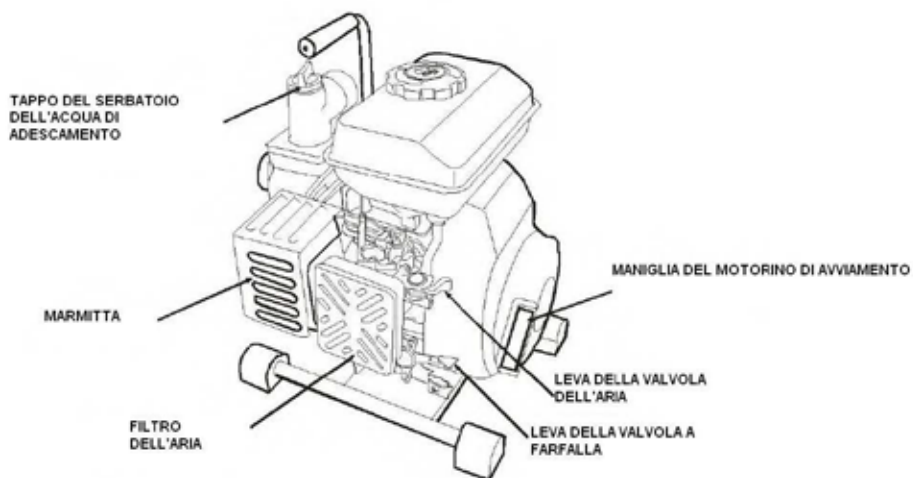
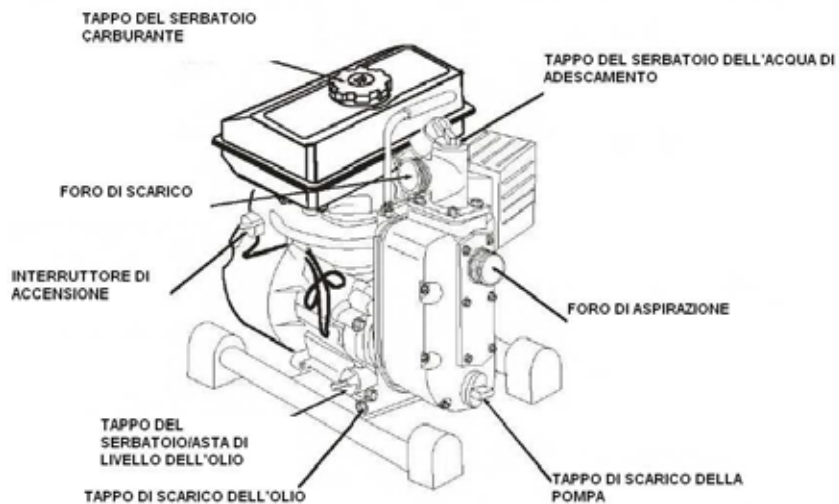
La marmitta diventa rovente quando il motore è in funzione e rimane tale per qualche tempo dopo lo spegnimento. Fare attenzione a non toccare la marmitta mentre è calda.

Lasciare raffreddare il motore prima di riporlo al chiuso. Per evitare rischi di incendio, tenere il motore a una distanza di almeno 1 m dalle pareti dell'edificio o da altri attrezzi durante il funzionamento. Non collocare oggetti infiammabili vicino al motore.

Il gas di scarico contiene particelle velenose di monossido di carbonio. Evitare l'inalazione del gas di scarico. Non far funzionare mai il motore in un garage chiuso o in un'area ristretta.

## CAPITOLO 2 COMPONENTI

### POSIZIONI DEI COMPONENTI E DEI COMANDI



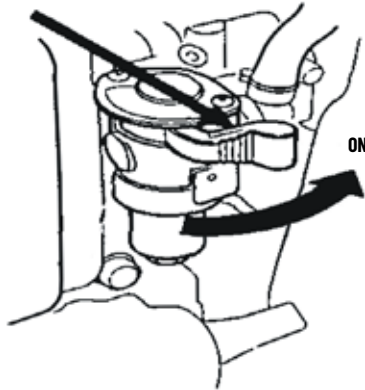
## CAPITOLO 3 COMANDI

---

### LEVA DELLA VALVOLA DEL CARBURANTE

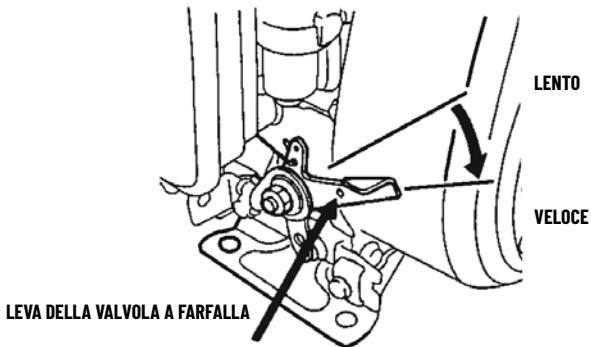
La valvola del carburante apre e chiude il passaggio del carburante tra il serbatoio e il carburatore. Perché il motore funzioni, questa leva deve trovarsi in posizione ON. Quando il motore non è in funzione, posizionare la leva della valvola su OFF per evitare che il carburatore si riempia di carburante e per ridurre le possibilità di fuoriuscite dello stesso.

#### VALVOLA CARBURANTE



### LEVA DELLA VALVOLA A FARFALLA

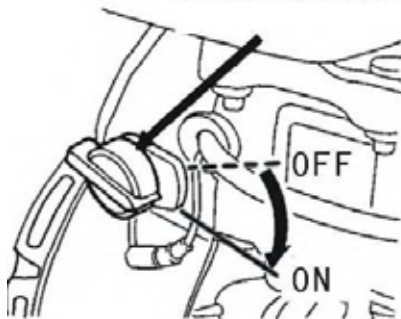
La leva della valvola a farfalla controlla la velocità del motore. Se si muove questa leva nelle direzioni indicate nella figura, il motore accelera o decelera.



### INTERRUTTORE DEL MOTORE

L'interruttore del motore controlla il sistema di accensione. Perché il motore funzioni, l'interruttore deve trovarsi in posizione ON. Per arrestare il motore, spostare l'interruttore in posizione OFF.

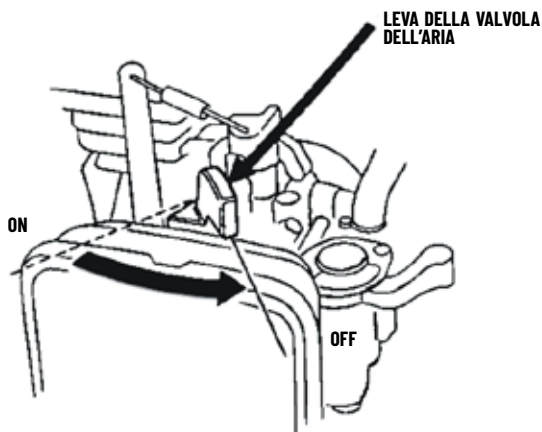


**INTERRUTTORE DEL MOTORE****LEVA DELLA VALVOLA DELL'ARIA**

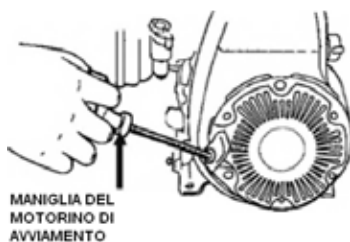
Questa leva apre e chiude la valvola dell'aria nel carburatore.

La posizione CHIUSO arricchisce la miscela di carburante quando si deve avviare il motore freddo.

La posizione APERTO fornisce la corretta miscela di carburante per il funzionamento dopo l'avvio, e per il riavvio del motore caldo. Alcuni tipi di motore usano un comando della valvola dell'aria montato a distanza, invece della leva montata direttamente sul motore e mostrata di seguito.

**MANIGLIA DEL MOTORINO DI AVVIAMENTO A CORDA**

Tirando la maniglia del motorino di avviamento a corda, si avvia il motore.



## CAPITOLO 4

### CONTROLLO PREOPERATIVO

---

#### IL MOTORE È PRONTO PER ESSERE AVVIATO?

Per salvaguardare la propria sicurezza e per massimizzare la durata dell'apparecchio, è molto importante controllare il motore prima di avviarlo. Provvedere alla risoluzione di qualsiasi problema riscontrato o chiedere al centro di assistenza di occuparsene.



#### AVVISO

Una manutenzione impropria del motore, o la mancata risoluzione di un problema prima dell'avvio, potrebbe causare un malfunzionamento generando serie lesioni all'operatore. Eseguire sempre un'ispezione pre-operativa e risolvere eventuali problemi riscontrati.

Prima di iniziare i controlli preoperativi, assicurarsi che il motore sia collocato su una superficie piana e che l'interruttore di accensione sia posizionato su OFF.

#### CONTROLLO DELLE CONDIZIONI GENERALI DEL MOTORE

Controllare l'area circostante e sottostante al motore per eventuali perdite di olio o benzina.

Rimuovere lo sporco o i detriti in eccesso, in particolare intorno alla marmitta e al motorino di avviamento.

Controllare se sussistono eventuali segni di danni

Controllare che tutte le protezioni e i coperchi siano al proprio posto, e che tutti dadi, i bulloni e le viti siano serrati.

#### CONTROLLO DEL MOTORE

Controllare il livello dell'olio del motore Il funzionamento del motore con un livello di olio basso potrebbe danneggiarlo.

Il sistema di allarme olio (sui tipi di motori dove è applicabile) ferma automaticamente il motore prima che il livello dell'olio scenda sotto i limiti di sicurezza. Tuttavia per evitare l'inconveniente di un arresto improvviso, controllare sempre il livello dell'olio prima di avviare il motore. Controllare il filtro dell'aria. Un filtro sporco limita il flusso dell'aria al carburatore, riducendo le prestazioni del motore.

Controllare il livello del carburante. Se si avvia il motore con il serbatoio pieno, si elimineranno o si ridurranno le interruzioni per il rifornimento.

#### CONTROLLO DELL'APPARECCHIO AZIONATO DA QUESTO MOTORE

Leggere le istruzioni fornite con l'apparecchio azionato dal presente motore per le precauzioni e le procedure da osservare prima dell'avvio del motore.

## CAPITOLO 5

### FUNZIONAMENTO

#### PRECAUZIONI PER UN FUNZIONAMENTO SICURO

Prima di usare il motore per la prima volta, rileggere le INFORMAZIONI IMPORTANTI PER LA SICUREZZA e il capitolo intitolato CONTROLLO PREOPERATIVO.



#### AVVISO

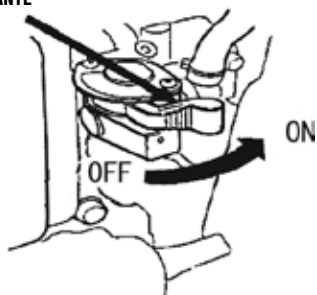
Il monossido di carbonio è un gas tossico. L'inalazione del gas può causare perdita di conoscenza e persino la morte. Evitare le aree o le azioni che potrebbero portare all'esposizione di monossido di carbonio.

Leggere le istruzioni fornite con l'apparecchio azionato dal presente motore per le precauzioni di sicurezza da osservare durante l'avvio, l'arresto o il funzionamento del motore.

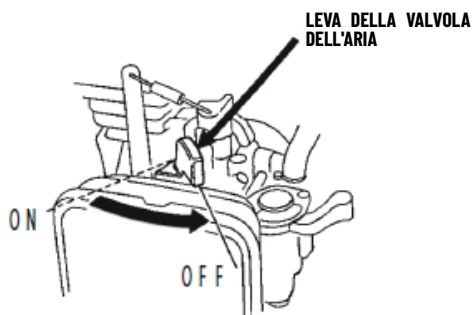
#### AVVIO DEL MOTORE

1. Spostare la leva della valvola del carburante in posizione ON

#### VALVOLA CARBURANTE

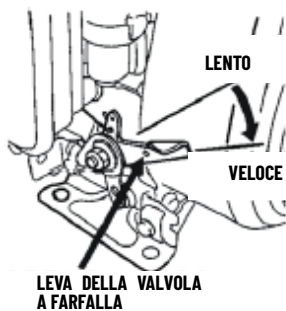


2. Per avviare un motore a freddo, posizionare la leva della valvola dell'aria su CHIUSA. Per riavviare un motore caldo, lasciare la leva della valvola dell'aria in posizione APERTA. Alcuni tipi di motore usano un comando della valvola dell'aria montato a distanza, invece della leva montata direttamente sul motore e mostrata di seguito.

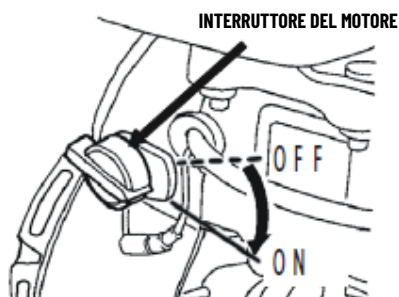


3. Spostare la leva della valvola a farfalla dalla posizione LENTO a circa 1/3 della distanza dalla posizione VELOCE.

Alcuni tipi di motore usano un comando della valvola a farfalla montato a distanza, invece della leva montata direttamente sul motore e mostrata di seguito.



4. Spostare l'interruttore del motore in posizione ON

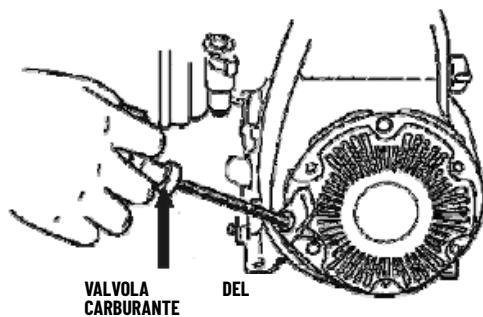


5. Accendere il motorino di avviamento

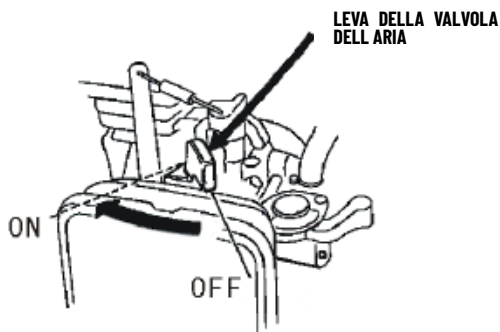
MOTORINO DI AVVIAMENTO A CORDA (tutti i tipi di motore):

Tirare la maniglia del motorino di avviamento finché non si incontra resistenza.

Riportare gentilmente in posizione la maniglia.



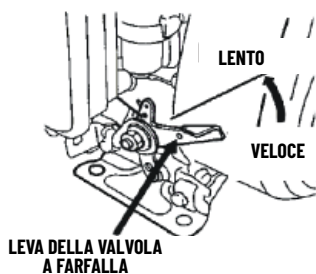
6. Se la leva della valvola dell'aria è stata portata in posizione CHIUSA per avviare il motore, spostarla gradualmente in posizione APERTA man mano che il motore si scalda.



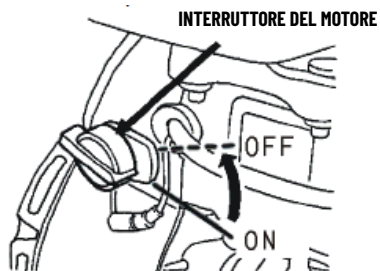
#### ARRESTO DEL MOTORE

Per arrestare il motore in condizioni di emergenza, spostare semplicemente l'interruttore del motore in posizione OFF. In condizioni normali, osservare la procedura seguente.

1. Spostare la leva della valvola a farfalla in posizione LENTO. Alcuni tipi di motore usano un comando della valvola a farfalla montato a distanza, invece della leva montata direttamente sul motore e mostrata di seguito.

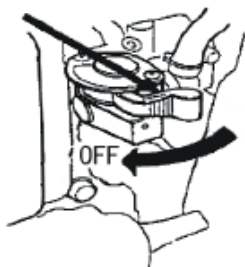


2. Spostare l'interruttore del motore in posizione OFF.



3. Posizionare la leva della valvola del carburante su OFF

**VALVOLA DEL CARBURANTE**

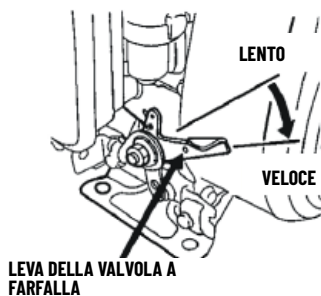


**IMPOSTARE LA VELOCITA' DEL MOTORE**

Posizionare la leva della valvola a farfalla in funzione della velocità del motore desiderata.

Alcuni tipi di motore usano un comando della valvola a farfalla montato a distanza, invece della leva montata direttamente sul motore e mostrata di seguito.

Per consigli relativi alla velocità del motore, consultare le istruzioni fornite con l'apparecchio azionato dal motore.



## CAPITOLO 6

### MANUTENZIONE

---

#### IMPORTANZA DELLA MANUTENZIONE

Una buona manutenzione è essenziale per un funzionamento sicuro, economico e senza problemi. In questo modo si contribuisce anche a ridurre l'inquinamento dell'aria.



#### AVVISO

Una manutenzione impropria del motore, o la mancata correzione di un problema prima dell'avvio, potrebbero causare un malfunzionamento in cui l'operatore potrebbe subire lesioni gravi o mortali. Seguire sempre le raccomandazioni fornite per l'ispezione e la manutenzione ed effettuarle sempre secondo la frequenza riportata nel presente manuale d'uso.

Le pagine seguenti forniscono all'operatore informazioni utili per provvedere alla cura del motore. Esse includono: la frequenza delle operazioni, le procedure di ispezione e le semplici procedure di manutenzione con l'ausilio di comuni utensili. Per gli altri interventi di manutenzione più difficoltosi, o che richiedono utensili particolari, è opportuno rivolgersi a professionisti del settore, di norma tecnici o meccanici qualificati. La frequenza delle operazioni di manutenzione fa riferimento a condizioni di funzionamento normali. Se si usa il motore in condizioni diverse, come eccessivo carico per periodi di tempo prolungati o funzionamento ad alte temperature, o uso in condizioni di umidità o polvere eccessive, consultare il proprio rivenditore autorizzato per la manutenzione per avere consigli specifici in base alle esigenze e agli usi personali.

#### SICUREZZA PER LA MANUTENZIONE

Riportiamo di seguito alcune delle più importanti precauzioni di sicurezza: Tuttavia non è possibile avvisare gli utenti di qualsiasi rischio pensabile che possa emergere durante la manutenzione. Solo l'operatore può decidere se è il caso o meno di effettuare una certa operazione.



#### AVVISO

La mancata osservanza delle istruzioni e delle precauzioni di manutenzione può causare lesioni gravi o mortali all'operatore. Attenersi sempre alle procedure e alle precauzioni riportate nel manuale d'uso.

#### PRECAUZIONI DI SICUREZZA

Assicurarsi che il motore si spento prima di cominciare a eseguire qualsiasi intervento di manutenzione o riparazione. In questo modo si eviteranno numerosi rischi potenziali:

- Avvelenamento da monossido di carbonio dal gas di scarico del motore. Assicurarsi che ci sia adeguata ventilazione quando si usa il motore.
- Ustioni da contatto con parti calde. Far raffreddare il motore e il sistema di scarico prima di toccare i componenti.
- Lesioni da contatto con le parti in movimento. Utilizzare il motore conformemente alle istruzioni di uso.

Leggere le istruzioni prima dell'uso e assicurarsi di avere gli utensili e le capacità necessarie. Per ridurre il rischio di incendio o esplosione, fare estrema attenzione quando si eseguono operazioni che interessano la benzina. Usare solo solventi non infiammabili mai la benzina per pulire i componenti. Tenere lontane sigarette, scintille e fiamme da tutte le parti interessate dal carburante.

Il centro di assistenza dispone di una più approfondita conoscenza del motore e degli strumenti per eseguire la manutenzione e la riparazione. Durante la riparazione e la sostituzione utilizzare esclusivamente componenti nuovi e originali per garantire qualità e affidabilità.

## PROGRAMMA DI MANUTENZIONE

MANUTENZIONE REGOLARE Da effettuarsi nei mesi indicati o dopo un certo numero di ore di funzionamento, la prima indicata.		Ad ogni uso	Il primo mese o dopo 20 ore.	Ogni 3 mesi o 50 ore.	Ogni 6 mesi o 100 ore.	Ogni anno o dopo 300 ore.
voce						
•Olio del motore	Controllare livello	0				
	Cambiare		0		0	
• Filtro dell'aria	Controllare	0				
	Pulire			0 (1)		
	Sostituire					
• Vasca di sedimentazione	Pulire				0	
• Candela	Controllare-pulire				0	
	Sostituire					0*
• Parascintille (parte opzionale)	Pulire				0	
• Velocità a vuoto	Controllare-regolare					0 (2)
• Gioco valvole	Controllare-regolare					0 (2)
• Serbatoio e filtro del carburante	Pulire					0 (2)
• Camera di combustione	Pulire			Ogni 300 ore (2)		
• Tubo del carburante	Controllare		Ogni 2 anni (sostituire se necessario)	(2)		

• Voce collegate alle emissioni

\* Sostituire solo il componente di carta.

(1) Aumentare la frequenza della manutenzione quando si usa il motore in aree con presenza di polvere

(2) Questi componenti devono essere sottoposti a manutenzione presso un centro assistenza autorizzato, salvo se il proprietario sia in possesso degli strumenti adatti e abbia competenze in ambito meccanico. Refer to manual for service procedures.

## RIFORMIMENTO

Capacità del serbatoio del carburante:

.47 US qt (1,4L)

Con il motore spento, togliere il tappo del serbatoio del carburante e controllare il livello del carburante. Rabboccare il serbatoio se il livello è basso.



## AVVISO

La benzina è estremamente infiammabile ed esplosiva. Si possono riportare ustioni o serie lesioni toccando il carburante.

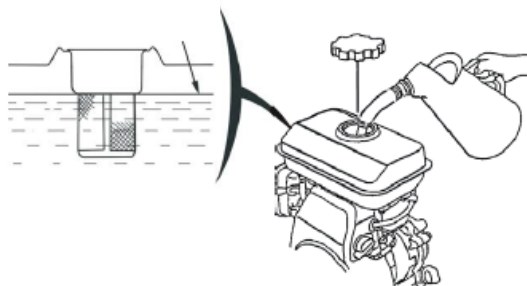
Arrestare il motore e tenere lontane fonti di calore, fiamme o scintille.

Utilizzare il carburante solo all'aperto.

Asciugare immediatamente eventuali fuoriuscite.



## LIVELLO MASSIMO DI CARBURANTE



Eseguire le operazioni di rifornimento in un'area ben ventilata prima di avviare il motore. Se il motore è stato in funzione, lasciarlo raffreddare. Effettuare il rifornimento con cura, per evitare fuoriuscite di carburante. Non riempire oltre il margine del filtro. Dopo il rifornimento, chiudere saldamente il tappo del serbatoio. Non eseguire mai il rifornimento all'interno di un edificio dove i fumi della benzina possono entrare in contatto con fiamme o scintille. Tenere la benzina lontano da strumenti come spie luminose, barbecue, elettrodomestici, utensili a energia elettrica, ecc.

Le fuoriuscite di carburante rappresentano non solo rischi d'incendio ma possono provocare anche danni ambientali. Asciugare immediatamente eventuali fuoriuscite.

### NOTA

Il carburante può danneggiare la vernice e la plastica. Fare attenzione alle fuoriuscite di carburante quando si effettua il rifornimento del serbatoio. I danni causati dal carburante fuoriuscito non sono coperti dalla garanzia.

## CONSIGLI PER L'USO DEL CARBURANTE

### Usare benzina senza piombo con un numero di ottano pari a 86 o superiore.

Questi motori sono certificati per funzionare con benzina senza piombo. La benzina senza piombo produce meno depositi sul motore e le candele prolungando la durata del sistema di scarico.

Non usare mai benzina vecchia o contaminata o una miscela di olio combustibile e benzina. Evitare di far entrare nel serbatoio sporco o acqua.

Occasionalmente può capitare di sentire un leggero "schiocco" o "tintinnio" durante l'uso del motore con carichi pesanti, ma non è il caso di preoccuparsi.

Se questi rumori si verificano a una velocità costante del motore, con carico normale, cambiare marca di benzina. Se persistono, rivolgersi a un centro assistenza autorizzato.

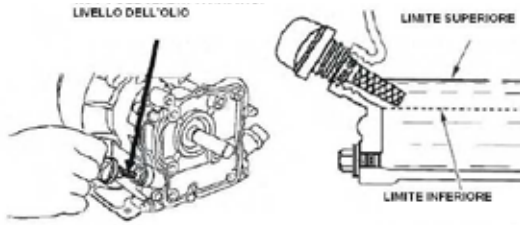
### NOTA

Il funzionamento del motore con questi rumori persistenti potrebbe danneggiarlo. Far funzionare il motore in presenza di questi rumori persistenti è considerato uso improprio, di conseguenza la Garanzia Limitata del Distributore non copre eventuali componenti danneggiati per questo tipo di utilizzo.

## CONTROLLO DEL LIVELLO DELL'OLIO DEL MOTORE

Controllare il livello dell'olio del motore con il motore spento e collocato su una superficie piana.

1. Togliere il tappo del serbatoio/l'asta di livello e pulirla.



2. Inserire e togliere l'asta di livello senza avvitare al collo del serbatoio. Controllare il livello dell'olio indicato sull'asta.
3. Se il livello dell'olio è basso, riempire fino al margine con l'olio consigliato.
4. Avvitare saldamente il tappo del serbatoio/l'asta di livello

#### NOTA

Il funzionamento del motore con un livello di olio basso potrebbe danneggiarlo.

Il sistema di allarme olio (sui tipi di motori dove è applicabile) ferma automaticamente il motore prima che il livello dell'olio scenda sotto i limiti di sicurezza. Tuttavia per evitare l'inconveniente di un arresto improvviso, controllare sempre il livello dell'olio prima di avviare il motore.

#### CAMBIO DELL'OLIO DELO MOTORE

Rimuovere l'olio utilizzato mentre il motore è caldo. L'olio caldo defluisce rapidamente e completamente.

1. Collocare un contenitore adatto sotto al motore dove raccogliere l'olio usato, quindi togliere il tappo del serbatoio/l'asta di livello e il tappo di scarico.
2. Far defluire l'olio usato completamente, quindi reinstallare il tappo di scarico e chiuderlo con forza. Smaltire l'olio usato del motore compatibilmente con l'ambiente. Raccomandiamo di riporre l'olio in un contenitore sigillato e di portarlo al centro di riciclaggio o alla stazione di servizio locale per il recupero. Non gettare nella spazzatura, a terra o nelle fognature.
3. Con il motore collocato su una superficie piana, riempire il serbatoio con l'olio consigliato fino al bordo esterno del foro del serbatoio.

Capacità olio del motore:

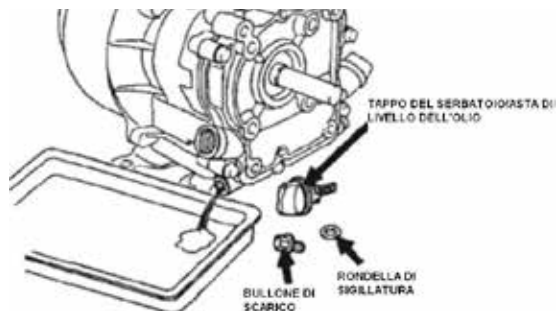
0,48 US qt (0,45 L)

Il funzionamento del motore con un livello di olio basso potrebbe danneggiarlo.

Il sistema di allarme olio (sui tipi di motori dove è applicabile) ferma automaticamente il motore prima che il livello dell'olio scenda sotto i limiti di sicurezza.

Tuttavia per evitare l'inconveniente di un arresto improvviso, riempire il serbatoio fino al limite superiore e controllare regolarmente il livello dell'olio.

4. Avvitare saldamente il tappo del serbatoio/l'asta di livello



## MANUTENZIONE DEL MOTORE

### CONSIGLI PER L'OLIO DEL MOTORE

L'olio è il principale fattore che influisce sulle prestazioni e la durata del motore. Utilizzare un olio detergente automobilistico per motore a 4 tempi.

Per un uso generale si consiglia SAE 10W-30. Le altre viscosità mostrate nello schema seguente possono essere usate quando la temperatura media dell'area di lavoro rientra nel range consigliato.

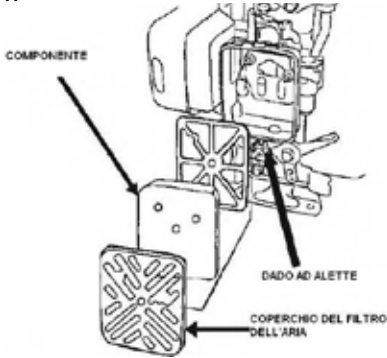


La viscosità e la classificazione dell'olio SAE sono riportate nell'etichetta API apposta sul contenitore dell'olio. Consigliamo di usare l'olio API SERVICE Categoria SE o SF.

### CONTROLLO DEL FILTRO DELL'ARIA

Rimuovere il coperchio del filtro dell'aria e controllare il filtro. Pulire o sostituire i componenti sporchi.

Sostituire sempre i componenti danneggiati. Se il motore è provvisto di un filtro dell'aria con bagno d'olio, controllare il livello dell'olio.



### MANUTENZIONE DEL FILTRO DELL'ARIA

Un filtro sporco limita il flusso dell'aria al carburatore, riducendo le prestazioni del motore.

Se il motore viene usato in aree con molta polvere, pulire il filtro dell'aria più spesso rispetto a quanto riportato nella TABELLA DI MANUTENZIONE.

### NOTA

Se il motore funziona senza filtro dell'aria o con un filtro danneggiato, lo sporco entrerà nel motore causandone un rapido deterioramento. Questo tipo di danno non è coperto dalla Garanzia Limitata del Distributore.

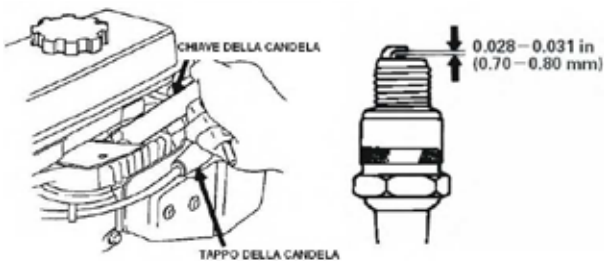
### MANUTENZIONE DELLE CANDELE

Candele consigliate: E5T o equivalenti.

### NOTA

L'uso di una candela non appropriata può causare danni al motore

1. Rimuovere il tappo della candela ed eliminare eventuali tracce di sporco intorno ad essa.
2. Rimuovere la candela con una chiave apposita.



3. Controllare la candela. Sostituirla se gli elettrodi sono consumati, o se l'isolatore è incrinato o scagliato
4. Misurare l'interstizio della candela con uno spessimetro adatto. La distanza dovrebbe essere 0,028 - 0,031 pollici (0,70 - 0,80 mm). Correggere se necessario piegando con attenzione l'elettrodo laterale.
5. Installare la candela a mano, con attenzione, per evitare incroci.
6. Una volta che la candela è alloggiata nella propria sede, serrarla con l'apposita chiave per comprimere la guarnizione. Se si reinserisce una candela usata, dopo averla alloggiata nella sede serrare con un giro di 1/8 - 1/4. Se si installa una nuova candela, dopo averla alloggiata nella sede serrare con 1/2 giro.

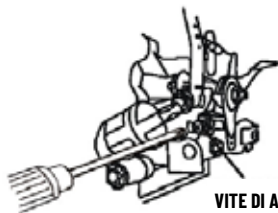
**NOTA**

Una candela allentata può diventare surriscaldarsi e danneggiare il motore.  
Un eccessivo serraggio della candela può danneggiare le filettature della testa del cilindro.

7. Inserire il tappo della candela.

**REGOLAZIONE DELLA VELOCITA' A VUOTO**

1. Avviare il motore all'aperto e farlo scaldare fino a raggiungere la temperatura di funzionamento.
  2. Spostare la leva della valvola a farfalla nella posizione più lenta.
  3. Girare la vite di arresto della valvola a farfalla per ottenere la velocità a vuoto standard.
- Velocità a vuoto standard:  $2,200 \pm 150$  rpm



**VITE DI ARRESTO DELLA FARFALLA**

## CAPITOLO 7

### STOCCAGGIO/TRASPORTO

---

**STOCCAGGIO DEL MOTORE****PREPARAZIONE**

E' essenziale effettuare un'adeguata preparazione prima di riporre il motore per evitare problemi e mantenerlo integro. Osservando le istruzioni riportate di seguito si eviterà che il motore si arrugginisca o si corroda rimanendo integro nelle funzioni e nell'aspetto. In tal modo sarà inoltre più facile riavviare il motore dopo averlo riposto.

**PULIZIA**

Se il motore è stato in funzione, farlo raffreddare per almeno mezz'ora prima di effettuare la pulizia. Pulire tutte le superfici esterne, ritoccare eventuali parti di vernice danneggiata e rivestire le altre zone che possono essere soggette a ruggine con un sottile strato di olio.

**NOTA**

L'utilizzo di un tubo per l'irrigazione o un impianto di lavaggio a pressione può forzare l'ingresso dell'acqua nel filtro dell'aria o nell'apertura della marmitta. La presenza di acqua nel filtro dell'aria bagnerà il filtro e dal filtro o dalla marmitta può entrare nel cilindro, causando dei danni.

Il contatto dell'acqua con il motore caldo può causare danni. Se il motore è stato in funzione, farlo raffreddare per almeno mezz'ora prima di effettuare il lavaggio.

## CARBURANTE

La benzina si ossida e si deteriora se il motore giace inutilizzato. La benzina vecchia rende più problematico l'avvio del motore e crea depositi gommosi che ostacolano il sistema di carburazione. Se la benzina contenuta nel motore si deteriora durante lo stoccaggio, ci sono più probabilità di dover far effettuare interventi di manutenzione o sostituzione del carburatore e di altri componenti del sistema di carburazione. Il periodo di tempo durante il quale si può lasciare la benzina nel serbatoio e nel carburatore senza causare problemi di funzionalità, varia a seconda di fattori come la miscela della benzina, la temperatura del magazzino e il fatto che il serbatoio sia parzialmente o completamente pieno. La presenza dell'aria in un serbatoio parzialmente pieno facilita il deterioramento del carburante. Le temperature molto alte accelerano il processo di alterazione del carburante. I problemi di deterioramento del carburante possono verificarsi entro pochi mesi o anche meno se la benzina dell'ultimo rifornimento non era fresca. La Garanzia Limitata del Distributore non copre danni al sistema di carburazione o i problemi di prestazioni del motore derivanti da un'impropria preparazione per lo stoccaggio. E' possibile prolungare la durata del carburante durante il periodo di stoccaggio aggiungendo uno stabilizzante appositamente formulato, oppure si può evitare qualsiasi problema svuotando il serbatoio del carburante e il carburatore.

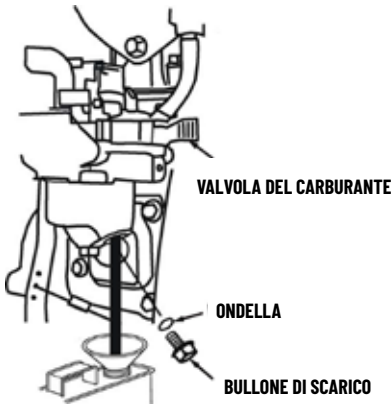
### AGGIUNTA DI UNO STABILIZZATORE PER AUMENTARE LA DURATA DEL CARBURANTE DURANTE LO STOCCAGGIO

Quando si aggiunge uno stabilizzatore è necessario riempire il serbatoio del carburante con benzina fresca. Se il serbatoio è riempito solo parzialmente, l'aria favorirà il deterioramento del carburante. Se si tiene un contenitore di benzina per il rifornimento, assicurarsi che contenga solo benzina fresca.

1. Aggiungere lo stabilizzatore del carburante seguendo le istruzioni del produttore.
2. Dopo aver aggiunto lo stabilizzatore, accendere il motore all'aperto per 10 minuti e assicurarsi che la benzina trattata con lo stabilizzatore si sia sostituita a quella non trattata nel carburatore.
3. Arrestare il motore e posizionare la valvola del carburante in posizione OFF.

### SVUOTAMENTO DEL SERBATOIO DEL CARBURANTE E DEL CARBURATORE

1. Collocare un contenitore apposito per la benzina sotto al carburatore, e utilizzare un imbuto per evitare fuoriuscite di carburante.
2. Rimuovere il bullone di scolo del carburatore e la vasca di sedimentazione, poi spostare la leva della valvola del carburante in posizione ON



3. Dopo che tutto il carburante è stato fatto defluire in un contenitore, reinstallare il bullone di scarico e la vasca di sedimentazione. Serrarli con forza.

### **PRECAUZIONI PER LO STOCCAGGIO**

1. Cambiare l'olio del motore
2. Rimuovere le candele.
3. Versare un cucchiaino (5-10 cc) di olio per motore pulito nel cilindro.
4. Tirare la corda del motorino di avviamento diverse volte per distribuire l'olio nel cilindro.
5. Reinstallare le candele.
6. Tirare la corda del motorino di avviamento gentilmente finché non si incontra resistenza. In questo modo si chiudono le valvole e l'umidità non può entrare nel cilindro del motore. Far riavvolgere la corda del motorino di avviamento delicatamente. Se il motore viene riposto con la benzina nel serbatoio e nel carburatore, è importante ridurre il rischio di combustione dei vapori della benzina. Scegliere un luogo ben ventilato, lontano da qualsiasi apparecchiatura che funzioni con l'ausilio di fiamme, come fornaci, scaldabagno o asciugatrici. Evitare anche luoghi dove sono presenti motori elettrici che producono scintille, o dove sono in funzione utensili elettrici. Se possibile, evitare zone con elevata umidità, perché favorisce la ruggine e la corrosione. A meno che il carburante sia stato eliminato dal serbatoio, lasciare la leva della valvola del carburante in posizione OFF per ridurre la possibilità di fuoriuscite di carburante. Collocare la pompa su una superficie piana. Le pendenze possono far fuoriuscire l'olio o la benzina. Con il motore e il sistema di scarico freddi, coprire la pompa per proteggerla dalla polvere. Alcuni materiali possono prendere fuoco o fondersi se il motore e il sistema di scarico sono caldi. Non usare fogli di plastica per coprire il motore. Una copertura non traspirante raccoglierà umidità facilitando la comparsa di ruggine e corrosione. Se è presente una batteria per avvio elettrico, ricaricarla una volta al mese durante il periodo di stoccaggio. In questo modo la batteria durerà più a lungo.

### **RIAVVIO DOPO LO STOCCAGGIO**

Controllare il motore come descritto nel capitolo CONTROLLO PREOPERATIVO del presente manuale. Se il carburante è stato tolto durante la preparazione allo stoccaggio, riempire il serbatoio con benzina fresca. Se si tiene un contenitore di benzina per il rifornimento, assicurarsi che contenga solo benzina fresca. La benzina si ossida e si deteriora nel tempo, rendendo più difficile l'avvio del motore. Se il cilindro è stato ricoperto di olio durante la fase preparatoria, il motore potrebbe emettere del fumo per qualche minuto al momento dell'avvio. Ma è del tutto normale.

### **TRASPORTO**

Se il motore è stato in funzione, farlo raffreddare per almeno 15 minuti prima di caricare la pompa sul veicolo di trasporto. Il motore e il sistema di scarico caldi possono generare ustioni e bruciare materiali. Mantenere il motore in piano durante il trasporto per ridurre la possibilità di fuoriuscite di carburante. Spostare la leva della valvola del carburante in posizione OFF.

## CAPITOLO 8

### RISOLUZIONE GUASTI

IL MOTORE NON PARTE	CAUSA POSSIBILE	SOLUZIONE
Avvio elettrico: controllare la batteria	Batteria scarica.	Ricaricare la batteria.
Controllare la posizione dei comandi.	Valvola del carburante OFF.	Spostare la leva della valvola su ON.
	Valvola dell'aria APERTA.	Spostare la leva dell'aria in posizione CLOSE (chiuso), tranne se il motore è caldo.
	Interruttore del motore OFF.	Spostare l'interruttore del motore su ON.
Controllare il carburante.	Mancanza di carburante.	Rifornire
	Carburante danneggiato: il motore è stato riposto senza trattare o eliminare la benzina, oppure è stato rifornito con benzina danneggiata.	Svuotare il serbatoio del carburante e il carburatore Rifornire con benzina fresca.
Rimuovere e controllare le candele.	Candele difettose, sporche o con interstizi non corretti.	Correggere o sostituire le candele.
	Candele bagnate di carburante (il motore ha traboccato).	Asciugare e reinstallare le candele. Avviare il motore con la leva della valvola a farfalla in posizione FAST (veloce).
Portare il motore presso un centro assistenza autorizzato o consultare il manuale.	Filtro del carburante ostruito, malfunzionamento del carburatore, malfunzionamento dell'accensione, valvole bloccate, ecc.	Sostituire o riparare i componenti difettosi, in base alla necessità.

IL MOTORE NON HA POTENZA	CAUSA POSSIBILE	SOLUZIONE
Controllare il filtro dell'aria.	Filtro dell'aria ostruito.	Pulire o sostituire il filtro.
Controllare il carburante.	Mancanza di carburante.	Rifornire
	Carburante danneggiato: il motore è stato riposto senza trattare o eliminare la benzina, oppure è stato rifornito con benzina danneggiata.	Svuotare il serbatoio del carburante e il carburatore Rifornire con benzina fresca.
Portare il motore presso un centro assistenza autorizzato o consultare il manuale.	Filtro del carburante ostruito, malfunzionamento del carburatore, malfunzionamento dell'accensione, valvole bloccate, ecc.	Sostituire o riparare i componenti difettosi, in base alla necessità.

## CAPITOLO 9

### INFORMAZIONI TECNICHE E PER IL CONSUMATORE

#### INFORMAZIONI TECNICHE

Posizione numero seriale



NUMERO DEL SERIALE DEL TIPO DI MOTORE



Riportare il numero seriale del motore nello spazio sottostante. Tale numero è necessario per ordinare parti di ricambio o per rivolgere richieste di natura tecnica o riguardanti la garanzia.

Numero seriale del motore: \_\_\_\_\_

Modifica al carburatore per funzionamento ad alta quota

A quote elevate la miscela standard aria-carburante del carburatore è troppo ricca. Le prestazioni diminuiscono, e il consumo di carburante aumenta. Una miscela molto ricca sporca anche la candela, rendendo più difficoltosa l'accensione. Il funzionamento ad altitudine diversa da quella per cui è stato certificato il motore, dopo un lungo periodo, può aumentare le emissioni.

Le prestazioni ad alta quota possono essere migliorate con apposite modifiche al carburatore. Se si usa il motore sempre a un'altitudine superiore ai 1500 m, tale modifica deve essere effettuata da un centro assistenza autorizzato. Il motore, se fatto funzionare ad alta quota con le modifiche al carburatore per un uso in altitudine, produrrà per tutta la sua durata emissioni conformi a quelle standard.

Anche con una modifica del carburatore, i cavalli vapore del motore diminuiranno del 3,5% circa ogni 300 m di altitudine. L'effetto dell'altitudine sui cavalli sarà maggiore se non viene eseguita nessuna modifica del carburatore.

## NOTA

Se il carburatore è stato modificato per il funzionamento ad altitudini elevate, la miscela di carburante/aria sarà più povera per l'utilizzo a quote basse. Il funzionamento ad altitudini inferiori ai 1500 m con un carburatore modificato può far surriscaldare il motore e generare seri danni. Per usare il carburatore modificato ad altitudini più basse, il centro assistenza deve riportarlo alle specifiche originarie di fabbrica.

## MESSA A PUNTO

VOCE	SPECIFICA
Interstizio candela	0.028-0.031 pollici (0.70-0.80 mm)
Gioco valvole	IN: 0.10 0.02 mm (kalt) EX: 0.15 0.02 mm (kalt)
Otras especificaciones	No hay necesidad de otros ajustes

## INFORMAZIONI PER IL CONSUMATORE

### PUBBLICAZIONI

Le presenti pubblicazioni forniscono ulteriori informazioni per la manutenzione e la riparazione del motore. È possibile ordinarle presso il proprio rivenditore.

### Catalogo dei componenti

Il presente manuale fornisce elenchi dei componenti completi e illustrati.

**INFORMAZIONI PER UNA CONSULTAZIONE VELOCE**

OLIO DEL MOTORE	TIPO	SAE 10W-30,API SJ, PER USO GENERALE
	Capacità	152F: 0.45 L
Candela	TIPO	E5T o equivalenti.
	Capacità	0.028-0.031 pollici (0.70-0.80 mm)
Carburatore	Velocità a vuoto	2200±150 rpm
Manutenzione	Ad ogni uso	Controllare olio motore. Controllare filtro dell'aria.
	Prime 20 ore	Cambiare l'olio del motore
	Successiva	Consultare il programma di manutenzione

**CAPITOLO 10  
SPECIFICHE**

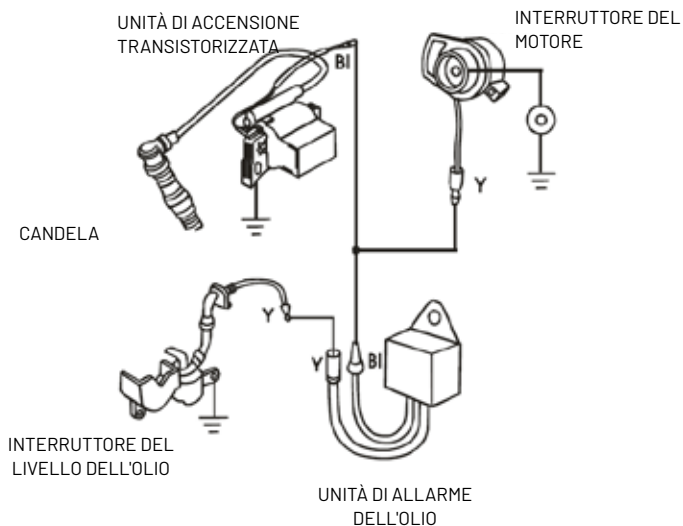
MODELLO	HYDROBLASTER 2.5 HP
Tipo	Cilindro singolo, 4 tempi, raffreddamento forzato ad aria, SV
Potenza Stabilita(kW/3600rpm)	1.2
Coppia Massima(. (Nm/rpm)	4.0 N.m/2500 rpm
Consumo di carburante(g/kWh)	<435
Velocità a vuoto (rpm)	2200 ± 150
Rapporto oscillante della velocità	<10 %
Rumore (< dB(A))	80 dB(A)
Alesaggio x Fase (mm)	52 x 46
Cilindrata(cc)	97cc
Rapporto di compressione	5,6: 1
Modalità di lubrificazione	A schizzo
Modalità di avvio	Motorino di avviamento a corda
Rotazione	Antioraria (dal lato del dispositivo di trasmissione)
Gioco candela (mm)	0.7-0.8mm
Modalità di accensione	Accensione con magneti transistorizzati
Filtro dell'aria	Semiseco

VOCE	TIPO	HYDROBLASTER 2.5 HP
Pompa	Lunghezza (mm)	340
	Ampiezza (mm)	290
	Altezza (mm)	370
	Peso (Kg)	13
	Diametro del foro di aspirazione	1.5 pollici (40 mm)
	Diametro del foro di scarico	1.5 pollici (40 mm)
	Aspirazione Max (m)	6
	Prevalenza Max (m)	18
	Capacità max (m <sup>3</sup> /hr)	12

## CAPITOLO 11

### TIPO DI MOTORE CON SISTEMA DI ALLARME DELL'OLIO E AVVIO ELETTRICO

BI	NERO
Y	GIALLO





# СОДЕРЖАНИЕ

РАЗДЕЛ	ОПИСАНИЕ	СТРАНИЦА
1	ИНФОРМАЦИЯ	123
2	КОМПОНЕНТЫ	125
3	КОМАНДНЫЕ УСТРОЙСТВА	126
4	ПРОВЕРКА ПЕРЕД ЭКСПЛУАТАЦИЕЙ	128
5	ЭКСПЛУАТАЦИЯ	129
6	ТЕХНИЧЕСКОЕ ОБСЛУЖИВАНИЕ	133
7	ХРАНЕНИЕ/ТРАНСПОРТИРОВКА	139
8	УСТРАНЕНИЕ НЕИСПРАВНОСТЕЙ	142
9	ТЕХНИЧЕСКАЯ ИНФОРМАЦИЯ И ИНФОРМАЦИЯ ДЛЯ ПОТРЕБИТЕЛЯ	142
10	ТЕХНИЧЕСКИЕ ХАРАКТЕРИСТИКИ	144
11	ТИП ДВИГАТЕЛЯ С УСТРОЙСТВОМ ОПОВЕЩЕНИЯ ОБ УРОВНЕ МАСЛА И БЕЗ ЭЛЕКТРИЧЕСКОГО СТАРТЕРА	145

## РАЗДЕЛ 1 ИНФОРМАЦИЯ

Поздравляем вас с покупкой водяного насоса. Информация и технические характеристики, содержащиеся в данной инструкции, являются действительными на момент выхода документа в печать. Запрещается воспроизведение любой части данного документа без предварительного письменного разрешения. Данная инструкция представляет собой неотъемлемую часть насоса и должна прилагаться к нему в случае перепродажи. Иллюстрации, приведенные в данной инструкции, относятся к HYDROBLASTER 2.5HP. Они могут меняться в зависимости от типа насоса. Храните эту инструкцию по эксплуатации под рукой, чтобы иметь возможность обратиться к ней в любое время. Данная инструкция по эксплуатации представляет собой неотъемлемую часть насоса и должна прилагаться к нему в случае перепродажи.

При возникновении проблем или вопросов, касающихся насоса, вы можете обратиться к вашему авторизованному дилеру. Ваша безопасность и безопасность других людей имеет огромное значение. Очень важно использовать этот водяной насос с соблюдением всех правил безопасности. Чтобы помочь вам в соблюдении правил безопасности при эксплуатации, в этой инструкции и на этикетках приведены правила эксплуатации и другие сведения. Данная информация включает в себя предупреждения о возможных опасностях, которые могут явиться причиной травм как для вас, так и для других лиц. Естественно, что перечисление абсолютно всех опасностей, связанных с эксплуатацией и техническим обслуживанием водяного насоса, не представляется практически осуществимым или возможным. Поэтому в любой ситуации Вы должны руководствоваться здравым смыслом. Информация о безопасном использовании насоса представлена в различных формах, которые включают в себя: предупреждающие этикетки на насосе; предупредительные надписи, перед которыми стоит предупреждающий символ и одно из трех сигнальных слов: «ОПАСНО!», «ВНИМАНИЕ!» или «ОСТОРОЖНО!». Данные сигнальные слова означают соответственно: Вы **ПОГИБНЕТЕ** или **ПОЛУЧИТЕ СЕРЬЕЗНУЮ ТРАВМУ**, если не будете следовать инструкциям. Вы **МОЖЕТЕ ПОГИБНУТЬ** или **ПОЛУЧИТЬ СЕРЬЕЗНУЮ ТРАВМУ**, если не будете следовать инструкциям. Вы **МОЖЕТЕ ПОЛУЧИТЬ ТРАВМУ**, если не будете следовать инструкциям. Ваш насос или другие принадлежащие вам вещи могут быть повреждены, если вы не будете следовать инструкциям. Предупреждающие заголовки, такие как «**ВАЖНАЯ ИНФОРМАЦИЯ О БЕЗОПАСНОСТИ**». Раздел о правилах безопасности, такой как «**БЕЗОПАСНОЕ ИСПОЛЬЗОВАНИЕ НАСОСА**». Инструкции для правильной и безопасной эксплуатации насоса В этой инструкции содержится очень много важной информации о безопасности, просим вас очень внимательно ее прочитать.

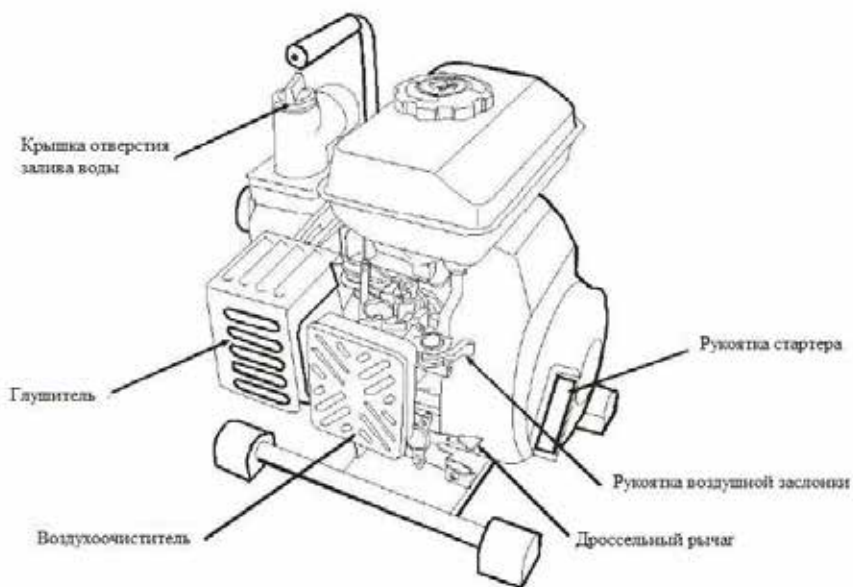
## **ВАЖНАЯ ИНФОРМАЦИЯ О БЕЗОПАСНОСТИ**

Насосы предназначены только для качания воды, которая не предназначена для употребления ее человеком. Использование насоса в любых других целях может привести к травме оператора или повредить насос и другое имущество. Всегда проверяйте насос перед тем, как включить двигатель. Это позволит вам избежать несчастного случая или повреждения оборудования. Большую часть несчастных случаев можно предотвратить, если следовать правилам, приведенным в этой инструкции и на насосе. Ниже описаны наиболее распространенные опасности, а также указаны способы их предотвращения.

### **Ответственность оператора**

На операторе лежит ответственность за принятие необходимых мер безопасности с целью защиты людей и имущества. Вы должны знать, как быстро остановить насос в чрезвычайной ситуации. Если вы по какой-либо причине покидаете рабочее место, всегда выключайте двигатель насоса. Вы должны знать, как использовать все команды и соединения. Удостоверьтесь в том, что все те, кто пользуются насосом, получили соответствующие инструкции. Не позволяйте детям пользоваться насосом. Не позволяйте детям и домашним животным находиться на территории, на которой работает насос. Эксплуатация насоса Качайте только ту воду, которая не предназначена для употребления ее человеком. Качание воспламеняющихся жидкостей, таких как бензин или горючие масла, может привести к пожару или взрыву и, следовательно, к серьезным травмам. Качание морской воды, напитков, кислот, химических растворов и прочих жидкостей, приводящих к коррозии, может повредить насос. Предосторожности при заправке топливом Бензин очень легко воспламеняется, а его пары могут взорваться. Заправляйте насос на открытом воздухе, в хорошо вентилируемом месте. Двигатель насоса должен быть при этом остановлен, а насос располагаться на ровной поверхности. Не заправляйте бак выше кромки фильтра. Никогда не курите рядом с бензином и держитесь вдали от пламени или искр. Всегда храните бензин в предназначенной для этого емкости. Перед запуском двигателя убедитесь в том, что пролитое топливо было тщательно вытерто. После заправки убедитесь в том, что пробка бака была правильно и надежно закрыта. Выход горячего воздуха Во время эксплуатации глушитель очень сильно нагревается и после остановки двигателя очень медленно остывает. Старайтесь не прикасаться к глушителю, пока он горячий. Перед транспортировкой насоса или хранением его в помещении необходимо дать двигателю остыть. Для того, чтобы предотвратить риск пожара, во время работы держите насос на расстоянии не менее 1 метра от стен здания или другого оборудования. Избегайте размещения легковоспламеняющихся предметов рядом с двигателем. Опасность выхлопов угарного газа, содержащего монооксид углерода. Избегайте вдыхания выхлопного газа. Запрещается эксплуатация двигателя в закрытом гараже или помещении.

## РАЗДЕЛ 2 КОМПОНЕНТЫ

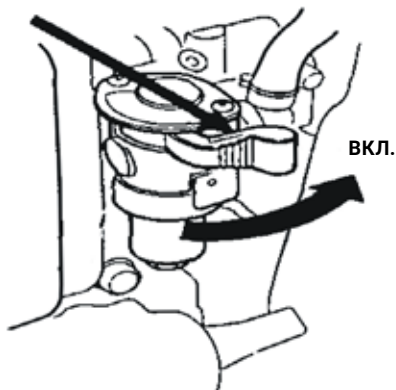


## РАЗДЕЛ 3 КОМАНДНЫЕ УСТРОЙСТВА

### Рычаг топливного клапана

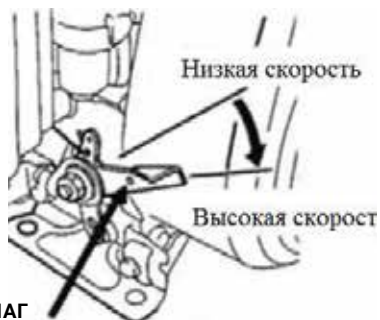
Топливный клапан открывает и закрывает проход между топливным баком и карбюратором. Для того чтобы двигатель работал, рычаг топливного клапана должен находиться в положении «ВКЛ.». Когда двигатель не используется, оставьте рычаг топливного клапана в положении «ВЫКЛ.», чтобы предотвратить затопление карбюратора и снизить вероятность утечки топлива.

#### ТОПЛИВНЫЙ КЛАПАН



### Дроссельный рычаг

При помощи дроссельного рычага регулируется скорость двигателя. Перемещая рычаг в различных направлениях, показанных на рисунке, вы можете заставить двигатель работать быстрее или медленнее.

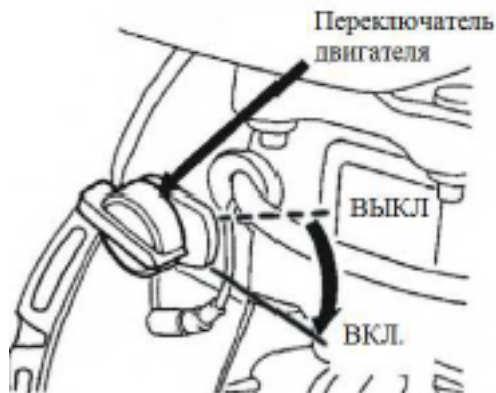


#### ДРОССЕЛЬНЫЙ РЫЧАГ

### Переключатель двигателя

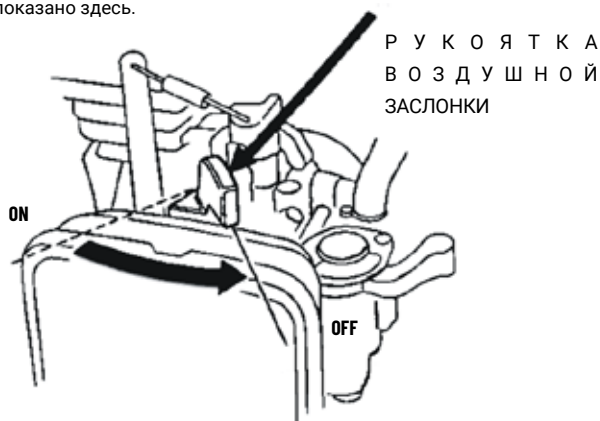
Переключатель двигателя включает и отключает систему зажигания. Для работы двигателя переключатель двигателя должен находиться в положении «ВКЛ.». Для остановки двигателя переместите переключатель в положение «ВЫКЛ.».





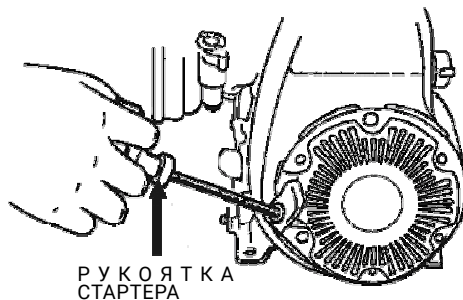
### Рукоятка воздушной заслонки

Рукоятка воздушной заслонки открывает и закрывает воздушную заслонку в карбюраторе. В положении «ЗАКРЫТО» происходит обогащение топливной смеси для запуска холодного двигателя. Положение «ОТКРЫТО» обеспечивает правильное смешивание топлива для работы после запуска и для повторного запуска теплого двигателя. В некоторых случаях применения двигателя используется дистанционное управление воздушной заслонкой, а не установленная на двигателе рукоятка воздушной заслонки, как показано здесь.



### Рукоятка шнурового стартера

Потянув рукоятку стартера, вы можете заставить работать шнуровой стартер запуска двигателя



## РАЗДЕЛ 4

### ПРОВЕРКА ПЕРЕД ЭКСПЛУАТАЦИЕЙ

---

#### ГОТОВНОСТЬ ДВИГАТЕЛЯ К РАБОТЕ

Для вашей безопасности и обеспечения максимального срока эксплуатации вашего оборудования, перед работой необходимо уделить несколько минут проверке двигателя. Перед запуском двигателя устранили все неисправности или обратитесь в сервисный центр для их устранения.



#### **ПРЕДУПРЕЖДЕНИЕ**

Неправильное техническое обслуживание двигателя или неустранение неисправности перед работой может привести к сбою в работе, во время которого вы можете получить серьезную травму. Перед каждым использованием двигателя выполняйте предварительную проверку и устраняйте любую неисправность.

Перед выполнением предварительной проверки удостоверьтесь, что двигатель стоит ровно и переключатель двигателя находится в положении «ВЫКЛ.».

#### **Проверка общего состояния двигателя**

Посмотрите вокруг и под двигателем на предмет наличия признаков протечки масла или бензина. Удалите лишнюю грязь или мусор, особенно вокруг глушителя и шнурового стартера. Осмотрите двигатель на предмет повреждений. Убедитесь в том, что все экраны и кожухи находятся на месте, а все гайки, болты и винты затянуты.

#### **Проверьте двигатель**

Проверьте уровень двигательного масла. Эксплуатация двигателя с низким уровнем масла может привести к его повреждению. Система оповещения об уровне масла (на соответствующих типах двигателя) автоматически останавливает двигатель прежде, чем уровень масла падает ниже критической отметки. Однако для того, чтобы избежать проблем или внезапной остановки двигателя, всегда проверяйте уровень масла в двигателе перед запуском. Проверьте воздушный фильтр. Грязный воздушный фильтр может воспрепятствовать потоку воздуха, идущему в карбюратор, и привести к снижению КПД двигателя. Проверьте уровень топлива. Запуск двигателя с полным баком позволяет устранить или сократить перерывы в работе для дозаправки.

#### **Проверка оборудования, работающего от этого двигателя**

Еще раз прочитайте инструкции, прилагаемые к оборудованию, работающему от этого двигателя, для ознакомления с мерами предосторожности и действиями, которые необходимо выполнить перед запуском двигателя.

## РАЗДЕЛ 5 ЭКСПЛУАТАЦИЯ

### МЕРЫ ПРЕДОСТОРОЖНОСТИ ДЛЯ БЕЗОПАСНОЙ ЭКСПЛУАТАЦИИ

Перед эксплуатацией двигателя в первый раз, просим вас ознакомиться с «ВАЖНОЙ ИНФОРМАЦИЕЙ О БЕЗОПАСНОСТИ» и главой под названием «ПЕРЕД ЭКСПЛУАТАЦИЕЙ».



#### ПРЕДУПРЕЖДЕНИЕ

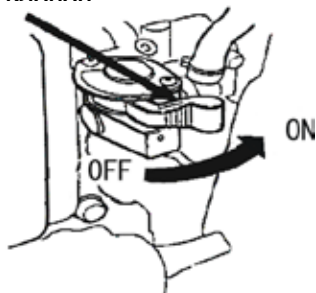
Угарный газ токсичен. Вдыхание этого газа может привести к потере сознания и даже смерти. Избегайте находиться в тех местах и выполнять те действия, которые могут привести к вдыханию угарного газа.

Ознакомьтесь с инструкциями, прилагаемыми к оборудованию, работающему от этого двигателя, чтобы узнать о мерах предосторожности, которые необходимо соблюдать при запуске, остановке или работе двигателя.

### ЗАПУСК ДВИГАТЕЛЯ

1. Установите рычаг топливного клапана в положение «ВКЛ.».

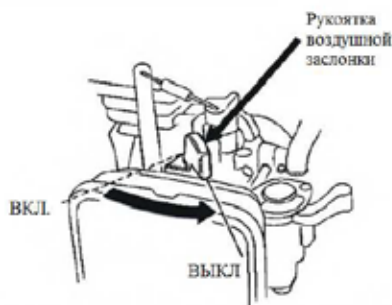
#### ТОПЛИВНЫЙ КЛАПАН



2. Для запуска холодного двигателя установите рукоятку воздушной заслонки в положение «ЗАКРЫТО».

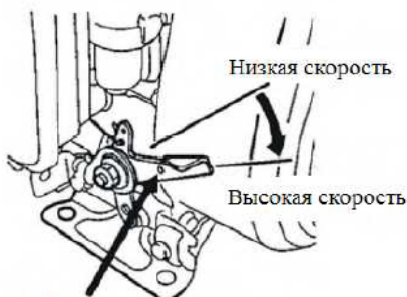
Для повторного запуска теплого двигателя оставьте рукоятку воздушной заслонки в положении «ОТКРЫТО».

В некоторых случаях применения двигателя используется дистанционное управление рукояткой воздушной заслонки, а не установленная на двигателе рукоятка воздушной заслонки, как показано здесь.



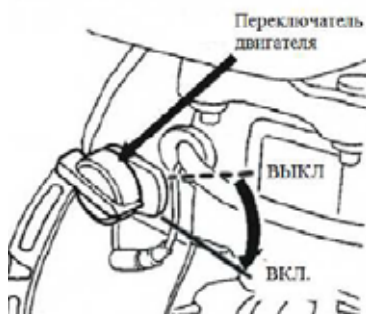
3. Переместите дроссельный рычаг от положения «МЕДЛЕННО» на 1/3 по направлению к положению «БЫСТРО».

В некоторых случаях применения двигателя используется дистанционное управление дроссельным клапаном, а не установленный на двигателе дроссельный рычаг, как показано здесь.



Дроссельный рычаг

4. Установите переключатель двигателя в положение «ВКЛ.».

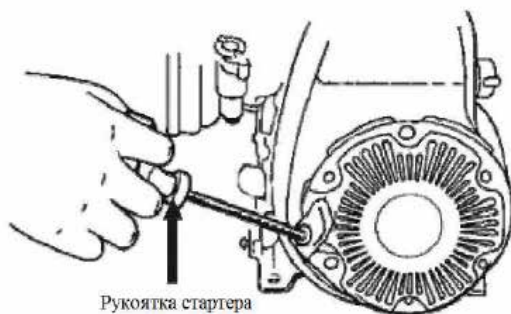


5. Работа стартера.

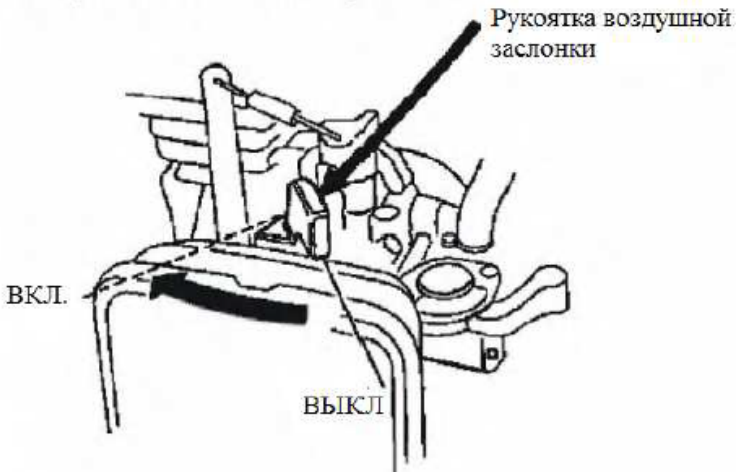
ШНУРОВОЙ СТАРТЕР (все типы двигателя).

Легко потяните за рукоятку стартера до тех пор, пока не почувствуете сопротивление, а затем резко потяните.

Осторожно верните рукоятку стартера в исходное положение



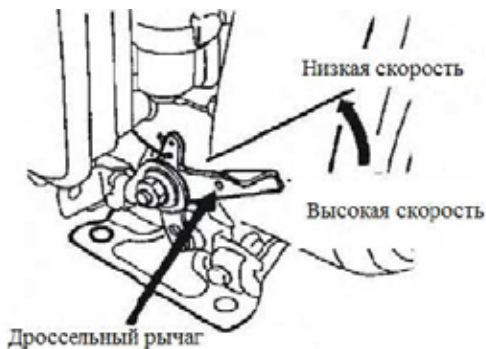
6. Если рукоятка воздушной заслонки была повернута в положение «ЗАКРЫТО» для запуска двигателя, постепенно переместите ее в положение «ОТКРЫТО», пока двигатель разогревается.



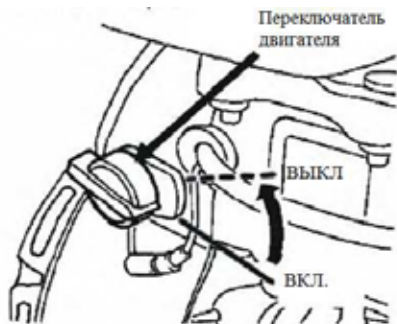
#### ОСТАНОВКА ДВИГАТЕЛЯ

Для аварийной остановки двигателя установите выключатель двигателя в положение «ВЫКЛ.». В нормальных условиях используйте следующую процедуру.

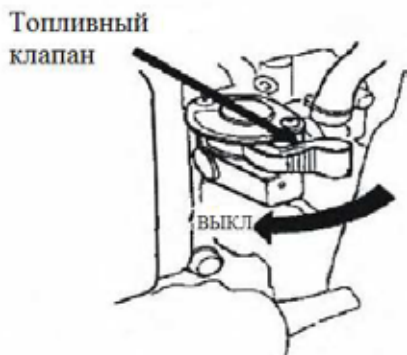
1. Поверните дроссельный рычаг в положение «МЕДЛЕННО». В некоторых случаях применения двигателя используется дистанционное управление дроссельным клапаном, а не установленный на двигателе дроссельный рычаг, как показано здесь.



2. Установите переключатель двигателя в положение «ВЫКЛ.».



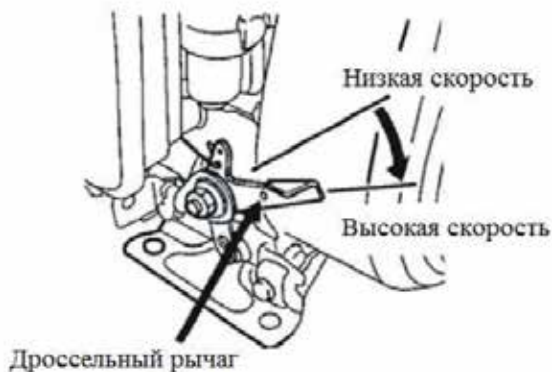
3. Установите рычаг топливного клапана в положение «ВЫКЛ.».



### УСТАНОВКА СКОРОСТИ ДВИГАТЕЛЯ

Поверните дроссельный клапан в соответствии с желаемой скоростью двигателя. В некоторых случаях применения двигателя используется дистанционное управление дроссельным клапаном, а не установленный на двигателе дроссельный рычаг, как показано здесь.

Рекомендации относительно скорости двигателя можно найти в инструкциях, прилагаемых к оборудованию, работающему от этого двигателя.



## РАЗДЕЛ 6 ТЕХНИЧЕСКОЕ ОБСЛУЖИВАНИЕ

### ВАЖНАЯ РОЛЬ ТЕХНИЧЕСКОГО ОБСЛУЖИВАНИЯ

Качественное техническое обслуживание является обязательным условием для безопасной, экономной и исправной эксплуатации двигателя. Кроме того, оно способствует меньшему загрязнению воздуха.



#### ПРЕДУПРЕЖДЕНИЯ

Неправильное техническое обслуживание этого двигателя или неустранение неисправностей перед работой могут вызвать сбой в работе, который может привести к серьезной травме или смертельному исходу. Всегда следуйте рекомендациям по осмотру и техническому обслуживанию, а также графику работ, приведенному в этой инструкции по эксплуатации.

Для вашего удобства на следующих страницах приведен график технического обслуживания, плановые процедуры проверки и простые операции по техническому обслуживанию двигателя с использованием основных ручных инструментов. Для других операций по обслуживанию, которые являются более сложными или требуют специальных инструментов, лучше обратиться за помощью к профессионалу. Такие операции обычно выполняются специалистом или квалифицированным инженером-механиком. График технического обслуживания составлен для обычных условий эксплуатации. Если эксплуатация двигателя осуществляется в нестандартных условиях, таких как высокая нагрузка или высокая температура в течение продолжительного времени или использование в условиях повышенной влажности или пыльности, обратитесь в ближайший сервисный центр за рекомендациями по использованию двигателя в соответствии с вашими индивидуальными потребностями.

### БЕЗОПАСНОСТЬ ТЕХНИЧЕСКОГО ОБСЛУЖИВАНИЯ

Ниже приведены наиболее важные меры предосторожности. Однако мы не можем предупредить вас обо всех возможных опасностях, связанных с техническим обслуживанием. Только вы сами можете принять решение о выполнении определенных действий.



#### ПРЕДУПРЕЖДЕНИЯ

Неправильное следование инструкциям по техническому обслуживанию и недостаточное соблюдение мер предосторожности могут привести к серьезным травмам или смертельному исходу. Всегда следуйте процедурам и мерам предосторожности, указанным в настоящей инструкции по эксплуатации

#### Меры предосторожности

Прежде чем приступить к выполнению работ по техническому обслуживанию или ремонту, убедитесь в том, что двигатель выключен. Это позволит вам избежать нескольких потенциальных опасностей, среди которых:

- Отравление угарным газом от выхлопов двигателя. Удостоверьтесь, что в месте эксплуатации двигателя предусмотрена достаточная вентиляция.
- Ожоги от раскаленных частей двигателя. Дождитесь полного остывания двигателя и выхлопной системы, прежде чем их касаться.
- Травмы от движущихся частей двигателя. Запрещается эксплуатировать двигатель без предварительного ознакомления с инструкциями.

Перед эксплуатацией двигателя прочитайте инструкции и убедитесь, что у вас имеются все необходимые инструменты и навыки. Соблюдайте максимальную осторожность при работе с бензином с целью снижения риска пожара или взрыва. Для чистки деталей используйте только невоспламеняющийся растворитель, а не бензин. Держите топливные части вдали от сигарет, искр и пламени. Помните, что лучше всего с двигателем знакомы сотрудники вашего сервисного центра, которые располагают всем необходимым оборудованием для технического обслуживания и ремонта двигателя. Во время ремонта оборудования и замены его компонентов следует использовать только новые оригинальные запчасти и их аналоги, что позволит гарантировать максимальное качество и надежность.

## ГРАФИК ТЕХНИЧЕСКОГО ОБСЛУЖИВАНИЯ

РЕГУЛЯРНЫЕ ИНТЕРВАЛЫ ОБСЛУЖИВАНИЯ		При каждом использовании	В первый месяц или через 20 ч	Раз в 3 месяца или в 50 ч	Раз в 6 месяцев или в 100 ч	Каждый год или раз в 300 ч
Выполняется в указанный месяц или через определенное количество рабочих часов, в зависимости от того, что наступит раньше.						
НАИМЕНОВАНИЕ						
• Двигательное масло	Controllare livello	0				
	Cambiare		0		0	
• Воздухоочиститель	Controllare	0				
	Pulire			0 (1)		
	Sostituire					
• Отстойник	Pulire				0	
• Свеча зажигания	Controllare-pulire				0	
	Sostituire					0*
• Parascintille (parte opzionale)	Pulire				0	
• Искрогаситель (дополнительные запчасти)	Controllare-regolare					0 (2)
• Скорость холостого хода	Controllare-regolare					0 (2)
• Топливный бак и фильтр	Pulire					0 (2)
• Камера сгорания	Pulire			Через каждые 300 ч (2)		
• Линия подачи топлива	Controllare		Раз в 2 года (Заменить при необходимости) (2)			

• Детали, связанные с выхлопами.

\* Заменить только бумажный элемент.

(1) Требуется более частое обслуживание при эксплуатации в пыльных местах

(2) Обслуживание данных деталей должно производиться сервисным центром, при условии, что вы не обладаете соответствующими инструментами и механическими навыками. Смотрите инструкцию по техническому обслуживанию.

## ЗАПРАВКА

Объем топливного бака

0,47 американской кварты (1,4 л)

Остановите двигатель, снимите крышку топливного бака и проверьте уровень топлива. При низком уровне топлива заправьте бак.

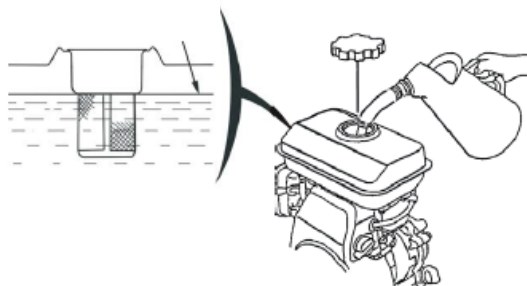


## ПРЕДУПРЕЖДЕНИЯ

Бензин легко воспламеняется и взрывоопасен. При работе с топливом вы можете обжечься или получить серьезную травму. Остановите двигатель и держитесь вдали от горячих предметов, искр и открытого пламени. Все операции с топливом выполняйте только на открытом воздухе. Всегда сразу же вытирайте пролитое топливо.



## Maximum fuel level



Перед запуском двигателя заправляйте его в хорошо вентилируемом месте. Если двигатель работал, дайте ему остыть. Осторожно заправьте двигатель, стараясь не пролить топливо. Не заправляйте выше кромки топливного фильтра. После заправки плотно затяните крышку топливного бака. Никогда не заправляйте двигатель внутри помещения, где пары бензина могут вступить в контакт с пламенем или искрами. Держите бензин вдали от сигнальных лампочек приборов, барбекю, электрических приборов, механизированных инструментов и т.д. Пролитое топливо может не только привести к пожару, но и нанести вред окружающей среде. Незамедлительно вытирайте пролитое топливо.

### ПРИМЕЧАНИЕ

Топливо может повредить краску и пластик. При заправке топливного бака старайтесь не проливать топливо. На ущерб, нанесенный пролитым топливом, гарантия не распространяется.

### РЕКОМЕНДАЦИИ ПО ТОПЛИВУ

#### Используйте неэтилированный бензин с октановым числом 86 и выше.

Данные двигатели сертифицированы для работы на неэтилированном бензине. Неэтилированный бензин производит меньше отложений в двигателе и свече зажигания и продлевает срок эксплуатации выхлопной системы. Никогда не используйте старый или загрязненный бензин или смесь масла с бензином. Избегайте попадания грязи или воды в топливный бак. Иногда вы можете услышать легкую «детонацию» или «дребезжание» (металлический лязгающий звук) во время работы с большой нагрузкой. Это не должно вас беспокоить. Если детонация или дребезжание происходят при постоянной скорости двигателя и нормальной нагрузке, смените марку бензина. Если детонация и дребезжание продолжают, обратитесь в сервисный центр.

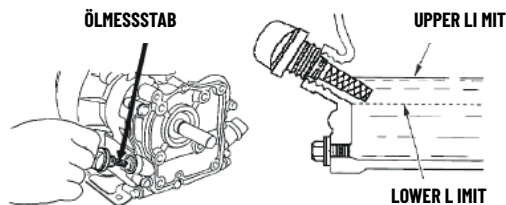
### ПРИМЕЧАНИЕ

Работа двигателя с постоянной детонацией или дребезжанием может повредить двигатель. Работа двигателя с постоянной детонацией или дребезжанием считается нарушением правил эксплуатации, и Ограниченная гарантия дистрибьютора не распространяется на детали, поврежденные вследствие нарушений правил эксплуатации.

### ПРОВЕРКА УРОВНЯ ДВИГАТЕЛЬНОГО МАСЛА

Проверьте уровень двигательного масла при остановленном двигателе на ровной поверхности.

1. Снимите крышку заливной горловины/уровнемер и вытрите его насухо



2. Вставьте, а затем выньте уровнемер, не заворачивая его в шейку заливной горловины. Проверьте уровень масла на уровнемере.
3. Если уровень масла низкий, залейте рекомендуемый тип масла до края отверстия заливной горловины.
4. Плотно закрутите крышку заливной горловины/уровнемер.

### ПРИМЕЧАНИЕ

Эксплуатация двигателя с низким уровнем масла может привести к его повреждению.

Система оповещения об уровне масла (на соответствующих типах двигателя) автоматически останавливает двигатель прежде, чем уровень масла падает ниже критической отметки. Однако для того, чтобы избежать проблем или внезапной остановки двигателя, перед запуском всегда следует проверять уровень масла в двигателе.

### ЗАМЕНА ДВИГАТЕЛЬНОГО МАСЛА

Сливайте отработанное масло, пока двигатель теплый. Теплое масло вытекает быстро и полностью.

1. Поместите подходящую емкость под двигатель для улавливания отработанного масла, а затем снимите крышку заливной горловины/уровнемер и сливную пробку.
2. Дайте отработанному маслу вытечь полностью, а затем снова вставьте сливную пробку и плотно закрутите ее. Утилизируйте отработанное моторное масло в соответствии с правилами охраны окружающей среды. Мы рекомендуем сдавать отработанное масло в запечатанной емкости в местный пункт приема утильсырья или на бензозаправку. Запрещается выбрасывать масло в мусор, выливать на землю или в канализацию.
3. Если уровень масла низкий, залейте рекомендуемый тип масла до края отверстия заливной горловины.

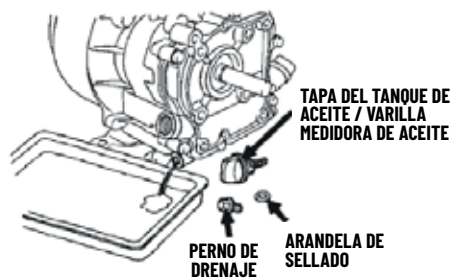
Объем двигательного масла:

0,48 американской кварты (1,45 л) Эксплуатация двигателя с низким уровнем масла может привести к его повреждению.

Система оповещения об уровне масла (на соответствующих типах двигателя) автоматически останавливает двигатель прежде, чем уровень масла падает ниже критической отметки.

Однако для того, чтобы избежать внезапной остановки двигателя, необходимо залить масло до верхней отметки и регулярно проверять его уровень.

4. Плотно закрутите крышку заливной горловины/уровнемер.

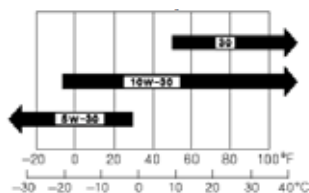


## ОБСЛУЖИВАНИЕ ВАШЕГО ДВИГАТЕЛЯ

### РЕКОМЕНДАЦИИ ПО ДВИГАТЕЛЬНОМУ МАСЛУ

Масло является основным фактором, влияющим на эксплуатационные характеристики и срок службы двигателя. Используйте автомобильное масло с моющими присадками, предназначенное для 4-ходовых двигателей. Для общего использования рекомендуется масло SAE 10W-30. Если средняя температура находится в рекомендуемом диапазоне, можно использовать масла с другими степенями вязкости, указанными в таблице.

#### Степень вязкости SAE

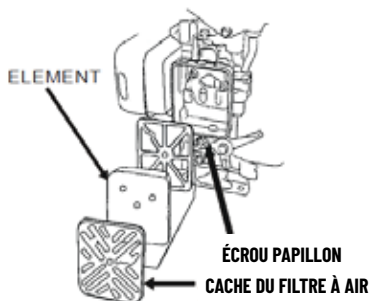


#### ТЕМПЕРАТУРА ОКРУЖАЮЩЕЙ СРЕДЫ

Вязкость масла SAE и классификация обслуживания приведены на этикетке АНИ, находящейся на емкости с маслом. Мы рекомендуем использовать масло стандарта API SERVICE категории SE или SF.

### ПРОВЕРКА ВОЗДУШНОГО ФИЛЬТРА

Снимите кожух воздухоочистителя и осмотрите фильтр. Произведите чистку или замену грязных элементов фильтра. Всегда заменяйте поврежденные элементы фильтра. Если двигатель оснащен воздушным фильтром с масляной ванной, проверьте также уровень масла.



### ОБСЛУЖИВАНИЕ ВОЗДУХОЧИСТИТЕЛЯ

Грязный воздушный фильтр может воспрепятствовать потоку воздуха, идущему в карбюратор, и привести к снижению КПД двигателя. Если эксплуатация двигателя осуществляется в очень пыльном месте, необходимо прочищать воздушный фильтр чаще, чем указано в ГРАФИКЕ ТЕХНИЧЕСКОГО ОБСЛУЖИВАНИЯ.

### ПРИМЕЧАНИЕ

Эксплуатация двигателя без воздушного фильтра или с поврежденным воздушным фильтром позволяет грязи проникать в двигатель, приводя к его быстрому износу. На этот тип ущерба Ограниченная гарантия дистрибьютора не распространяется.

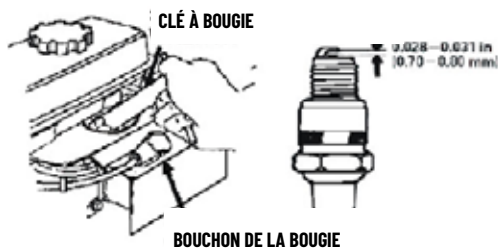
### ОБСЛУЖИВАНИЕ СВЕЧИ ЗАЖИГАНИЯ

Рекомендуемые свечи зажигания: E5T или аналогичные.

### ПРИМЕЧАНИЕ

Использование неправильной свечи зажигания может привести к повреждению двигателя.

1. Отсоедините колпак свечи и удалите всю грязь вокруг нее.
2. Снимите свечу зажигания при помощи свечного ключа.



3. Осмотрите свечу зажигания. Замените ее, если электроды изношены или если изоляция имеет трещины или сколы.
4. Измерьте межэлектродный зазор свечи зажигания подходящим инструментом. Зазор должен составлять 0,028 - 0,031 дюйма (0,70 - 0,80 мм). При необходимости исправьте зазор, осторожно согнув боковой электрод.
5. Осторожно установите свечу зажигания рукой, избегая кривой посадки при вкручивании.
6. После того как свеча зажигания встанет на место, затяните ее свечным ключом для сжатия воды. Если вы повторно устанавливаете использованную свечу зажигания, затяните на 1/8 - 1/4 оборота после того, как свеча встанет на место. Если вы устанавливаете новую свечу зажигания, затяните на 1/2 оборота после того, как свеча встанет на место.

**ПРИМЕЧАНИЕ**

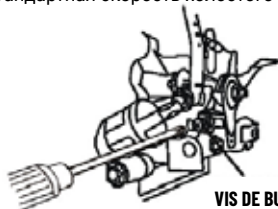
Свободно стоящая свеча зажигания может перегреться и повредить двигатель. Слишком сильно затянутая свеча может повредить резьбу на головке цилиндра.

7. Присоедините колпак свечи зажигания

**РЕГУЛИРОВКА СКОРОСТИ ХОЛОСТОГО ХОДА**

1. Запустите двигатель на открытом воздухе и дайте ему разогреться до рабочей температуры.
2. Установите дроссельный рычаг в самое медленное положение.
3. Поверните ограничительный винт дроссельной заслонки для получения стандартной скорости холостого хода.

Стандартная скорость холостого хода:  $2,200 \pm 150$  об/мин



**VIS DE BUTÉE DES GAZ**

## РАЗДЕЛ 7 ХРАНЕНИЕ/ТРАНСПОРТИРОВКА

---

**ХРАНЕНИЕ ДВИГАТЕЛЯ****Подготовка к хранению**

Правильная подготовка к хранению необходима для бесперебойного хранения двигателя и поддержания его хорошего внешнего вида. Необходимо предпринять следующие шаги для того, чтобы ржавчина и коррозия не повлияли на работу и внешний вид двигателя, а также чтобы облегчить запуск двигателя после хранения.

**Чистка**

Если двигатель работал, перед чисткой дайте ему остыть в течение не менее получаса. Очистите все внешние поверхности, подкрасьте места с поврежденной краской и покройте другие подверженные ржавчине места легкой масляной пленкой.

**ПРИМЕЧАНИЕ**

Использование садового шланга или работающего под давлением мощного оборудования может привести к попаданию воды в воздухоочиститель или отверстие глушителя. Попадание воды в воздухоочиститель приведет к его намоканию, а вода, проходящая через воздушный фильтр или глушитель, может попасть в цилиндр и повредить его. Вода, контактирующая с горячим двигателем, может привести к повреждениям. Если двигатель работал, перед мойкой дайте ему остыть в течение не менее получаса.

## Топливо

При хранении бензин окисляется, а его качество ухудшается. Старый бензин может привести к проблемам при запуске и образованию резиновых отложений, которые засоряют топливную систему. Если при хранении качество бензина ухудшится, вам может потребоваться обслуживание или замена карбюратора и других элементов топливной системы. Продолжительность времени, на которое бензин может быть оставлен в вашем топливном баке и карбюраторе без возникновения проблем с работой, зависит от бензиновой смеси, температуры хранения, а также от того, заполнен топливный бак полностью или частично. Воздух в частично заполненном топливном баке приводит к дальнейшему ухудшению качества топлива. Слишком теплая температура хранения приводит к более быстрому ухудшению качества топлива. Проблемы, связанные с ухудшением качества топлива, могут возникнуть в течение нескольких месяцев или даже раньше, если бензин при заправке топливного бака был несвежим. Ограниченная гарантия дистрибьютора не распространяется на повреждения топливной системы или эксплуатационные проблемы двигателя, вызванные несоблюдением правил подготовки двигателя к хранению. Вы можете продлить срок хранения топлива путем добавления стабилизатора топлива, который предназначен специально для этой цели, или же вы можете избежать проблем, опорожнив топливный бак и карбюратор.

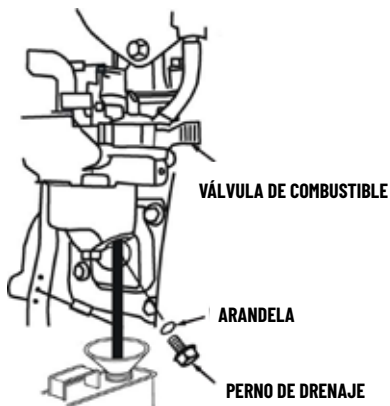
## ДОБАВЛЕНИЕ ТОПЛИВНОГО СТАБИЛИЗАТОРА ДЛЯ ПРОДЛЕНИЯ СРОКА ХРАНЕНИЯ ТОПЛИВА

Когда вы добавляете стабилизатор топлива, заполните топливный бак свежим бензином. Если бак заполнен неполностью, воздух в баке будет способствовать ухудшению качества топлива во время хранения. Если вы храните емкость с бензином для заправки, убедитесь, что в емкости содержится только свежий бензин.

1. Добавляйте стабилизатор топлива в соответствии с инструкциями производителя.
2. После добавления стабилизатора топлива, дайте двигателю поработать на открытом воздухе 10 минут для того, чтобы в карбюраторе произошло замещение необработанного бензина обработанным.
3. Остановите двигатель и поверните топливный клапан в положение «ВЫКЛ.».

## ОПОРОЖНЕНИЕ ТОПЛИВНОГО БАКА И КАРБЮРАТОРА

1. Поместите соответствующую емкость для бензина под карбюратор и воспользуйтесь воронкой для того, чтобы избежать пролития топлива.
2. Выньте пробку сливного отверстия и отстойник карбюратора, а затем поверните рычаг топливного клапана в положение «ВКЛ.».



3. После того как топливо стечет в емкость, снова установите пробку сливного отверстия и отстойник. Плотно затяните их.

### **Меры предосторожности при хранении**

1. Заменить двигательное масло.
2. Вынуть свечи зажигания.
3. Налить столовую ложку (5-10 куб.см) чистого двигательного масла в цилиндр.
4. Дернуть за шнур стартера несколько раз, чтобы масло распределилось по цилиндру.
5. Снова установить свечи зажигания.
6. Медленно потянуть за шнур стартера, пока не почувствуете сопротивления. Это закроет клапаны, что предотвратит проникновение влаги в цилиндр двигателя. Осторожно вернуть шнур стартера в исходное положение.

Если ваш двигатель будет храниться с бензином в топливном баке и карбюраторе, очень важно снизить риск возгорания бензиновых паров. В качестве места для хранения выберите хорошо вентилируемое место вдали от любого прибора, в работе которого используется пламя, такого как печь, водный нагреватель или сушилка для одежды. Также избегайте мест, в которых присутствует производящий искру электрический мотор, или мест, где используются механизированные инструменты. При возможности избегайте мест хранения с высокой влажностью, так как она способствует появлению ржавчины и коррозии. Пока топливо полностью не вытечет из топливного бака, рычаг топливного клапана должен находиться в положении «ВЫКЛ.», чтобы снизить вероятность утечки топлива. Разместите оборудование так, чтобы двигатель находился на ровной поверхности. Наклонное положение может привести к утечке топлива или масла. Когда двигатель и выхлопная система остынут, накройте двигатель для предотвращения оседания пыли. Горячий двигатель и выхлопная система могут привести к возгоранию или расплавлению некоторых материалов. Не используйте пластик в качестве чехла для защиты от пыли. Воздухонепроницаемый чехол приведет к образованию влажности вокруг двигателя, что будет способствовать появлению ржавчины и коррозии. Если двигатель оснащен аккумулятором для электрического стартера, во время хранения подзаряжайте его раз в месяц. Это поможет продлить срок службы аккумулятора.

### **Расконсервация**

Проверьте ваш двигатель в соответствии с указаниями, приведенными в главе «ПРОВЕРКА ПЕРЕД ЭКСПЛУАТАЦИЕЙ». Если топливный бак был опорожнен во время подготовки к хранению, заправьте бак свежим бензином. Если вы держите емкость с бензином для заправки, убедитесь, что в емкости содержится только свежий бензин. Со временем бензин окисляется, а его качество ухудшается, что затрудняет запуск двигателя. Если во время подготовки к хранению цилиндры были обработаны маслом, при запуске двигатель может дымить в течение непродолжительного времени. Это нормальное явление.

### **ТРАНСПОРТИРОВКА**

Если двигатель работал, дайте ему остыть в течение по крайней мере 15 минут перед погрузкой работающего от двигателя оборудования на транспортное средство. Горячий двигатель и выхлопная система могут привести к ожогам и возгоранию некоторых материалов.

При транспортировке держите двигатель в ровном положении для снижения вероятности утечки топлива. Установите рычаг топливного клапана в положение «ВЫКЛ.».

## РАЗДЕЛ 8 УСТРАНЕНИЕ НЕИСПРАВНОСТЕЙ

ДВИГАТЕЛЬ НЕ ЗАПУСКАЕТСЯ	ВОЗМОЖНАЯ ПРИЧИНА	РЕШЕНИЕ
Электрический стартер: проверьте аккумулятор.	Аккумулятор разрядился.	Перезарядите аккумулятор.
Проверьте положение командных устройств.	Топливный клапан ВЫКЛЮЧЕН.	Повернуть рычаг в положение «ВКЛ.».
	Рукоятка воздушной заслонки в положении «ОТКРЫТО».	Поверните рукоятку в положение «ЗАКРЫТО», при условии, что двигатель остыл.
	Переключатель двигателя ВЫКЛЮЧЕН.	Поверните переключатель двигателя в положение «ВКЛ.».
Проверьте топливо	Закончилось топливо.	Заправьте топливом.
	Плохое топливо; двигатель хранился без обработки топлива или опорожнения бака или же был заправлен плохим топливом.	Опорожните топливный бак и карбюратор. Заправьте свежим бензином.
Выньте и осмотрите свечи зажигания.	Неисправные или засоренные свечи или же свечи с неправильным зазором.	Установите правильный зазор или замените свечи зажигания.
	Свечи зажигания, намоченные топливом (затопленный двигатель).	Высушите и снова установите свечи зажигания. Запустите двигатель с дроссельным рычагом в положении «БЫСТРО»
Отнесите двигатель в сервисный центр или прочитайте инструкцию	Топливный фильтр засорен, карбюратор неисправен, зажигание неисправно, клапан заблокирован и т.д.	По необходимости замените или отремонтируйте неисправные компоненты.

ДВИГАТЕЛЮ НЕ ХВАТАЕТ МОЩНОСТИ	ВОЗМОЖНАЯ ПРИЧИНА	РЕШЕНИЕ
Проверьте воздушный фильтр.	Элемент(ы) фильтра засорен(ы).	Прочистите или замените элемент(ы) фильтра.
Проверьте топливо.	Закончилось топливо.	Заправьте топливом.
	Плохое топливо; двигатель хранился без обработки топлива или опорожнения бака или же был заправлен плохим топливом.	Опорожните топливный бак и карбюратор. Заправьте свежим бензином.
Отнесите двигатель в сервисный центр или прочитайте инструкцию	Топливный фильтр засорен, карбюратор неисправен, зажигание неисправно, клапан заблокирован и т.д.	По необходимости замените или отремонтируйте неисправные компоненты.

## РАЗДЕЛ 9 ТЕХНИЧЕСКАЯ ИНФОРМАЦИЯ И ИНФОРМАЦИЯ ДЛЯ ПОТРЕБИТЕЛЯ

### ТЕХНИЧЕСКАЯ ИНФОРМАЦИЯ

Местонахождение серийного номера



NÚMERO DE  
SERIE DEL TIPO



Укажите серийный номер двигателя в предусмотренной для этого ниже строке. Этот серийный номер вам понадобится при заказе запчастей, а также при отправке технических и гарантийных запросов.

Серийный номер двигателя: \_\_\_\_\_

**Модификация карбюратора для работы на большой высоте** При работе на большой высоте стандартная воздушно-топливная смесь является слишком богатой. Эксплуатационные характеристики ухудшаются, а потребление топлива возрастает. Слишком богатая смесь также приводит к засорению свечи зажигания и затрудняет запуск двигателя. Работа в течение продолжительного времени на высоте отличной от той, на которую был рассчитан двигатель, может привести к увеличению выбросов. При работе на большой высоте эксплуатационные характеристики можно улучшить благодаря специальной модификации карбюратора. Если эксплуатация двигателя осуществляется на высоте более 5000 футов (1500 метров), попросите сервисный центр выполнить данную модификацию карбюратора. Если вы будете работать на большой высоте с карбюратором, модифицированным для работы на большой высоте, ваш двигатель будет соответствовать стандартам выхлопных газов на протяжении всего срока службы.

Даже при наличии модифицированного карбюратора, мощность двигателя в лошадиных силах будет уменьшаться примерно на 3,5% на каждую 1000 футов (300 метров) увеличения высоты. Влияние высоты на мощность будет больше в случае немодифицированного карбюратора.

## ПРИМЕЧАНИЕ

Если карбюратор был модифицирован для работы на большой высоте, то для работы на низкой высоте воздушно-топливная смесь будет слишком бедной. Работа с модифицированным карбюратором на высоте ниже 5000 футов (1500 метров) может привести к перегреву двигателя и серьезному его повреждению. Для работы на низкой высоте обратитесь в сервисный центр для приведения карбюратора в соответствие с исходными заводскими техническими условиями.

## Регулировка двигателя

НАИМЕНОВАНИЕ	ТЕХНИЧЕСКОЕ УСЛОВИЕ
Зазор свечи зажигания	0,028-0,031 дюйма (0,70-0,80 мм)
Зазор клапана	ВНУТР.: 0,10±0,02 мм (холодный) ВНЕШН.: 0,15±0,02 мм (холодный)
Другие технические условия	Другой регулировки не требуется

## ИНФОРМАЦИЯ ДЛЯ ПОТРЕБИТЕЛЯ

### Документы

В этих документах содержится дополнительная информация по техническому обслуживанию и ремонту вашего двигателя. Вы можете заказать их в сервисном центре.

### Каталог запчастей

В этой инструкции приведены полные списки запчастей с иллюстрациями

**КРАТКАЯ СПРАВОЧНАЯ ИНФОРМАЦИЯ**

ДВИГАТЕЛЬНОЕ МАСЛО	ТИП	SAE 10W-30, API SJ, ДЛЯ ОБЩЕГО ПРИМЕНЕНИЯ
	Объем	0,45 л
Свеча зажигания	ТИП	E5T или аналогичный.
	Объем	0,028-0,031 дюйма (0,70-0,80 мм)
Карбюратор	Скорость холостого хода	2200+150 об/мин.
Техническое обслуживание	При каждом использовании	Проверить двигательное масло. Проверить воздушный фильтр.
	Первые 20 часов	Заменить двигательное масло.
	Последующие	См. график технического обслуживания

**РАЗДЕЛ 10  
ТЕХНИЧЕСКИЕ ХАРАКТЕРИСТИКИ**

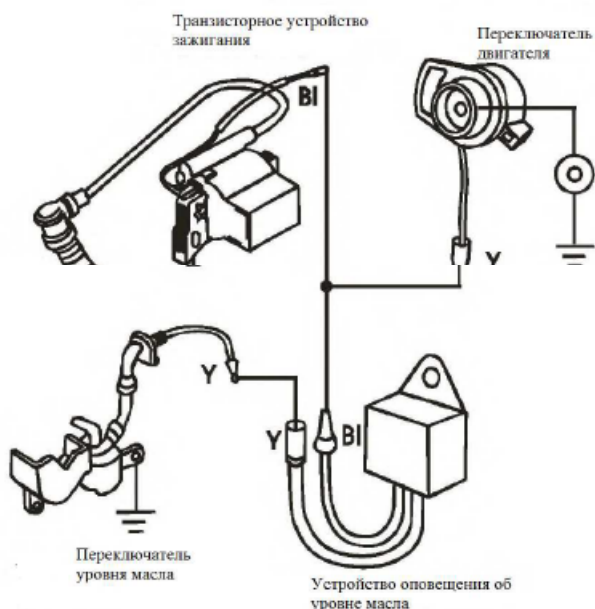
Модель	HYDROBLASTER 2.5 HP
Тип	4-ходовой форсированный двигатель с одним цилиндром Воздушное охлаждение, самовентилируемый
Расчетная мощность (кВт/3600 об/мин)	1.2
Макс. момент кручения (Нм/об/мин)	4,0 Нм/2500 об/мин
Расход топлива (г/кВтч)	<435
Скорость холостого хода (об/мин)	2200 ± 150
Колеблущееся соотношение скорости	<10 %
Шум (≤ дБ(A))	80 дБ(A)
Диаметр и ход поршня (мм)	52 x 46
Подача (куб.см)	97 куб.см
Соотношение компрессии	5,6: 1
Метод смазки	Вбрызгивание
Способ запуска	Шнуровой стартер
Вращение	Против часовой стрелки (с обратной стороны)
Зазор свечи зажигания (мм)	0.7~0.8mm
Способ зажигания	Транзисторное зажигание от магнето
Воздухоочиститель	Полусухой

НАИМЕНОВАНИЕ	ТИП	HYDROBLASTER 2.5 HP
Насос	Длина (мм)	340
	Ширина (мм)	290
	Высота (мм)	370
	Масса (кг)	13
	Диаметр всасывающего отверстия	1,5 дюйма (40 мм)
	Диаметр выходящего отверстия	1,5 дюйма (40 мм)
	Макс. всасывание (м)	6
	Макс. напор (м)	21
	Макс. мощность (мЗ/ч)	12

## РАЗДЕЛ 11

### ТИП ДВИГАТЕЛЯ С УСТРОЙСТВОМ ОПОВЕЩЕНИЯ ОБ УРОВНЕ МАСЛА И БЕЗ ЭЛЕКТРИЧЕСКОГО СТАРТЕРА

VI	ЧЕРНЫЙ
Y	ЖЕЛТЫЙ





# SPIS TREŚCI

ROZDZIAŁ	OPIS	STRONA
1	INFORMACJA	147
2	BUDOWA	149
3	URZĄDZENIA KONTROLNE	150
4	PRZED ROZPOCZĘCIEM PRACY	152
5	UŻYTKOWANIE	153
6	KONSERWACJA	157
7	PRZECHOWYWANIE/TRANSPORT	163
8	USUWANIE USTEREK	166
9	DANE TECHNICZNE I UŻYTKOWE	166
10	SPECYFIKACJA	168
11	TYP URZĄDZENIA Z UKŁADEM OSTRZEGAWCZYM POZIOMU OLEJU I BEZ ELEKTRYCZNEGO ROZRUCHU	169

## ROZDZIAŁ 1 INFORMACJA

Producent dziękuje za zakupienie pompy. Informacje i specyfikacje podane w niniejszej publikacji odnoszą się do okresu zatwierdzenia i wydrukowania niniejszego tekstu. Zabrania się powielania jakiegokolwiek części niniejszej publikacji bez pisemnej zgody. Niniejsza instrukcja stanowi integralną część pompy i powinna jej towarzyszyć w przypadku odsprzedaży. Ilustracje umieszczone w niniejszej instrukcji dotyczą modelu: HYDROBLASTER 2.5HP W zależności od typu, ilustracje mogą się różnić. Instrukcja powinna być przechowywana w zasięgu ręki tak, aby można było ją skonsultować w każdym momencie. Niniejsza instrukcja stanowi integralną część pompy wodnej i powinna jej towarzyszyć w przypadku odsprzedaży. W razie awarii lub każdej innej wątpliwości dotyczącej pompy należy skonsultować się z autoryzowanym dealerem. Bezpieczeństwo użytkownika oraz innych osób jest bardzo ważne. Użytkowanie niniejszej pompy wodnej stanowi dużą odpowiedzialność. W celu ułatwienia podjęcia prawidłowych decyzji producent dostarczył instrukcji użytkowania oraz innych informacji umieszczonych na nalepkach na urządzeniu i w niniejszej instrukcji. Podane informacje ostrzegają o potencjalnym zagrożeniu, które mogłoby spowodować obrażenia w stosunku do użytkownika lub innych osób. Oczywiście nie jest możliwe poinformowanie o wszystkich, możliwych zagrożeniach występujących podczas użytkowania lub konserwacji pompy. Użytkownik powinien kierować się własnym rozsądkiem. Ważne informacje w zakresie bezpieczeństwa są podane w różnorodnej formie: nalepki bezpieczeństwa na pompie, komunikaty bezpieczeństwa poprzedzone przez symbole ostrzegawcze oraz jeden z trzech terminów ZAGROŻENIE, OSTRZEŻENIE lub UWAGA. Powyższe terminy oznaczają: Nieprzestrzeganie instrukcji PROWADZI do POWAŻNYCH OBRAŻEŃ, a nawet ŚMIERCI. Nieprzestrzeganie instrukcji MOŻE doprowadzić do POWAŻNYCH OBRAŻEŃ, a nawet ŚMIERCI. Nieprzestrzeganie instrukcji MOŻE doprowadzić do OBRAŻEŃ. Nieprzestrzeganie instrukcji może doprowadzić do uszkodzenia pompy lub innego mienia. Oznakowania bezpieczeństwa takie, jak WAŻNE INFORMACJE W ZAKRESIE BEZPIECZEŃSTWA. Sekcja bezpieczeństwa dotycząca BEZPIECZEŃSTWA POMPY. Instrukcje dotyczące prawidłowego i bezpiecznego użytkowania pompy. Cała niniejsza broszura zawiera ważne informacje w zakresie bezpieczeństwa i należy uważnie zapoznać się z jej treścią.

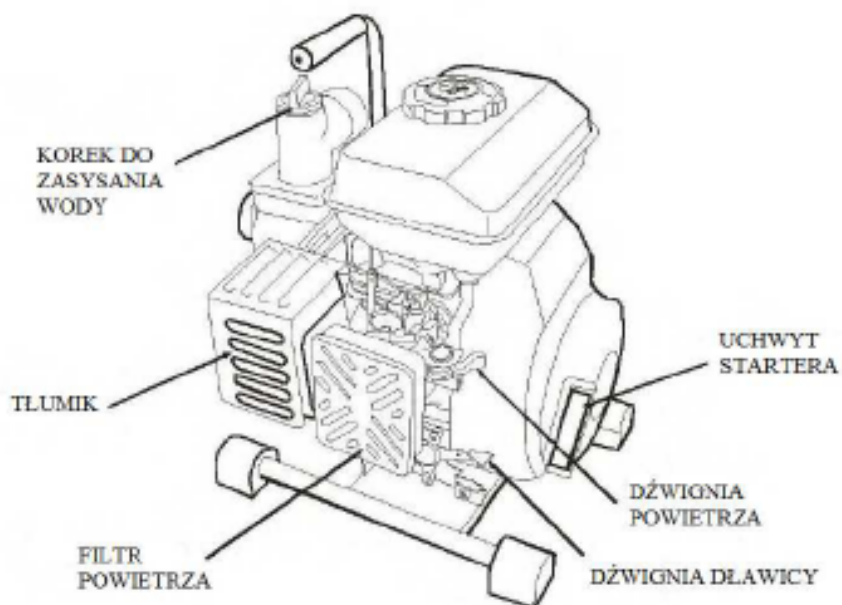
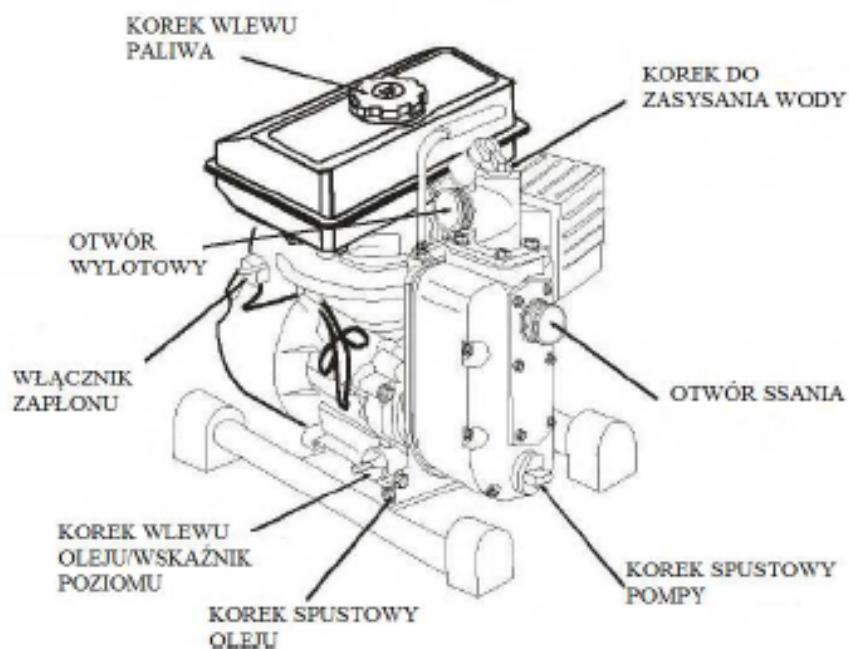
## WAŻNE INFORMACJE DOTYCZĄCE BEZPIECZEŃSTWA

Pompy są przeznaczone do pompowania wyłącznie wody nieprzeznaczonej do spożycia, a inne użycie pompy mogłoby spowodować zranienie operatora lub uszkodzenie pompy albo innego mienia. Przed włączeniem urządzenia należy zawsze przeprowadzić wstępną kontrolę pompy. W ten sposób można zapobiec wypadkom lub uszkodzeniu urządzenia. Przestrzeganie wskazówek podanych w niniejszej instrukcji i na pompie zapobiega większości wypadkom. Poniżej opisano najczęściej występujące zagrożenia, jak również optymalny sposób ich zapobiegnięcia.

### ODPOWIEDZIALNOŚĆ OPERATORA

Do obowiązków operatora należy zastosowanie niezbędnych środków w celu zapewnienia bezpieczeństwa osób i mienia. W razie awarii należy wiedzieć jak szybko zatrzymać pompę. W razie pozostawienia niestrzeżonej pompy należy zawsze ją wyłączyć. Należy dobrze zrozumieć funkcjonowanie wszystkich urządzeń kontrolnych i połączeń. Należy się upewnić, że każda osoba obsługująca pompę otrzymała stosowne instrukcje. Nie jest dozwolone obsługiwanie pompy przez dzieci. Należy zadbać o to, aby dzieci i zwierzęta nie znalazły się w polu pracy pompy. Funkcjonowanie pompy Pompa pompuje wyłącznie wodę nieprzeznaczoną do spożycia. Pompowanie łatwo palnych cieczy takich, jak benzyna lub oleje napędowe może doprowadzić do wybuchu lub pożaru, co może spowodować poważne obrażenia. Pompowanie słonej wody, napojów, kwasów, chemicznych roztworów lub każdej innej cieczy powodującej korozję może doprowadzić do uszkodzenia pompy. Podczas uzupełniania paliwa należy zachować ostrożność Benzyna jest wyjątkowo łatwo palna, a opary benzynowe mogą spowodować wybuch. Należy uzupełniać paliwo na otwartym powietrzu, w dobrze wentylowanej strefie, przy wyłączonym silniku i pompie na poziomie powierzchni. Nie należy napełniać zbiornika paliwa powyżej wskaźnika napełnienia. Nie należy nigdy palić tytoniu blisko benzyny i trzymać z daleka źródła ognia i iskier. Benzyna powinna być zawsze przechowywana w stosownym pojemniku. Należy zadbać o to, aby usunąć każdą płamę paliwa przed włączeniem urządzenia. Po wlaniu paliwa, upewnić się, że korek został prawidłowo zakręcony. Ciepło szczątkowe tłumik bardzo się nagrzewa podczas pracy i utrzymuje ciepło przez dłuższą chwilę po wyłączeniu urządzenia. Należy pamiętać o tym, aby nie dotykać tłumika, gdy jest gorący. Należy odczekać na schłodzenie się urządzenia przed przemieszczeniem pompy lub jej składowaniem w pomieszczeniu. Aby zapobiec ryzyku pożaru podczas pracy pompa powinna się znajdować w odległości co najmniej 3 stóp (1 metra) od ścian budynków i innego sprzętu. Nie pozostawiać łatwo palnych przedmiotów blisko urządzenia. Spaliny tlenku węgla zawierają trujące wydzielinę. Unikać wdychania spalin. Nigdy nie uruchamiać urządzenia w zamkniętym garażu lub pomieszczeniu.

## ROZDZIAŁ 2 BUDOWA



## ROZDZIAŁ 3

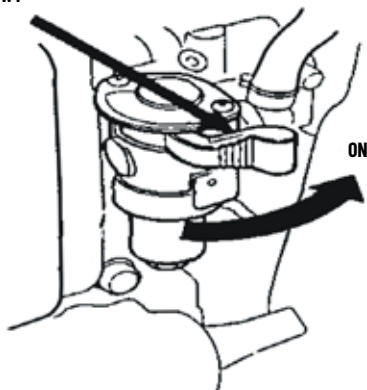
### URZĄDZENIA KONTROLNE

---

#### DŹWIGNIA ZAWORU PALIWA

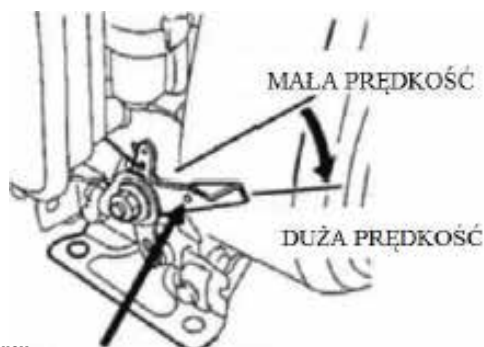
Zawór paliwowy otwiera i zamyka przepływ między zbiornikiem paliwa a gaźnikiem. Aby urządzenie mogło pracować dźwignia zaworu paliwowego powinna być ustawiona na ON. Jeżeli urządzenie nie jest wykorzystywane, należy ustawić dźwignię zaworu paliwowego na OFF, aby zapobiec zalaniu gaźnika i zmniejszyć możliwość wycieku paliwa.

#### ZAWÓR PALIWOWY



#### DŹWIGNIA PRZEPUSTNICY

Dźwignia przepustnicy nadzoruje prędkość urządzenia. Przesuwając dźwignię przepustnicy w podanym kierunku powoduje się zwiększenie lub zmniejszenie prędkości pracy urządzenia.

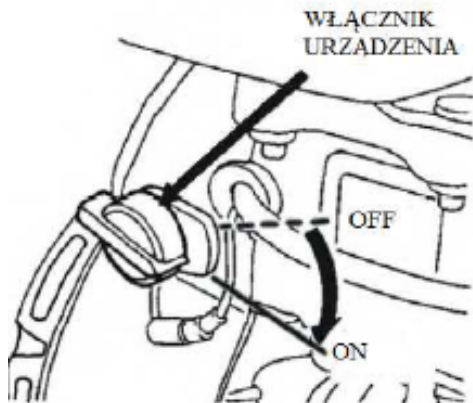


#### DŹWIGNIA PRZEPUSTNICY

#### WŁĄCZNIK URZĄDZENIA

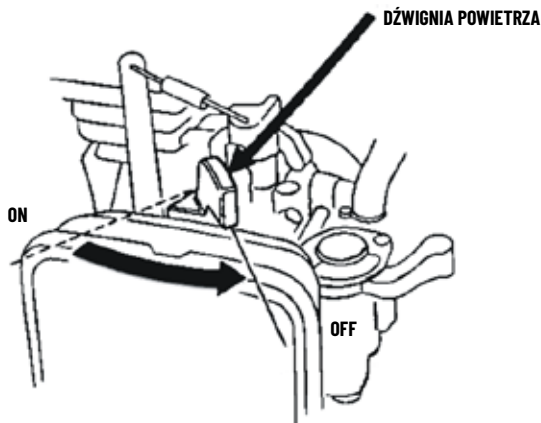
Włącznik urządzenia włącza i wyłącza system zapłonowy. Aby urządzenie mogło pracować włącznik powinien być ustawiony na ON. Ustawienie włącznika na OFF powoduje zatrzymanie urządzenia.





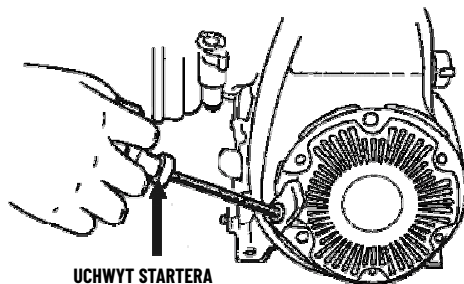
### DŹWIGNIA POWIETRZA

Dźwignia zaworu powietrza otwiera i zamyka zawór powietrza w gaźniku. Pozycja ZAMKNIĘTA wzbogaca mieszankę paliwa, aby uruchomić zimne urządzenie. Pozycja OTWARTA dostarcza prawidłowej mieszanki paliwa do pracy po uruchomieniu oraz do ponownego uruchomienia ciepłego urządzenia. W niektórych urządzeniach stosuje się zdalnie zainstalowany kontroler powietrza w miejsce przedstawionej tutaj dźwigni kontroli powietrza.



### RĘCZNE URUCHOMIENIE

Pociągnięcie za uchwyt startera powoduje włączenie urządzenia



## ROZDZIAŁ 4

### PRZED ROZPOCZĘCIEM PRACY

---

#### **CZY URZĄDZENIE JEST GOTOWE DO PRACY?**

Dla celów bezpieczeństwa oraz aby maksymalnie wydłużyć żywotność urządzenia należy poświęcić kilka chwil na przeprowadzenie kontroli stanu przed przystąpieniem do pracy. Przed przystąpieniem do pracy z urządzeniem należy się upewnić, że każda wykryta usterka została usunięta.



#### **OSTRZEŻENIE**

Niewłaściwa konserwacja urządzenia lub nieusunięcie usterki przed uruchomieniem mogłoby spowodować awarię prowadzącą do poważnych obrażeń. Należy zawsze przeprowadzać wstępną kontrolę przed każdym uruchomieniem i usunąć każdą usterkę.

Przed rozpoczęciem czynności kontrolnych należy się upewnić, że urządzenie jest wypoziomowane i że włącznik jest w położeniu OFF.

#### **KONTROLA OGÓLNEGO STANU URZĄDZENIA**

Sprawdzić wzrokowo obszar wokół i pod urządzeniem, czy nie są obecne wycieki benzyny lub oleju. Usunąć wszelkie nadmierne zanieczyszczenia, szczególnie w strefie tłumika i ręcznego startera. Sprawdzić obecność ewentualnych uszkodzeń. Sprawdzić, czy wszystkie korki i pokrywki są na miejscu i czy śruby, nity, sworznie są dobrze dokręcone.

#### **KONTROLA URZĄDZENIA**

Sprawdzić poziom oleju w urządzeniu. Uruchomienie przy niskim poziomie oleju może spowodować uszkodzenie urządzenia. System alarmowy oleju (w niektórych urządzeniach) automatycznie zatrzyma urządzenie zanim poziom oleju obniży się poniżej bezpiecznej wartości. Jednak, aby zapobiec nieoczekiwanemu wyłączeniu urządzenia, należy zawsze sprawdzić poziom oleju w urządzeniu przed jego uruchomieniem. Kontrola filtra powietrza. Zabrudzony filtr powietrza zmniejsza dopływ powietrza do gaźnika, co powoduje zmniejszenie wydajności urządzenia. Kontrola poziomu paliwa. Rozpoczęcie pracy przy pełnym zbiorniku pomoże wyeliminować lub zmniejszyć przerwy w pracy w celu uzupełnienia paliwa.

#### **KONTROLA SPRZĘTU ZASILANEGO PRZEZ URZĄDZENIE**

Skonsultować instrukcje dostarczone razem z osprzętem zasilanym przez urządzenie, aby zapoznać się ze wszelkimi środkami ostrożności i procedurami do wykonania przed włączeniem urządzenia.

## ROZDZIAŁ 5 UŻYTKOWANIE

### ŚRODKI BEZPIECZEŃSTWA DOTYCZĄCE BEZPIECZNEGO UŻYTKOWANIA

Przed pierwszym użyciem urządzenia należy zapoznać się z treścią WAŻNYCH INFORMACJI W ZAKRESIE BEZPIECZEŃSTWA oraz rozdziałem pt. PRZED UŻYCIEM.



#### OSTRZEŻENIE

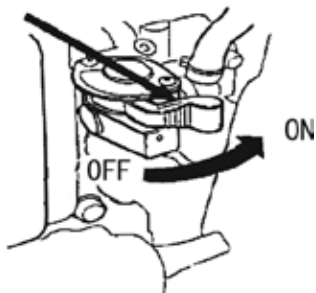
Tlenek węgla jest trujący. Jego wdychanie może spowodować utratę świadomości, a nawet śmierć. Unikać wszelkich stref lub czynności mogących narazić na działanie tlenku węgla.

Skonsultować instrukcje dostarczone razem z osprzętem zasilanym przez urządzenie, aby zapoznać się ze wszelkimi środkami ostrożności i procedurami do wykonania podczas uruchomienia, użytkowania i wyłączenia urządzenia.

### URUCHOMIENIE URZĄDZENIA

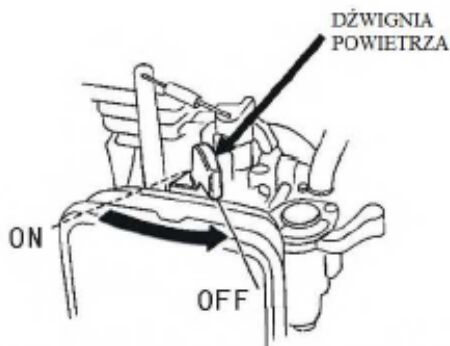
1. Przesunąć dźwignię zaworu paliwowego na ON.

#### ZAWÓR PALIWOWY



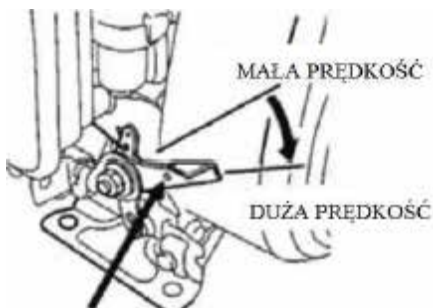
2. Aby uruchomić zimne urządzenie, przesunąć dźwignię powietrza na pozycję ZAMKNIĘCIA.

Aby uruchomić ciepłe urządzenie, przesunąć dźwignię powietrza na pozycję OTWARCIA. W niektórych urządzeniach stosuje się zdalnie zainstalowany kontroler powietrza w miejsce przedstawionej tutaj dźwigni kontroli powietrza.



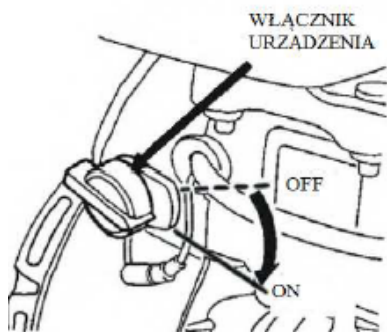
3. Przesunąć dźwignię zaworu dławiącego z pozycji WOLNO o około 1/3 w stronę pozycji SZYBKO

W niektórych urządzeniach stosuje się zdalnie zainstalowany kontroler zaworu dławiącego w miejsce przedstawionej tutaj dźwigni zaworu dławiącego.



#### DŹWIGNIA PRZEPUSTNICY

4. Ustawić włącznik urządzenia w położeniu ON

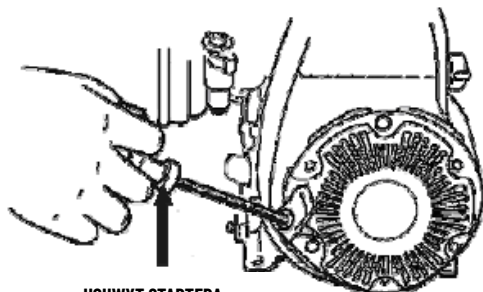


5. Włączyć starter.

RĘCZNY STARTER (wszystkie typy silnika):

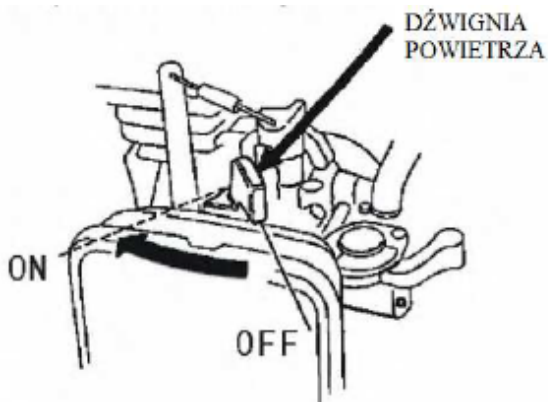
Lekko pociągnąć uchwyt startera do wyczucia oporu, wtedy szybko pociągnąć.

Delikatnie cofnąć uchwyt startera.



#### UCHWYT STARTERA

6. Jeżeli dźwignia powietrza została przesunięta do położenia ZAMKNIĘCIA, aby uruchomić urządzenie, należy stopniowo ją przesunąć do położenia OTWARCIA, w miarę jak urządzenie się nagrzewa.

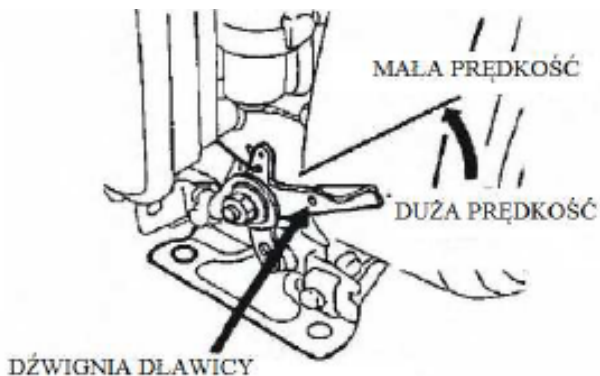


#### ZATRZYMANIE URZĄDZENIA

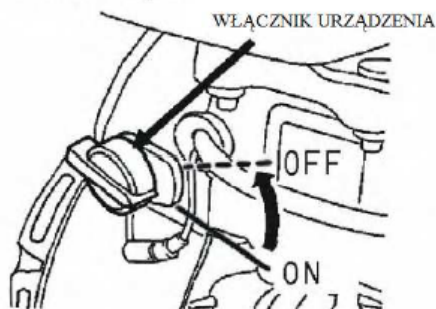
Aby zatrzymać awaryjnie urządzenie wystarczy przekręcić włącznik na położenie OFF. W normalnych warunkach, należy przestrzegać poniższej procedury.

1. Przesunąć dźwignię zaworu dławiącego na położenie WOLNO.

W niektórych urządzeniach stosuje się zdalnie zainstalowany kontroler zaworu dławiącego w miejsce przedstawionej tutaj dźwigni zaworu dławiącego.

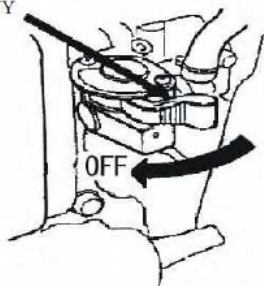


2. Ustawić włącznik urządzenia w położeniu OFF.



3. Przesunąć dźwignię zaworu paliwowego na OFF.

ZAWÓR  
PALIWOWY

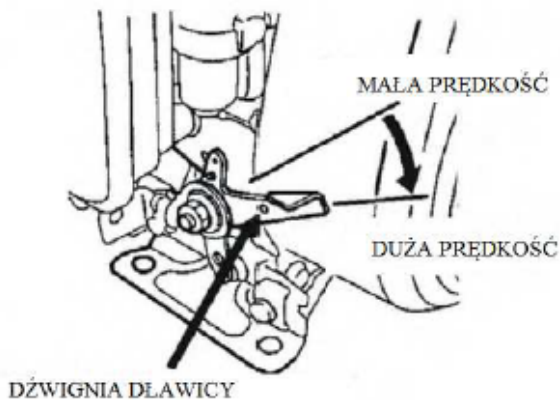


### REGULACJA PRĘDKOŚCI URZĄDZENIA

Ustawić dźwignię zaworu dławiącego na żądanej prędkości urządzenia.

W niektórych urządzeniach stosuje się zdalnie zainstalowany kontroler zaworu dławiącego w miejsce przedstawionej tutaj dźwigni zaworu dławiącego.

Odnosnie zaleceń dotyczących prędkości urządzenia, należy skonsultować instrukcje dostarczone wraz z osprzętem zasilanym przez urządzenie.



## ROZDZIAŁ 6

### KONSERWACJA

---

#### WAŻNA ROLA KONSERWACJI

Prawidłowa konserwacja jest niezbędna do bezpiecznego, oszczędnego i niezawodnego użytkowania urządzenia. Przyczynia się ona też do zmniejszenia zapylenia środowiska.



#### OSTRZEŻENIE

Niewłaściwa konserwacja urządzenia lub nieusunięcie usterki przed uruchomieniem mogłoby spowodować awarię prowadzącą do poważnych obrażeń lub śmierci. Należy zawsze przestrzegać zaleceń dotyczących kontroli i konserwacji oraz stosownych schematów podanych w niniejszej instrukcji obsługi.

Aby ułatwić prawidłowe dbanie o urządzenie na kolejnych stronach podano schematy dotyczące konserwacji, rutynowe zabiegi kontrolne oraz proste procedury konserwacyjne przy użyciu podstawowych narzędzi. Pozostałe zabiegi serwisowe, które są bardziej skomplikowane lub wymagają użycia specjalnych narzędzi powinny być wykonywane przez wyspecjalizowanych techników lub wykwalifikowanych mechaników. Schemat zabiegów konserwacyjnych odnosi się do normalnych warunków użytkowania. Jeżeli urządzenie pracuje w wyjątkowych warunkach takich, jak długotrwałe obciążenie lub wysoka temperatura albo pracuje w wyjątkowo wilgotnym lub zapyłonym środowisku należy skonsultować się z najbliższym dealerem w celu uzyskania informacji dotyczących indywidualnych potrzeb i wymagań.

#### ZACHOWANIE BEZPIECZEŃSTWA

Poniżej podano kilka najważniejszych zasad bezpieczeństwa: Producent nie jest jednak w stanie ostrzec o wszelkich zagrożeniach, jakie mogą powstać podczas wykonywania konserwacji. Tylko osoba wykonująca zabieg jest w stanie zdecydować, czy dana czynność powinna być wykonana, czy też nie.



#### OSTRZEŻENIE

Nieprzestrzeganie wskazówek dotyczących konserwacji lub środków ostrożności może spowodować poważne obrażenia, a nawet śmierć. Należy zawsze przestrzegać procedur i środków ostrożności podanych w instrukcji obsługi.

#### ŚRODKI BEZPIECZEŃSTWA

Należy się upewnić, że urządzenie zostało wyłączone przed przystąpieniem do wykonywania jakiegokolwiek zabiegu konserwacyjno-naprawczego. Umożliwi to wyeliminowanie wielu potencjalnych zagrożeń;

- zatrucie tlenkiem węgla zawartym w wydzielinach  
Należy zapewnić odpowiednią wentylację w miejscu pracy urządzenia.
- poparzenia na skutek obecności gorących powierzchni. Należy poczekać na schłodzenie urządzenia i systemu odprowadzania spalin przed dotknięciem urządzenia.
- obrażenia na skutek obecności ruchomych elementów. Nie należy użytkować urządzenia bez posiadania odpowiedniego pouczenia w zakresie jego obsługi.

Przed rozpoczęciem zabiegu należy przeczytać instrukcje i upewnić się, że ma się do dyspozycji niezbędne narzędzia oraz umiejętności. Zachować ostrożność podczas obchodzenia się z benzyną, aby uniknąć zagrożenia pożarem lub wybuchem. Do czyszczenia komponentów należy używać wyłącznie niepalnego rozpuszczalnika, a nie benzyny. Komponenty mające styczność z paliwem powinny być trzymane z daleka od tytoniu i źródeł ognia lub iskieł. Pamiętaj o tym, że sprzedawca najlepiej zna urządzenie i jest w pełni wyposażony w celu zapewnienia jego konserwacji i naprawy. W celu zapewnienia optymalnej jakości i niezawodności należy stosować wyłącznie nowe, oryginalne części zamienne lub części równoważne.

## SCHEMAT DOTYCZĄCY KONSERWACJI

ODSTĘPY MIĘDZY ZABIEGAMI REGULARNEJ KONSERWACJI przeprowadzonymi co każdy podany miesiąc lub po każdej podanej ilości przepracowanych roboczogodzin, w zależności od tego, która z sytuacji powstanie wcześniej.		Przy każdym użyciu	Po pierwszym miesiącu lub po upływie 20 godz.	Co 3 miesiące lub po upływie każdych 50 godz.	Co 6 miesięcy lub po upływie każdych 100 godz.	Co roku lub po upływie 300 godz.
PRZEDMIOT						
• Olej w urządzeniu	Sprawdzić poziom	0				
	Wymiana		0		0	
• Filtr powietrza	Kontrola	0				
	Czyszczenie			0(1)		
	Wymiana					
• Korek osadu	Czyszczenie				0	
• Świeca	Kontrola-Czyszczenie				0	
	Wymiana					0*
• Wyłącznik iskry (opcja)	Czyszczenie				0	
• Prędkość robocza	Kontrola-Regulacja					0(2)
• Przelot zaworu	Kontrola-Regulacja					0(2)
• Zbiornik i filtr paliwa	Czyszczenie					0(2)
• Komora spalania	Czyszczenie			Po upływie każdy 300 godz. (2)		
• Dopływ paliwa	Kontrola			Co 2 lata (wymienić, jeżeli konieczne)(2)		

• Dotyczy emisji

\* Wymienić tylko element papierowy.

(1) Jeżeli urządzenie pracuje w zapyłonym środowisku należy częściej wykonywać zabiegi konserwacyjne.

(2) Te komponenty powinny być serwisowane przez waszego dealera chyba, że użytkownik dysponuje odpowiednimi narzędziami i ma przygotowanie mechaniczne. Skonsultować instrukcję w zakresie procedur konserwacyjnych

## UZUPEŁNIANIE PALIWA

Pojemność zbiornika paliwa

.47 US qt (1.4l)

Przy wyłączonym urządzeniu, zdjęć korek ze zbiornika paliwa i sprawdzić poziom paliwa. Uzupełnić jego poziom, jeżeli jest niski.

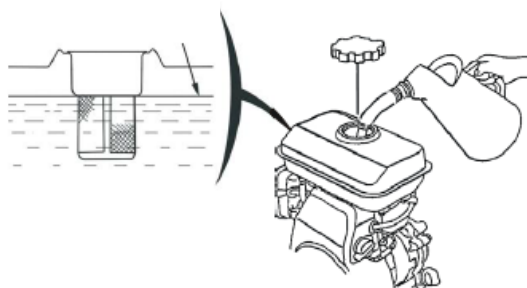


## OSTRZEŻENIE

Benzyna jest bardzo łatwo palna i wybuchowa. Obchodzenie się z paliwem grozi poważnymi obrażeniami i poparzeniem. Wyłączyć urządzenie i trzymać z daleka źródła ognia, iskier i ciepła. Wszelkie czynności związane z benzyną powinny być wykonywane wyłącznie na zewnątrz. Należy natychmiast usunąć wszelkie plamy i wycieki paliwa.



Maksymalny poziom paliwa



Uzupełniać paliwo w strefie dobrze wentylowanej i przed uruchomieniem silnika. Jeżeli urządzenie było wcześniej włączone, należy odczekać, aby się schłodziło. Ostrożnie dolewać paliwa tak, aby nie było wyprysków. Nie należy napełniać zbiornika paliwa powyżej wskaźnika napełnienia. Po napełnieniu, dobrze dokręcić korek zbiornika paliwa.

Nigdy nie uzupełniać paliwa w pomieszczeniu, gdzie opary benzyny mogą mieć styczność z płomieniem lub iskrami. Przechowywać benzynę z daleka od urządzeń świetlnych, grilla, sprzętu elektrycznego, urządzeń mocy, itp. Rozlane paliwo nie tylko stanowi zagrożenie pożarem, ale też zanieczyszcza środowisko. Należy natychmiast usuwać wszelkie plamy i wycieki paliwa.

#### **UWAGA**

Paliwo może uszkodzić lakierowane i plastikowe powierzchnie. Zwrócić uwagę, aby nie rozlać paliwa podczas napełniania zbiornika. Szkody spowodowane przez rozlane paliwo nie są objęte gwarancją.

#### **ZALECENIA DOTYCZĄCE PALIWA**

##### **Używać bezołowiowej benzyny o liczbie oktanowej równej 86 lub wyższej.**

Urządzenie posiada atest do pracy przy użyciu benzyny bezołowiowej. Benzyna bezołowiowa wydziela mniej osadu na świecy i urządzeniu i przedłuża okres żywotności systemu odprowadzania spalin. Nie należy nigdy używać starej lub zanieczyszczonej benzyny albo mieszanki benzynowo-olejowej. Należy unikać przedostania się wody lub brudu do zbiornika paliwa. Podczas pracy pod dużym obciążeniem można czasem usłyszeć lekki odgłos iskrzenia lub świszczanie (metalowy odgłos). Nie powinno to wzbudzać zaniepokojenia. Jeżeli świszczanie lub odgłosy iskrzenia mają miejsce podczas pracy na normalnej prędkości należy zmienić markę benzyny. Jeżeli odgłosy i świszczanie są nadal obecne należy wezwać autoryzowanego serwisanta.

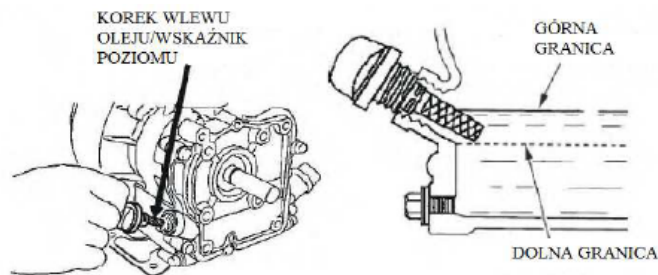
#### **UWAGA**

Praca na urządzeniu wydającym ciągłe odgłosy i świszczanie może spowodować jego uszkodzenie. Praca na urządzeniu wydającym ciągłe odgłosy i świszczanie jest uważana za nieprawidłowe użytkowanie i ewentualne wynikające z tego uszkodzenia komponentów nie są objęte gwarancją

#### **KONTROLA POZIOMU OLEJU W URZĄDZENIU**

Poziom oleju powinien być sprawdzany przy wyłączonym urządzeniu na płaskiej pozycji.

1. Zdjąć korek wlewowy/wskaźnik poziomu i wyczyścić.



2. Założyć i zdjąć wskaźnik bez przykręcania do kotłownika wlewu. Sprawdzić poziom oleju wskazany przez wskaźnik.
3. Jeżeli poziom oleju jest niski, uzupełnić do krawędzi otworu dolewając oleju zalecanego typu.
4. Mocno dokręcić korek/wskaźnik poziomu.

### UWAGA

Uruchomienie przy niskim poziomie oleju może spowodować uszkodzenie urządzenia.

System ostrzegawczy oleju (w niektórych urządzeniach) automatycznie zatrzyma urządzenie zanim poziom oleju obniży się poniżej bezpiecznej wartości. Jednak, aby zapobiec nieoczekiwanemu wyłączeniu urządzenia, należy zawsze sprawdzić poziom oleju w urządzeniu przed jego uruchomieniem.

### WYMIANA OLEJU

Spuścić zużyty olej, gdy urządzenie jest ciepłe. Ciepły olej sphywa szybko i całkowicie.

1. Umieścić odpowiedni pojemnik na zużyty olej pod urządzeniem, a następnie zdjąć korek/wskaźnik poziomu i spuścić olej.
2. Spuścić cały olej, a następnie ponownie założyć korek spustowy i dobrze go dokręcić. Zużyty olej powinien być zlikwidowany w sposób przyjazny dla środowiska. Zaleca się oddanie zużytego oleju w zapieczętowanym pojemniku do miejscowego punktu zbiórki odpadów lub punktu serwisowego. Nie wyrzucać zużytego oleju do śmieci lub wylewać do podłoża albo do kanału ściekowego.
3. Przy urządzeniu na płaskiej pozycji, uzupełnić do krawędzi otworu dolewając oleju zalecanego typu. Pojemność oleju:

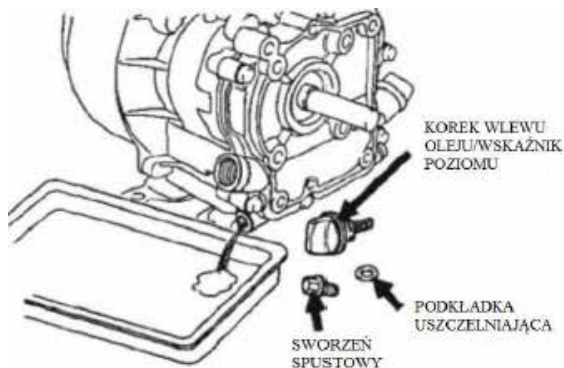
0,48 US qt (0.4l)

Uruchomienie przy niskim poziomie oleju może spowodować uszkodzenie urządzenia.

System ostrzegawczy oleju (w niektórych urządzeniach) automatycznie zatrzyma urządzenie zanim poziom oleju obniży się poniżej bezpiecznej wartości.

Jednak, aby zapobiec nieoczekiwanemu wyłączeniu urządzenia, należy regularnie sprawdzać poziom oleju w urządzeniu.

4. Mocno dokręcić korek/wskaźnik poziomu.



### ZALECENIA DOTYCZĄCE OLEJU

Olej jest czynnikiem mającym największy wpływ na wydajność i żywotność urządzenia. Należy używać oleju do silników 4-taktowych.

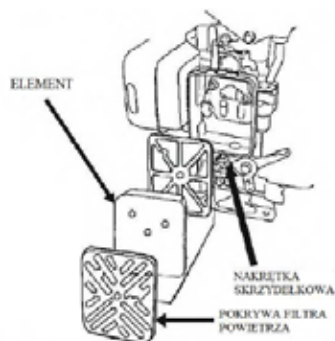
Zaleca się stosowanie SAE 10W-30 do ogólnego użytku. Inny stopień lepkości, przedstawiony na wykresie, może być używany, gdy średnia temperatura w danej strefie znajduje się w zalecanym przedziale.



Stopień lepkości oraz kategoria robocza są podane na nalepce API umieszczonej na opakowaniu oleju. Zaleca się stosowanie olejów kategorii API SERVICE SE lub SF.

### KONTROLA FILTRA POWIETRZA

Zdjąć pokrywę filtra powietrza i sprawdzić stan filtra. Wyczyścić lub wymienić zabrudzone elementy filtra. Należy zawsze wymienić uszkodzone elementy filtra. Jeżeli filtr powietrza jest w kąpiel olejowej należy sprawdzić również poziom oleju.



### KONSERWACJA FILTRA POWIETRZA

Zabrudzony filtr powietrza zmniejsza dopływ powietrza do gaźnika, co powoduje zmniejszenie wydajności urządzenia. Jeżeli urządzenie pracuje w bardzo zapyłonym środowisku należy czyścić filtr powietrza częściej od okresów podanych w SCHEMACIE DOTYCZĄCYM KONSERWACJI.

### UWAGA

Użytkowanie urządzenia bez filtra powietrza lub przy uszkodzonym filtrze powietrza umożliwia przedostanie się kurzu do urządzenia, co powoduje jego szybkie zużycie. Tego typu uszkodzenia nie są objęte gwarancją producenta.

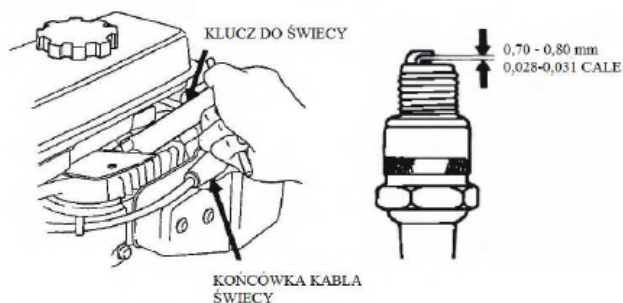
### KONSERWACJA ŚWIECY

Zaleca się stosowanie następujących świec: E5T lub równoważne.

### UWAGA

Nieprawidłowa świeca może spowodować uszkodzenie urządzenia.

1. Odłączyć kabel świecy i usunąć wszelkie zabrudzenia obecne w strefie świecy.
2. Wymontować świecę przy użyciu stosownego klucza.



3. Sprawdzić stan świecy. Wymienić świecę, jeżeli elektrody są zużyte albo izolacja jest pęknięta albo mechowata.
  4. Zmierzyć odstęp elektrody świecy za pomocą stosownego przyrządu pomiarowego. Odstęp powinien wynosić 0.028 - 0.031 cali (0.70 - 0.80 mm). Jeżeli konieczne, skorygować odstęp ostrożnie krzywiąc bok elektrody.
  5. Ostrożnie ręcznie zainstalować świecę, aby uniknąć skrzyżowania kabli.
  6. Po usadowieniu świecy, docisnąć ją przy użyciu stosownego klucza, aby sprężyć wodę.
- Jeżeli montuje się ponownie starą świecę, to po jej usadowieniu należy dokręcić o 1/8 - 1/4 obrotu. Jeżeli montuje się nową świecę, to po jej usadowieniu należy dokręcić o 1/2 obrotu.

**UWAGA**

Poluzowana świeca może spowodować przegrzanie i uszkodzenie urządzenia.

Zbyt mocne dokręcenie świecy może spowodować uszkodzenie kabli z przodu cylindra.

7. Założyć kaptur świecy.

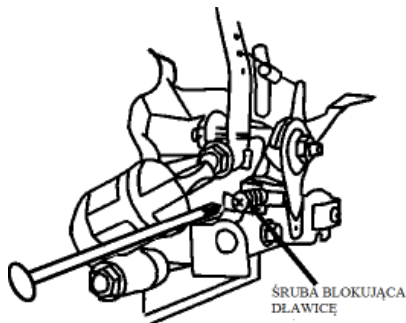
**REGULACJA PRĘDKOŚCI ROBOCZEJ**

1. Uruchomić urządzenie na zewnątrz i pozwolić mu osiągnąć temperaturę roboczą.

2. Przesunąć dźwignię zaworu dławiącego na najniższe położenie.

3. Przekręcić śrubę blokującą dławicę, aby uzyskać standardową prędkość roboczą.

Standardowa prędkość robocza:  $2,200 \pm 150$  rpm



## ROZDZIAŁ 7

### PRZECHOWYWANIE/TRANSPORT

---

**PRZECHOWYWANIE URZĄDZENIA****PRZYGOTOWANIE DO PRZECHOWYWANIA**

Prawidłowe przygotowanie do przechowywania ma zasadnicze znaczenie dla zachowania niezawodności i dobrego stanu urządzenia. Opisane poniżej czynności pomogą zabezpieczyć urządzenie przez rdzą i korozją i ułatwią jego ponowne uruchomienie po zakończeniu przechowywania.

**CZYSZCZENIE**

Jeżeli urządzenie było włączone, należy poczekać co najmniej pół godziny na jego schłodzenie przed przystąpieniem do czyszczenia. Wyczyścić całą zewnętrzną powierzchnię. Nanieść poprawki na odpryskany lakier i pokryć komponenty mogące ulec zardzewieniu niewielką warstwą oleju.

**UWAGA**

Użycie ogrodowego węża lub ciśnieniowej myjki może spowodować przedostanie się wody do filtra powietrza lub otworu tłumika. Namoczony filtr powietrza oraz woda przepływająca przez filtr i tłumik może wpłynąć do cylindra powodując szkody. Woda stykająca się z gorącym urządzeniem może spowodować szkody. Jeżeli urządzenie było włączone, należy poczekać co najmniej pół godziny na jego schłodzenie przed przystąpieniem do czyszczenia.

## PALIWO

Przechowywanie benzyny powoduje jej oksydację i starzenie się. Stara benzyna powoduje ciężki start i pozostawia gumowy osad, który zatyka układ paliwowy. Jeżeli benzyna znajdująca się w urzędzeniu zestarzeje się podczas przechowywania, może okazać się konieczny przegląd i wymiana gaźnika i pozostałych komponentów układu paliwowego. Okres czasu przez który benzyna może być pozostawiona w zbiorniku i gaźniku bez wywołania usterek zależy od takich czynników, jak rodzaj benzyny, temperatura przechowywania oraz od faktu, czy zbiornik jest pełny, czy też tylko częściowo napełniony. Powietrze obecne w częściowo napełnionym zbiorniku sprzyja starzeniu się benzyny. Wysoka temperatura przechowywania przyspiesza starzenie się benzyny. Jeżeli zbiornik został napełniony benzyną, która nie była świeża, nieprawidłowości związane ze starzeniem się benzyny mogą powstać w ciągu kilku miesięcy lub nawet wcześniej. Gwarancja producenta nie obejmuje szkód układu paliwowego lub w odniesieniu do wydajności urządzenia spowodowanych niedbałym przechowywaniem. Można wydłużyć okres przechowywania paliwa przez dodanie stabilizatora służącego właśnie do tego celu albo można zapobiec problemom związanym ze starzeniem się paliwa przez spuszczenie paliwa ze zbiornika i gaźnika.

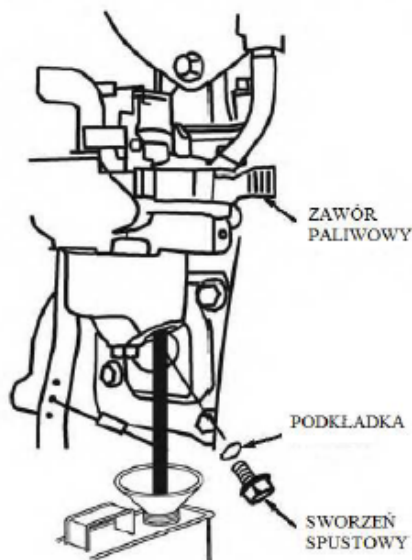
### DODANIE STABILIZATORA W CELU WYDŁUŻENIA OKRESU PRZECHOWYWANIA PALIWA

Jeżeli dodaje się stabilizator należy napełnić zbiornik świeżą benzyną. Jeżeli zbiornik zostanie napełniony tylko częściowo, powietrze obecne w zbiorniku będzie sprzyjać starzeniu się benzyny podczas przechowywania. Jeżeli przechowuje się kanister benzyny w celu uzupełniania paliwa, należy się upewnić, że zawiera on tylko świeżą benzynę.

1. Podczas dodawania stabilizatora do paliwa należy przestrzegać instrukcji producenta.
2. Po dodaniu stabilizatora do paliwa, uruchomić urządzenie na zewnątrz na 10 minut, aby się upewnić, że benzyna z dodatkiem stabilizatora zastąpiła poprzednią benzynę w gaźniku.
3. Wyłączyć urządzenie i przesunąć zawór paliwowy na położenie OFF.

### OPRÓŻNIANIE ZBIORNIKA PALIWA I GAŹNIKA

1. Umieścić pod gaźnikiem odpowiedni do benzyny pojemnik i użyć lejka, aby zapobiec rozlaniu paliwa.
2. Zdjąć sworzeń z otworu opróżniania oraz kapturek, a następnie ustawić dźwignię zaworu paliwowego w położeniu ON.



3. Po spuszczeniu całego paliwa do pojemnika, ponownie założyć sworzeń i kapturek. Mocno je dokręcić.

### **ŚRODKI OSTROŻNOŚCI DOTYCZĄCE PRZECHOWYWANIA**

1. Wymiana oleju w urządzeniu.
2. Wyjąć świece.
3. Wlać łyżkę stołową (5-10 cm<sup>3</sup>) czystego oleju silnikowego do cylindra.
4. Kilkakrotnie pociągnąć linkę startera, aby rozprowadzić olej w cylindrze.
5. Ponownie zamontować świece.
6. Wolno pociągnąć linkę startera do wyczucia oporu. Spowoduje to zamknięcie zaworów tak, aby wilgoć nie przedostała się do cylindra. Delikatnie cofnąć linkę startera. Jeżeli urządzenie ma być przechowywane z benzyną w zbiorniku paliwa i gaźniku należy pamiętać o tym, aby zmniejszyć ryzyko zapalenia się oparów benzyny. Wybrać dobrze wentylowaną strefę przechowywania z dala od wszelkich urządzeń pracujących przy użyciu płomieni takich, jak pieców, grzejników wody lub suszarek do ubiorów. Należy również unikać wszelkich miejsc, w których znajduje się elektryczny silnik wytwarzający iskry albo gdzie są używane urządzenia zasilane mocą. W miarę możliwości należy unikać dużej wilgotności, gdyż sprzyja ona powstawaniu rdzy i korozji. Z wyjątkiem sytuacji, gdy całe paliwo zostało spuszczone ze zbiornika, należy pozostawić dźwignię zaworu w położeniu OFF, aby zmniejszyć możliwość powstania wycieku paliwa. Umieścić osprzęt w taki sposób, aby urządzenie było wy poziomowane. Chybotanie się urządzenia może spowodować wyciek paliwa lub oleju. Przy zimnym urządzeniu i układzie odprowadzania spalin, należy przykryć urządzenie, aby zabezpieczyć je przed kurzem. Gorące urządzenie i układ odprowadzania spalin może spowodować zapalenie się lub stopienie niektórych materiałów. Nie używać plastikowych pokrowców do zabezpieczania urządzenia przed kurzem. Nieporowate przykrycie zatrzyma wilgoć wokół urządzenia sprzyjając powstaniu rdzy i korozji. Jeżeli urządzenie jest wyposażone w akumulator do elektrycznego startera, należy go ładować raz w miesiącu, podczas przechowywania urządzenia. Umożliwi to wydłużenie okresu eksploatacji akumulatora.

### **WYJĘCIE Z MAGAZYNU**

Sprawdzić urządzenie wg opisu podanego w rozdziale KONTROLA PRZED UŻYTKOWANIEM. Jeżeli podczas przygotowywania do przechowywania paliwo zostało spuszczone należy napełnić zbiornik świeżą benzyną. Jeżeli przechowuje się kanister benzyny w celu uzupełniania paliwa, należy się upewnić, że zawiera on tylko świeżą benzynę. Na przestrzeni czasu benzyna ulega oksydacji i starzeniu, co powoduje ciężki start urządzenia. Jeżeli cylindry zostały zabezpieczone warstwą oleju do celów przechowywania, urządzenie może początkowo wydzielać trochę dymu. Jest to normalne zjawisko.

### **TRANSPORT**

Jeżeli urządzenie było włączone, należy mu pozwolić na schłodzenie się przez co najmniej 15 minut przed załadowaniem sprzętu na środek transportu. Gorące urządzenie i układ odprowadzania spalin mogą spowodować poparzenie użytkownika lub stopienie niektórych materiałów. Podczas transportu zadbać o zachowanie płaskiej pozycji urządzenia, aby zmniejszyć możliwość wycieku paliwa. Przesunąć dźwignię zaworu paliwowego na OFF.

## ROZDZIAŁ 8

### USUWANIE USTEREK

URZĄDZENIE NIE URUCHAMIA SIĘ	MOŻLIWA PRZYCZYNA	NAPRAWA
Elektryczny rozruch: sprawdzić akumulator	Akumulator rozładowany.	Naładować akumulator.
Sprawdzić położenie urządzeń kontrolnych	Zawór paliwa na OFF.	Przesunąć dźwignię na ON.
	Dławica OTWARTA.	Przesunąć dźwignię na położenie ZAMKNIĘCIA do zagrzania urządzenia.
	Włącznik urządzenia na OFF.	Przekręcić włącznik urządzenia na ON.
Kontrola paliwa.	Brak paliwa.	Uzupelnić paliwo
	Paliwo złej jakości; urządzenie przechowywane bez zabezpieczenia lub spuszczenia benzyny albo napełnione benzyną złej jakości.	Opróżnić zbiornik paliwa i gaźnik. Napełnić świeżą benzyną.
Wyjąć i sprawdzić świece.	Uszkodzone, zanieczyszczone lub nieprawidłowo wyregulowane świece.	Wyregulować lub wymienić świece.
	Świece nasączone paliwem (zalne urządzenie).	Wysuszyć i ponownie zainstalować świece. Uruchomić urządzenie z dźwignią dławicy w położeniu SZYBKO.
Zanieść urządzenie do autoryzowanego punktu serwisowego lub skonsultować instrukcję.	Zatkany filtr paliwa, awaria gaźnika, awaria zapłonu, usterka zaworu, itp.	W razie konieczności wymienić lub naprawić uszkodzone komponenty.

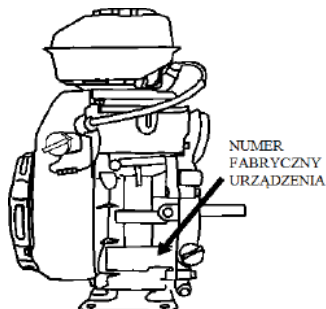
BRĄK MOCY W URZĄDZENIU	MOŻLIWA PRZYCZYNA	NAPRAWA
Sprawdzić filtr powietrza	Zatkane komponenty filtra.	Wyczyścić lub wymienić elementy filtra.
Sprawdzić paliwo	Brak paliwa.	Uzupelnić paliwo
	Paliwo złej jakości; urządzenie przechowywane bez zabezpieczenia lub spuszczenia benzyny albo napełnione benzyną złej jakości.	Opróżnić zbiornik paliwa i gaźnik. Napełnić świeżą benzyną.
Zanieść urządzenie do autoryzowanego punktu serwisowego lub skonsultować instrukcję.	Zatkany filtr paliwa, awaria gaźnika, awaria zapłonu, usterka zaworu, itp.	W razie konieczności wymienić lub naprawić uszkodzone komponenty.

## ROZDZIAŁ 9

### DANE TECHNICZNE I UŻYTKOWE

#### DANE TECHNICZNE

Umieszczenie numeru fabrycznego





Należy pamiętać o tym, że numer fabryczny urządzenia jest podany poniżej. Należy podać numer fabryczny podczas zamawiania części zamiennych lub składania wniosków dotyczących gwarancji lub innych technicznych problemów.

Numer fabryczny urządzenia: \_\_\_\_\_

Modyfikacja gaźnika, aby urządzenie mogło pracować na dużej wysokości

Na dużej wysokości standardowa mieszanka paliwa z powietrzem będzie za bogata. Wydajność ulega zmniejszeniu a spożycie paliwa ulega zwiększeniu. Również średnio bogata mieszanka będzie powodować zanieczyszczenie świecy i ciężki start. Przedłużona praca na wysokości innej od tej, dla której urządzenie posiada atest może spowodować zwiększenie emisji spalin.

Wydajność na dużej wysokości może być polepszona wprowadzając specjalne zmiany w gaźniku. Jeżeli urządzenie zawsze pracuje na wysokości powyżej 5,000 stóp (1,500 metrów), zaleca się zlecenie wykonania wzmiankowanych wyżej modyfikacji w gaźniku. Urządzenie, po wprowadzeniu zmian do gaźnika w celu polepszenia pracy na dużej wysokości, spełnia standardowe wymagania emisji spalin przez cały okres użytkowania. Jednak nawet po wprowadzeniu zmian do gaźnika, moc urządzenia ulegnie zmniejszeniu o około 3,5% po każdych 1,000-stopach (300-metrach) wzrostu wysokości. Moc ulegnie znacznie większemu zmniejszeniu, jeżeli nie zostaną wprowadzone zmiany do gaźnika.

### UWAGA

Po wprowadzeniu zmian do gaźnika w celu pracy na dużej wysokości, mieszanka paliwa i powietrza będzie zbyt uboga do pracy na niskiej wysokości. Praca na wysokości poniżej 5,000 stóp (1,500 metrów) ze zmodyfikowanym gaźnikiem może spowodować przegrzanie urządzenia i spowodować jego poważne uszkodzenie. Do użytkowania na małej wysokości, należy zlecić usunięcie zmian wprowadzonych do gaźnika i przywrócenie jego pierwotnych właściwości.

### REGULACJA URZĄDZENIA

POZYCJA	SPECYFIKACJA
Odstęp świecy	0.028-0.031 pollici (0.70-0.80 mm)
Przelot zaworu	IN: 0.10 0.02 mm (kalt) EX: 0.15 0.02 mm (kalt)
Otras especificaciones	Nie jest wymagana dalsza regulacja

### INFORMACJA DLA UŻYTKOWNIKA

#### Publikacje

Te publikacje dostarczą dodatkowych informacji odnośnie konserwacji i naprawy urządzenia. Można je zamówić u dealera.

#### Katalog części zamiennych

Katalog dostarcza pełnego, ilustrowanego spisu części zamiennych.

**SZYBKE ODNAJDYWANIE INFORMACJI**

OLEJ W URZĄDZENIU	TYP	ZALECA SIĘ STOSOWANIE SAE 10W-30, API SJ DO OGÓLNEGO UŻYTKU.
	Pojemność	152F: 0,45 L
Świeca	TYP	E5T lub równoważne.
	Pojemność	0.028-0.031 cale (0.70-0.80 mm)
Gaźnik	Prędkość robocza	2200±150 rpm
Konserwacja	Przy każdym użyciu	Sprawdzić olej silnikowy. Sprawdzić filtr powietrza.
	Po pierwszych 20 godzinach	Wymiana oleju silnikowego.
	Później	Skonsultować schemat dotyczący konserwacji

## ROZDZIAŁ 10

### SPECYFIKACJA

MODEL	HYDROBLASTER 2.5 HP
Typ	Pojedynczy cylinder, 4-taktowy silnik, Wymuszony Chłodzony powietrzem, SV
Zainstalowana moc (kW/3600rpm)	1.2
Maks. moment obrotu (Nm/rpm)	4.0 N.m/2500 rpm
Zużycie paliwa (g/kWh)	<435
Prędkość robocza (rpm)	2200 ± 150
Zakres zmiany prędkości	<10 %
Hałas (≤ dB(A))	80 dB(A)
Średnica cylindra/skok tłoka (mm)	52 x 46
Przesunięcie (c3)	97cc
Stopień sprężania	5,6: 1
Tryb smarowania	Spryskiwanie
Tryb uruchomienia	Ręczny start
Obrót	W kierunku przeciwnym do ruchu wskazówek zegara (od strony P.T.O.)
Prześwit świecy (mm)	0.7-0.8mm
Tryb zapłonu	Zapłon magnetyczno-tranzystorowy
Filtr powietrza	Pół-suchy

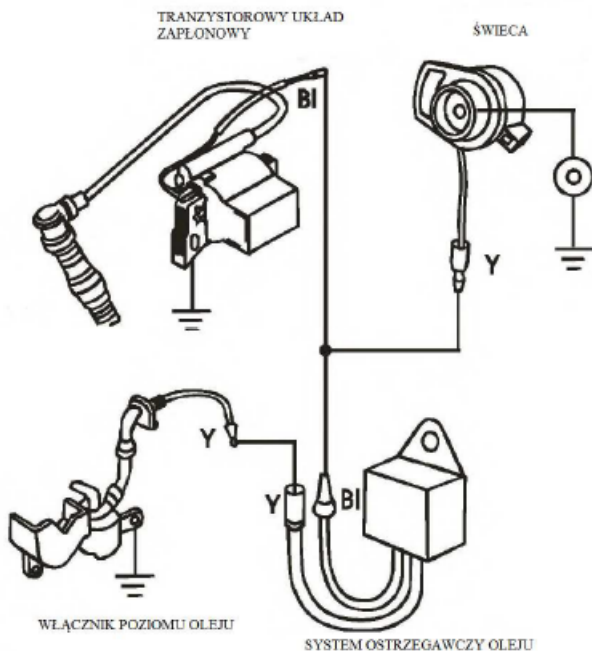
POZYCJA	TYP	HYDROBLASTER 2.5 HP
Pompa	Długość (mm)	340
	Szerokość (mm)	290
	Wysokość (mm)	370
	Ciężar (kg)	13
	Średnica otworu zasysania	1.5 cala (40 mm)
	Średnica otworu spustowego	1.5 cala (40 mm)
	Maks. ssanie (m)	6
	Maks. wysokość podnoszenia (m)	18
	Maks. pojemność ( m <sup>3</sup> /hr)	12

## ROZDZIAŁ 11

### TYP URZĄDZENIA Z UKŁADEM OSTRZEGAWCZYM POZIOMU OLEJU I BEZ ELEKTRYCZNEGO ROZRUCHU

Bl CZARNY

Y ŻÓŁTY





# SUMÁRIO

CAPÍTULO	DESCRIÇÃO	PÁGE
1	INFORMAÇÕES	171
2	COMPONENTES	173
3	CONTROLOS	174
4	ANTES DA OPERAÇÃO	176
5	OPERAÇÃO	177
6	MANUTENÇÃO	181
7	ARMAZENAMENTO/TRANSPORTE	187
8	RESOLUÇÃO DE PROBLEMAS	190
9	INFORMAÇÕES TÉCNICAS E PARA O CONSUMIDOR	190
10	ESPECIFICAÇÕES	192
11	TIPO DE MOTOR COM ALERTA DE ÓLEO E SEM ARRANQUE ELÉCTRICO	193

## CAPÍTULO 1 INFORMAÇÕES

Obrigado por comprar uma bomba d'água. As informações e especificações incluídas nesta publicação estavam em vigor no momento da aprovação para impressão. Nenhuma parte desta publicação pode ser reproduzida sem permissão por escrito. Esse manual deverá ser considerado parte permanente da bomba e deverá permanecer com a bomba, se ela for revendida. As ilustrações neste manual são baseadas em: HYDROBLASTER 2.5HP. A ilustração pode variar de acordo com o tipo. Mantenha este manual do proprietário acessível, para que possa consultá-lo a qualquer momento. Este manual do proprietário é considerado uma parte permanente da bomba d'água e deverá permanecer com a bomba de água se for revendido. Se um problema surgir ou se tiver alguma dúvida sobre a bomba, consulte o seu revendedor autorizado. A sua segurança e a de outros é muito importante. E o uso desta bomba d'água de modo seguro é uma responsabilidade importante. Para ajudar a tomar decisões informadas sobre a segurança, fornecemos procedimentos operacionais e outras informações nas etiquetas e neste manual. Esta informação alerta-o para os perigos potenciais que podem prejudicar você ou os outros. Claro, não é prático ou possível avisá-lo sobre todos os riscos associados à operação ou manutenção de uma bomba d'água. Deverá usar seu bom senso. Encontrará as informações importantes sobre segurança numa variedade de formas, que incluem: Etiquetas de Segurança na bomba. Mensagens de Segurança precedidas por um símbolo de alerta de segurança e uma das três palavras de sinalização, PERIGO, ADVERTÊNCIA ou CUIDADO. Estas palavras de sinalização significam: PODERÁ MORRER ou ficar GRAVEMENTE FERIDO se não seguir as instruções. PODERÁ MORRER ou ficar GRAVEMENTE FERIDO se não seguir as instruções. PODERÁ ficar FERIDO se não seguir as instruções. Sua bomba ou outra propriedade pode ser danificada se não seguir as instruções. Títulos de Segurança, como INFORMAÇÕES IMPORTANTES SOBRE A SEGURANÇA. Secção de Segurança, como SEGURANÇA DA BOMBA. Instruções sobre como usar esta bomba correctamente e em segurança. Todo este livro está repleto de informações de segurança importantes, leia-o com cuidado.

## INFORMAÇÕES IMPORTANTES SOBRE A SEGURANÇA

As bombas foram projectadas para bombear somente água que não destina-se ao consumo humano e outros usos podem causar lesões ao operador ou danificar a bomba e outras propriedades. Faça sempre uma inspecção de pré-operação antes de ligar o motor. Pode-se evitar um acidente ou danos ao equipamento. A maioria dos acidentes pode ser evitada se seguirem-se todas as instruções neste manual e na bomba. Os perigos mais comuns são discutidos abaixo, junto com a melhor forma de proteger a si e os outros.

### RESPONSABILIDADE DO OPERADOR

É responsabilidade do operador fornecer as garantias necessárias para proteger as pessoas e as propriedades. Saber como parar a bomba rapidamente em caso de emergência. Se deixar a bomba por qualquer razão, desligar sempre o motor. Compreender o uso de todos os controlos e ligações.

Assegurar-se de que qualquer pessoa que operar a bomba irá receber as instruções adequadas. Não deixar crianças operarem a bomba. Manter crianças e animais afastados da área de operação. Operação da Bomba

Bombeie somente a água que não destina-se ao consumo humano. O bombeamento de líquidos inflamáveis como gasolina ou óleos combustíveis, pode causar incêndio ou explosão e provocar lesões graves. O bombeamento de água do mar, bebidas, ácidos, soluções químicas ou qualquer outro líquido que promova a corrosão pode danificar a bomba. Reabasteça com cuidado A gasolina é extremamente inflamável e o vapor da gasolina pode explodir. Reabasteça ao ar livre, numa área bem ventilada, com o motor parado e a bomba sobre uma superfície plana. Não encha o tanque de combustível acima do rebordo do filtro de combustível. Nunca fume perto de gasolina e manter outras chamas e faíscas afastadas. Armazene sempre a gasolina num recipiente aprovado. Assegure-se de que qualquer combustível derramado seja limpo antes do arranque do motor.

Depois de reabastecer, assegure-se de que a tampa do tanque está fechada e de forma segura.

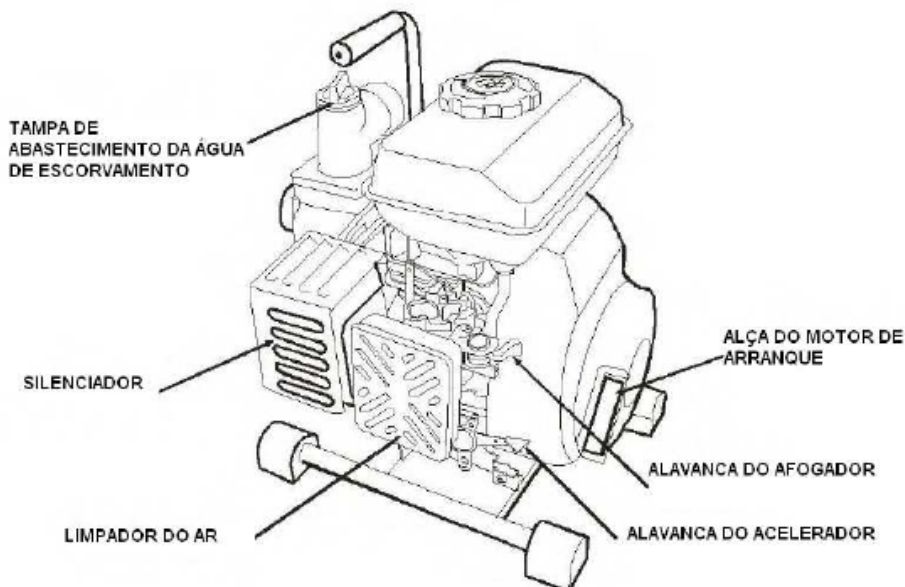
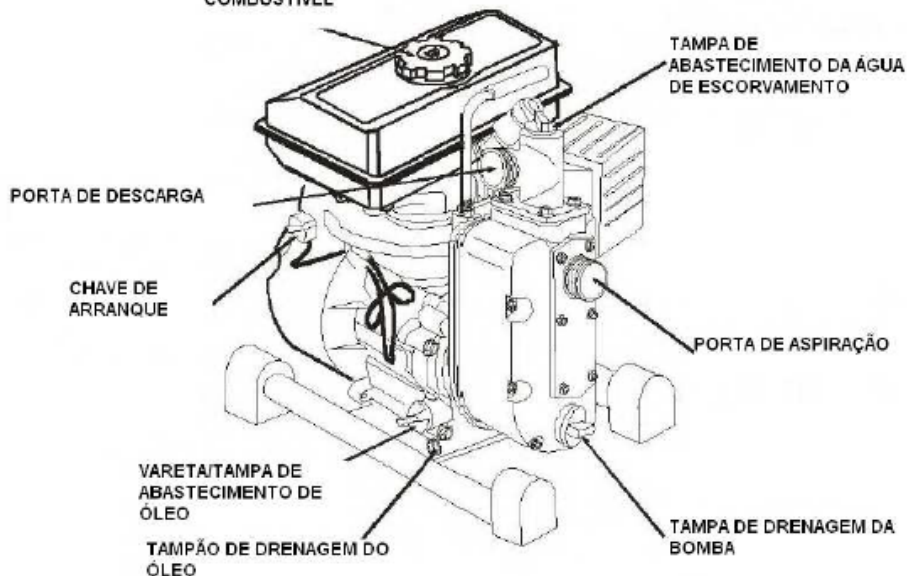
Exaustor quente O silenciador fica muito quente durante a operação e permanece quente por algum tempo após desligar o motor. Tenha cuidado para não tocar o silenciador enquanto estiver quente. Deixe o motor esfriar antes de transportar a bomba ou armazená-la em áreas fechadas. Para evitar riscos de incêndio, mantenha a bomba pelo menos 1 metro (3 pés) de distância dos muros do prédio e outros equipamentos durante a operação. Não coloque objetos inflamáveis próximos ao motor. O monóxido de carbono do gás do exaustor perigoso contém monóxido de carbono venenoso. Evite a inalação do gás do exaustor. Nunca deixe o motor funcionar numa garagem fechada ou área confinada.

## CAPÍTULO 2

### COMPONENTES

#### LOCAIS DE CONTROLO E COMPONENTES

##### BASTECIMENTO DE COMBUSTÍVEL



## CAPÍTULO 3

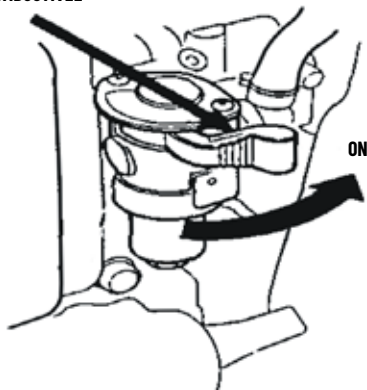
### CONTROLOS

---

#### ALAVANCA DA VÁLVULA DE COMBUSTÍVEL

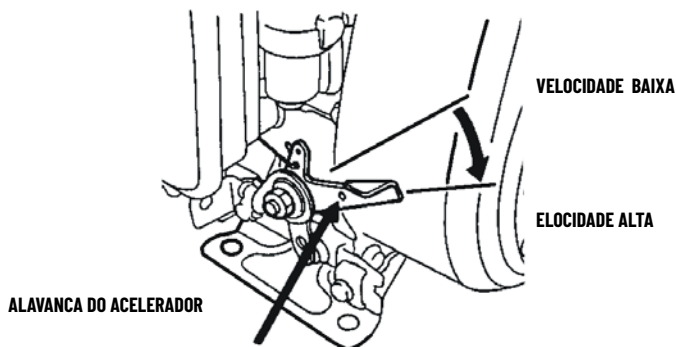
A válvula do combustível abre e fecha a passagem entre o tanque de combustível e o carburador. A alavanca da válvula de combustível deve estar na posição LIGADA para que o motor funcione. Quando o motor não estiver em uso, deixe a alavanca da válvula de combustível na posição DESLIGADA para evitar encharcamento no carburador e para reduzir a possibilidade de perdas de combustível.

#### VÁLVULA DE COMBUSTÍVEL



#### ALAVANCA DO ACELERADOR

A alavanca do acelerador controla a velocidade do motor. Mova a alavanca do acelerador nas direções mostradas para o motor funcionar mais rápido ou mais devagar.



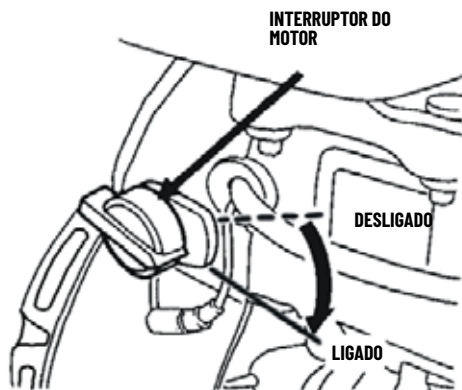
#### INTERRUPTOR DO MOTOR

O interruptor do motor activa e desactiva o sistema de ignição.

O interruptor do motor deve estar na posição LIGADO para que o motor funcione.

Ao girar o motor para a posição DESLIGADO, desliga-se o motor.



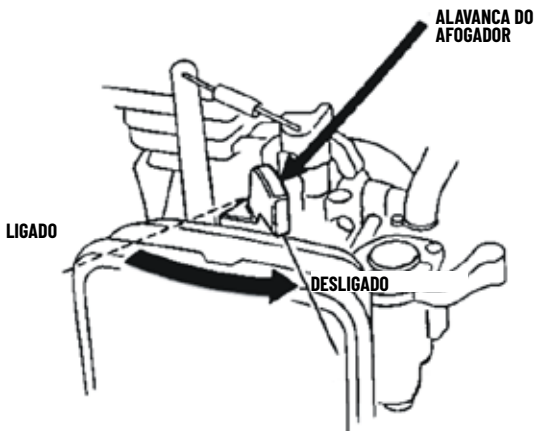


### ALAVANCA DO AFOGADOR

A alavanca do afogador abre e fecha a válvula do afogador no carburador.

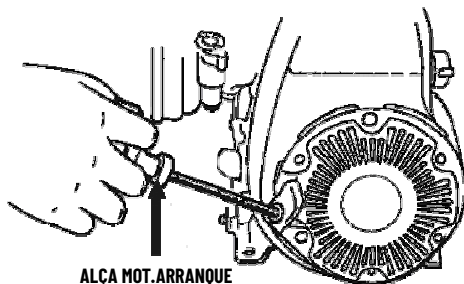
A posição FECHAR enriquece a mistura de combustível para ligar um motor frio.

A posição ABRIR fornece a mistura de combustível correcta para a operação após o arranque e para reiniciar um motor quente. Algumas aplicações do motor usam um controle de afogamento montado remotamente em vez de alavanca de afogamento montado no motor mostrado aqui.



### ALÇA DO MOTOR DE ARRANQUE COM RECUCO

Ao puxar a alça de arranque, opera-se o motor de arranque com recuo para por em marcha o motor.



## CAPÍTULO 4

### ANTES DA OPERAÇÃO

---

#### O SEU MOTOR ESTÁ PRONTO PARA COMEÇAR A FUNCIONAR?

Para sua segurança e para aumentar a vida útil do seu equipamento, é muito importante tirar alguns momentos antes de operar o motor para verificar as suas condições. Assegure-se de cuidar de qualquer problema que encontrar ou leve para o seu revendedor para consertá-lo, antes de operar o motor.



#### ADVERTÊNCIA

Uma manutenção indevida deste motor, ou falhas para corrigir um problema antes da operação pode causar um mau funcionamento do qual você pode ser gravemente ferido. Realizar sempre uma inspeção de pré-operação antes de cada operação e corrigir qualquer problema

Antes de iniciar suas verificações de pré-operações, assegure-se que o motor está nivelado e que o interruptor do motor está na posição DESLIGADA.

#### VERIFICAR AS CONDIÇÕES GERAIS DO MOTOR

Olhe ao redor e embaixo do motor para detectar sinais de perdas de óleo ou gasolina. Remova qualquer excesso de sujeira ou detritos, especialmente em torno do silenciador e do motor de arranque com recuo. Olhe se há sinais de danos. Verifique se todas as blindagens e coberturas estão no lugar e todas as porcas, pinos e parafusos estão apertados.

#### VERIFICAR O MOTOR

Verifique o nível de óleo do motor. Coloque o motor em funcionamento com um nível de óleo baixo pode causar danos ao motor. O Sistema de Alerta do Óleo (tipos de motor aplicáveis) irá parar automaticamente o motor antes que o nível de óleo caia abaixo dos limites de segurança. Entretanto, para evitar a inconveniência de um desligamento inesperado, sempre verifique o nível do óleo do motor antes do arranque.

Verifique o filtro de ar. Um filtro de ar sujo restringirá o débito do ar para o carburador, reduzindo o desempenho do motor.

Verifique o nível de combustível. O arranque com um tanque cheio ajudará a eliminar ou reduzir as interrupções da operação para reabastecimento.

#### VERIFICAR O EQUIPAMENTO ALIMENTADO POR ESTE MOTOR

Reveja as instruções fornecidas com o equipamento alimentado por este motor para alguma precaução e procedimento que deverão ser seguidos antes do arranque do motor.

## CAPÍTULO 5

### OPERAÇÃO

#### PRECAUÇÕES OPERACIONAIS DE SEGURANÇA

Antes de operar o motor pela primeira vez, por favor, leia as INFORMAÇÕES IMPORTANTES SOBRE SEGURANÇA e o capítulo intitulado ANTES DA OPERAÇÃO.



#### ADVERTÊNCIA

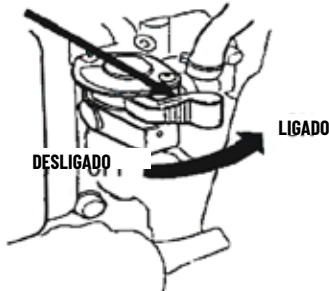
O gás monóxido de carbono é tóxico. Respirá-lo pode causar inconsciência e até mesmo matá-lo. Evite quaisquer áreas ou ações que o exponha ao monóxido de carbono.

Reveja as instruções fornecidas com o equipamento alimentado por este motor para quaisquer precauções de segurança que devem ser observadas em conjunto com o arranque do motor, desligamento ou operação.

#### ARRANQUE DO MOTOR

1. Mova a alavanca da válvula de combustível para a posição LIGADA.

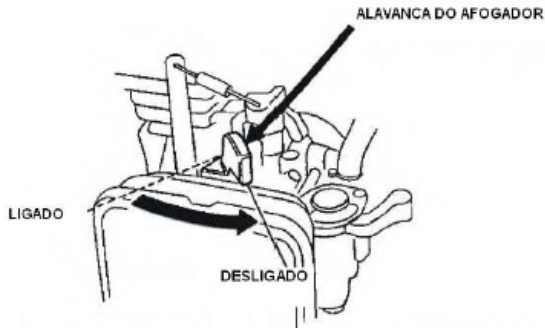
#### VÁLVULA DE COMBUSTÍVEL



2. Para o arranque de um motor frio, mova a alavanca do afogador para a posição FECHAR.

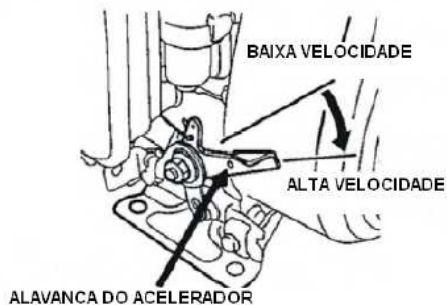
Para reiniciar um motor quente, deixe a alavanca do afogador na posição ABRIR.

Algumas aplicações de motor usam um controle de afogador montado remotamente em vez de uma alavanca de afogador montada no motor aqui mostrado.

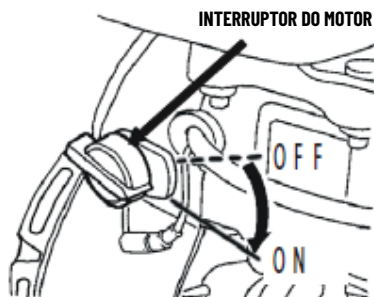


3. Mova a alavanca do acelerador da posição LENTA, cerca de 1/3 do caminho para a posição RÁPIDA.

Algumas aplicações de motor usam um controle de acelerador montado remotamente em vez de alavanca de acelerador montado no motor mostrado aqui.



4. Rode o interruptor do motor para a posição LIGADO

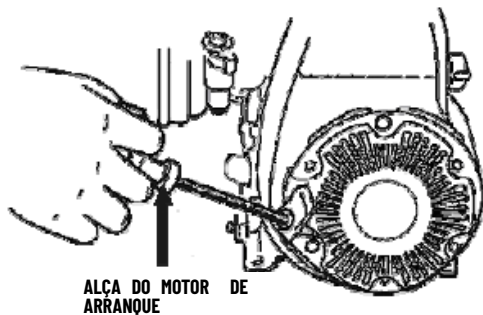


5. Operar o motor de arranque.

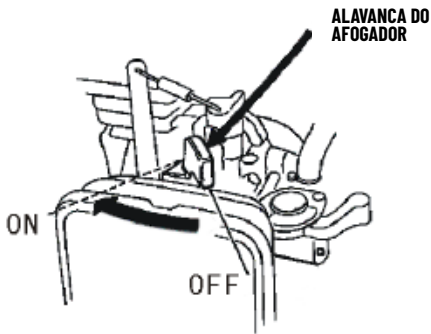
**MOTOR DE ARRANQUE COM RECUO** (todos os tipos de motor):

Puxe a alça de partida levemente até sentir resistência e em seguida puxe rapidamente.

Retorne a alça do motor de arranque suavemente.



6. Se a alavanca do afogador foi movida para a posição FECHADA para o arranque do motor, movê-la gradualmente para a posição ABERTA, quando o motor aquece.

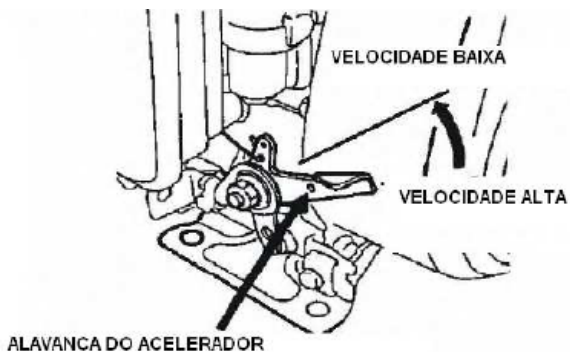


#### PARAGEM DO MOTOR

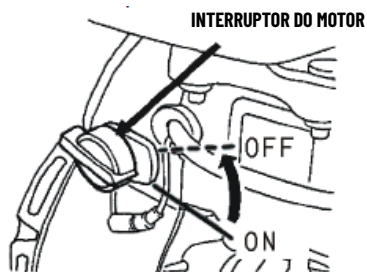
Para parar o motor em uma emergência, basta rodar o interruptor para a posição DESLIGADO. Sob condições normais, use o seguinte procedimento.

1. Mova a alavanca do acelerador para a posição LENTA.

Algumas aplicações de motor usam um controle do acelerador montado remotamente em vez de uma alavanca do acelerador montada no motor aqui mostrado.

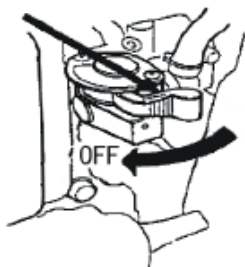


2. Rode o interruptor do motor para a posição DESLIGADA.



3. Rode a alavanca da válvula de combustível para a posição DESLIGADA

#### VÁLVULA DE COMBUSTÍVEL

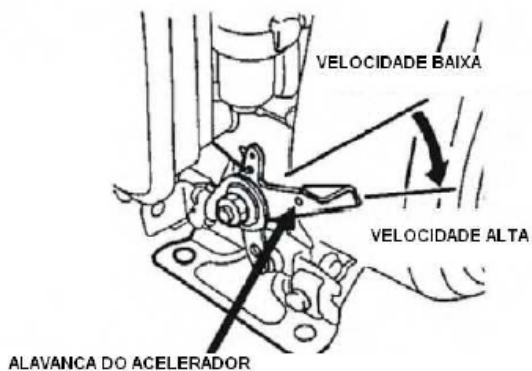


#### DEFINIÇÃO DA VELOCIDADE DO MOTOR

Posicione a alavanca do acelerador para a velocidade do motor desejada.

Algumas aplicações de motor usam um controle do acelerador montado remotamente em vez da alavanca de acelerador montado no motor aqui mostrado.

Para recomendações de velocidade do motor, consulte as instruções fornecidas com o equipamento alimentado por este motor.



# CAPÍTULO 6

## MANUTENÇÃO

---

### IMPORTÂNCIA DA MANUTENÇÃO

Uma boa manutenção é essencial para uma operação segura, econômica e sem problemas. Ela também ajudará a reduzir a poluição do ar.



#### ADVERTÊNCIAS

Uma manutenção inadequada deste motor ou falha ao corrigir um problema antes da operação pode causar um mau funcionamento em que pode-se ficar seriamente ferido ou morto. Siga sempre as recomendações de inspeção e manutenção e as programações neste manual do proprietário.

Para ajudá-lo a cuidar adequadamente de seu motor, as páginas seguintes incluem uma programação de manutenção, procedimentos de inspeção e procedimentos de manutenção simples com o uso de ferramentas manuais básicas. Outras tarefas de serviço que são mais difíceis, ou que precisam de ferramentas especiais são melhor tratadas por profissionais e são normalmente realizadas por técnicos ou outro mecânico qualificado. A programação de manutenção aplica-se em condições de operação normais. Se você opera seu motor em condições incomuns, como operações de sobrecarga sustentada ou alta temperatura, ou usa o mesmo em condições excepcionalmente húmidas ou com poeira, consulte seu revendedor para recomendações aplicáveis às suas necessidades individuais e de uso.

### SEGURANÇA DE MANUTENÇÃO

Algumas das precauções de segurança mais importantes são as seguintes: Apesar de não podermos avisá-lo de todo os perigos possíveis que podem surgir na realização da manutenção, só você pode decidir se deve ou não executar uma determinada tarefa.



#### ADVERTÊNCIAS

Falhas ao seguir correctamente as instruções de manutenção e precauções podem causar sérias lesões ou a morte. Sempre seguir os procedimentos e precauções no manual do proprietário.

### PRECAUÇÕES DE SEGURANÇA

Assegure-se de que o motor está desligado antes de iniciar qualquer manutenção ou reparo. Isto eliminará vários riscos potenciais:

- Envenenamento por monóxido de carbono do escapamento do motor. Assegure-se de que há uma ventilação adequada sempre que operar o motor.
- Queimaduras com as partes quentes. Deixe o motor e o sistema de escapamento esfriar antes de tocar.
- Lesões de partes em movimento. Não deixe o motor em funcionamento a menos se for instruído a fazê-lo.

Leia as instruções antes de começar e verifique se tem as ferramentas e habilidades necessárias. Para reduzir a possibilidade de incêndio ou explosão, tenha cuidado ao trabalhar em torno da gasolina. Use somente um solvente não inflamável, não gasolina, para limpar as partes. Mantenha cigarros, faíscas e chamas longe de todas as partes relacionadas com o combustível. Lembre que o seu revendedor conhece o seu motor melhor e está totalmente equipado para manter e repará-lo. Para garantir a melhor qualidade e confiabilidade, use somente peças novas e originais ou suas equivalente, para o reparo e substituição.

## PROGRAMAÇÃO DE MANUTENÇÃO

PERÍODO DE SERVIÇO REGULAR Realizado a cada mês indicado ou intervalo de hora operacional, o que ocorrer primeiro.	Cada uso	Primeiro mês ou 20 horas	Cada 3 meses ou 50 horas	Cada 6 meses ou 100 horas	Cada ano ou 300 horas
ITEM					
• Óleo do motor	Nível de verificação	0			
	Mudar		0	0	
• Limpador do ar	Verificar	0			
	Limpar		0 (1)		
	Substituir				
• Taça de sedimento	Limpar			0	
• Vela de ignição	Kontrola-Czyszczenie			0	
	Substituir				0*
• Descarregador de faísca (partes opcionais)	Limpar			0	
• Velocidade de marcha lenta	Verificar-Ajustar				0 (2)
• Limpeza da válvula	Verificar-Ajustar				0 (2)
• Tanque de combustível e filtro	Limpar				0 (2)
• Câmara do combustível	Limpar		Po upływie każdych 300 godz. (2)		
• Linha do combustível	Verificar		Co 2 lata (wymienić, jeżeli konieczne)(2)		

• Itens relacionados à emissão

\* Substituir somente o tipo de elemento do papel.

(1) Serviço com mais frequência quando usado em áreas empoeiradas.

(2) Estes itens devem ser assistidos pelo seu revendedor, a menos que tenha as ferramentas adequadas e seja mecanicamente proficiente. Consultar o manual para procedimentos de serviço.

## REABASTECIMENTO

Capacidade do tanque de combustível

.47 US qt (1.4L)

Com o motor parado, remova a cobertura do tanque de combustível e verifique o nível do combustível.

Reabasteça o tanque se o nível do combustível estiver baixo.

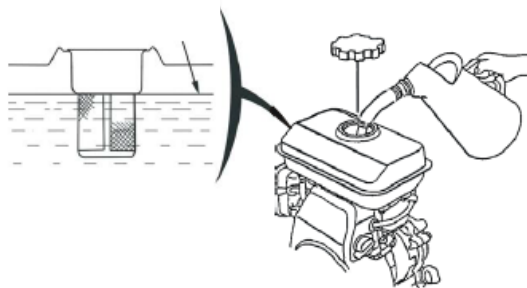


## ADVERTÊNCIAS

A gasolina é altamente inflamável e explosiva. Pode se queimar ou ficar gravemente ferida ao manusear o combustível. Desligue o motor e mantenha o calor, as faíscas e as chamas afastadas. Manuseie o combustível só ao ar livre. Limpe os respingos imediatamente.



Nível máximo de combustível



Abasteça numa área bem ventilada antes de ligar o motor. Se o motor estiver em funcionamento, deixá-lo esfriar. Reabasteça com cuidado para evitar derramamento de combustível. Não encha acima do ressalto do filtro de combustível. Após reabastecer, aperte a tampa do tanque de combustível de forma segura. Nunca reabasteça o motor dentro de uma construção onde os vapores de gasolina podem alcançar chamas ou faíscas. Mantenha a gasolina longe de luzes piloto de aparelhos, churrascos, eletrodomésticos, ferramentas eléctricas, etc. Combustível derramado não é apenas um risco de incêndio, ele provoca danos ambientais. Limpe os respingos imediatamente.

#### **AVISO**

O combustível pode danificar a pintura e o plástico. Tenha cuidado para não derrubar combustível ao encher seu tanque de combustível. Os danos causados pelo combustível derramado não são cobertos pela garantia.

#### **RECOMENDAÇÕES PARA O COMBUSTÍVEL**

##### **Use gasolina sem chumbo com um índice de octanos na bomba de 86 ou maior.**

Estes motores são certificados para operar com gasolina sem chumbo. A gasolina sem chumbo produz menos depósitos na vela e no motor e prolonga a vida útil do sistema de escapamento. Nunca use gasolina velha ou contaminada ou uma mistura de óleo/gasolina. Evite a entrada de sujeira ou água no tanque de combustível. Ocasionalmente, pode-se ouvir uma luz de "detonação de faísca" ou "ping" (ruído de batida metálica) ao operar sob cargas pesadas. Isto não é motivo de preocupação. Se a detonação de faísca ou ping ocorrer a uma velocidade de motor constante, sob carga normal, altere as marcas de gasolina. Se a detonação de faísca ou ping persistir, consulte um revendedor de serviço autorizado.

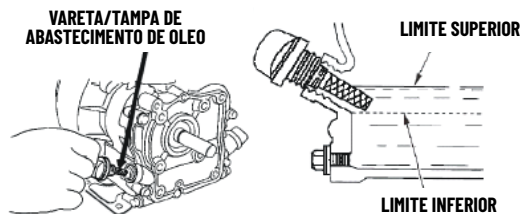
#### **AVISO**

O funcionamento do motor com detonação de faísca ou ping persistente pode causar dano ao motor. O funcionamento do motor com detonação de faíscas ou ping persistente é considerado de mau uso e a Garantia Limitada pelo Distribuidor não cobre partes danificadas por mau uso.

#### **VERIFICAÇÃO DO NÍVEL DE ÓLEO DO MOTOR**

Verifique o nível do óleo do motor com o motor parado e em uma posição nivelada.

1. Remova a tampa de abastecimento/vareta e limpe-a.



2. Insira e remova a vareta sem rosqueá-la no gargalo de abastecimento. Verifique o nível de óleo mostrado na vareta.
3. Se o nível de óleo é baixo, encha até a borda do furo de enchimento de óleo com o óleo recomendado.
4. Aparafuse a tampa do enchimento/vareta de forma segura.

### AVISO

Colocar o motor em funcionamento com um nível de óleo baixo pode causar dano ao motor.

O Sistema de Alerta do Óleo (tipos de motores aplicáveis) irá parar automaticamente o motor antes do nível de óleo cair abaixo do limite de segurança. Deste modo, para evitar a inconveniência de um desligamento inesperado, verifique sempre o nível do óleo do motor antes do arranque.

### TROCA DO ÓLEO DO MOTOR

Drene o óleo usado enquanto o motor está quente. Óleo quente drena rápida e completamente.

1. Coloque um recipiente adequado por baixo do motor para recolher o óleo usado e, em seguida, remova a tampa de abastecimento/vareta e o plugue de drenagem.
2. Evite que o óleo usado drene completamente e, em seguida, reinstale o plugue de drenagem e aperte-o bem. Elimine o óleo usado do motor de uma maneira que seja compatível com o ambiente. Sugerimos que leve o óleo usado em um recipiente lacrado ao centro de reciclagem local ou estação de serviço para recuperação. Não jogue no lixo, não derrame-o ao chão ou pelo ralo.
3. Com o motor em uma posição nivelada, encha até a borda exterior do furo de abastecimento de óleo com o óleo recomendado. Capacidades do óleo do motor:

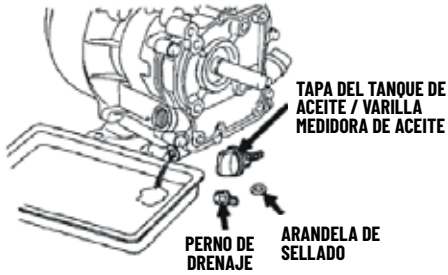
0.48 US qt (0, 45 l)

Colocar o motor em funcionamento com um nível de óleo baixo pode causar dano ao motor.

O Sistema de Alerta do Óleo (tipos de motor aplicáveis) irá parar automaticamente o motor antes do nível de óleo cair abaixo do limite de segurança.

Deste modo, para evitar a inconveniência de um desligamento inesperado, encha até o limite superior e verifique o nível do óleo regularmente.

4. Aparafuse a tampa do enchimento/vareta de forma segura.



### SERVIÇOS DE MANUTENÇÃO DO SEU MOTOR

#### RECOMENDAÇÕES PARA O ÓLEO DO MOTOR

O óleo é um factor importante que afecta o desempenho e a vida útil de serviço. Use óleo detergente automotivo de 4 tempos.

SAE 10W-30 é recomendado para uso geral. Outras viscosidades mostradas no gráfico podem ser usadas quando a temperatura média em sua área está dentro do intervalo recomendado.

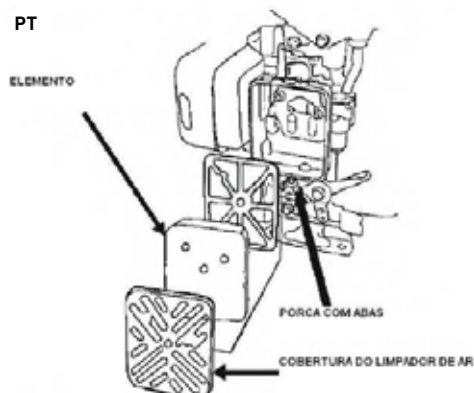


A viscosidade do óleo SAE e classificação do serviço estão no rótulo API sobre o recipiente do óleo. Recomendamos que use o SERVIÇO API de óleo de Categoria SE ou SF.

#### INSPECÇÃO DO FILTRO DE AR

Remova a tampa do limpador de ar e inspecionar o filtro. Limpe ou substitua os elementos sujos do filtro. Substitua sempre os elementos danificados do filtro. Se equipado com um limpador de ar em banho de óleo, verifique também o nível do óleo.

PT



### SERVIÇO DO LIMPADOR DE AR

Um filtro de ar sujo restringirá o fluxo de ar para o carburador, reduzindo o desempenho do motor. Se operar o motor em áreas com muito pó, limpe o filtro de ar com mais frequência do que o especificado na PROGRAMAÇÃO DE MANUTENÇÃO.

### AVISO

A operação do motor sem um filtro de ar, ou com um filtro de ar danificado, permitirá a entrada de sujeira no motor, causando o desgaste rápido do motor. Este tipo de dano não é coberto pela Garantia Limitada do Distribuidor.

### SERVIÇOS NA VELA DE IGNIÇÃO

Velas de ignição recomendadas: E5T ou outras equivalentes.

### AVISO

Uma vela de ignição incorrecta pode causar dano ao motor.

1. Desconecte a tampa da vela de ignição e remova qualquer sujeira ao redor da área da vela de ignição.
2. Remova a vela de ignição com uma chave para velas de ignição.



3. Inspeccione a vela de ignição. Substitua os eletrodos que estão desgastados ou se o isolador estiver rachado ou quebrado.
4. Meça a distância do eletrodo da vela de ignição com um calibre adequado. A folga deve ser 0,028 - 0,031 pol (0,70 - 0,80 mm). Corrija a folga, se necessário, tomando cuidado ao dobrar o electrodo lateral.
5. Instale a vela de ignição cuidadosamente, com as mãos, para evitar fios cruzados.
6. Depois de apoiar as velas de ignição, aperte com uma chave para velas de ignição para comprimir a água. Se reinstalar a vela de ignição usada, aperte 1/8 - 1/4 vezes depois de apoiar as velas. Se reinstalar uma vela de ignição nova, aperte 1/2 vez depois de apoiar as velas.

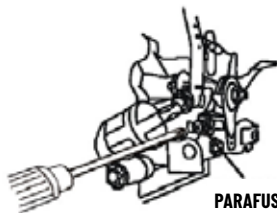
**AVISO**

Uma vela de ignição solta pode superaquecer e danificar o motor.  
Apertar demais a vela de ignição pode danificar as roscas no cabeçote do cilindro.

7. Fixe a tampa da vela de ignição.

**AJUSTE DA VELOCIDADE DE MARCHA RALENTI**

1. Dê o arranque no motor ao ar livre e deixe ele aquecer à temperatura operacional.
  2. Mova a alavanca do acelerador para a posição mais lenta.
  3. Rode o parafuso de paragem do acelerador para obter a velocidade de marcha ralenti standard.
- Velocidade de marcha ralenti standard:  $2,200 \pm 150$  rpm



**PARAFUSO DE PARAGEM DO ACELERADOR**

## CAPÍTULO 7

### ARMAZENAMENTO/TRANSPORTE

---

**ARMAZENAMENTO DO SEU MOTOR****PREPARAÇÃO DO ARMAZENAMENTO**

Uma preparação de armazenamento adequado é essencial para manter o seu motor livre de problemas e com boa aparência. As etapas seguintes ajudarão a evitar a ferrugem e a corrosão prejudicando o funcionamento e a aparência do motor e tornarão o arranque do motor mais fácil após o armazenamento.

**LIMPEZA**

Se o motor estiver a funcionar, deixe-o arrefecer por ao menos meia hora antes da limpeza. Limpe todas as superfícies externas, retoque a tinta danificada e revista outras áreas que podem enferrujar com uma fina camada de óleo.

**AVISO**

Com uma mangueira de jardim ou equipamentos de lavagem de pressão, force a água para dentro do limpador de ar ou a abertura do silenciador. Água no filtro de ar irá embeber o filtro de ar e a água que passa pelo filtro de ar ou silenciador pode entrar no cilindro, causando dano. Água em contacto com o motor quente pode causar dano. Se o motor estiver a funcionar, deixe-o arrefecer por ao menos meia hora antes da lavagem.

## COMBUSTÍVEL

A gasolina oxidará e deteriorará no armazenamento. A gasolina antiga causará uma partida difícil e deixará depósitos de cola que obstruem o sistema de combustível. Se a gasolina em seu motor deteriorar durante o armazenamento, poderá precisar reparar ou substituir o carburador e outros componentes do sistema de combustível.

A duração de tempo que a gasolina pode ser deixada no tanque de combustível e carburador sem causar problemas funcionais irá variar com estes factores, como a mistura de gasolina, as temperaturas de armazenamento e se o tanque de combustível está parcial ou completamente cheio. O ar em um tanque de combustível parcialmente cheio promove a deterioração de combustível. Temperaturas/armazenamento muito quentes irão acelerar a deterioração do combustível. Problemas de deterioração do combustível podem ocorrer dentro de alguns meses, ou até menos, se a gasolina não for fresca ao encher o tanque de combustível. A Garantia Limitada do Distribuidor não cobre dano no sistema de combustível ou problemas de desempenho no motor resultante da preparação no armazenamento negligenciado. Poderá prolongar a vida útil do armazenamento do combustível com a adição de um estabilizador de combustível que é formulado para este fim, ou poderá evitar problemas de deterioração de combustível drenando o tanque de combustível e o carburador.

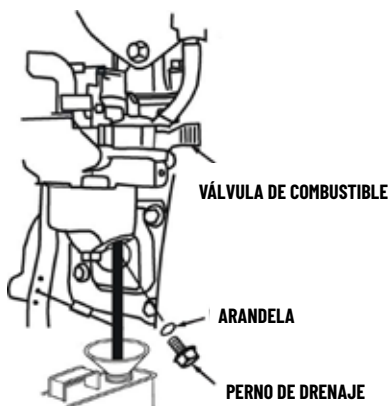
### ADIÇÃO DE UM ESTABILIZADOR DE COMBUSTÍVEL PARA PROLONGAR A VIDA ÚTIL DE ARMAZENAMENTO DO COMBUSTÍVEL

Ao adicionar um estabilizador de combustível, encha o tanque de combustível com gasolina nova. Se somente parcialmente cheio, o ar no tanque promoverá a deterioração do combustível durante o armazenamento. Se mantiver um recipiente de gasolina para reabastecer, certifique-se de que ele contém somente gasolina nova.

1. Adicione um estabilizador de combustível seguindo as instruções do fabricante.
2. Depois de adicionar um estabilizador de combustível, ligue o motor ao ar livre por 10 minutos para se certificar de que a gasolina tratada substituiu a gasolina não tratada no carburador.
3. Desligue o motor e mova a válvula de combustível para a posição DESLIGADO.

### DRENAGEM DO TANQUE DE COMBUSTÍVEL E CARBURADOR

1. Coloque um recipiente de gasolina aprovado abaixo do carburador e use um funil para evitar derramamento de combustível.
2. Remova o parafuso de drenagem do carburador e o copo de sedimento e, em seguida, mova a alavanca da válvula de combustível para a posição LIGADA.



3. Depois que todo o combustível for drenado do recipiente, reinstale o parafuso de drenagem e o copo de sedimentos. Aperte-o de forma segura.

### **PRECAUÇÕES DE ARMAZENAMENTO**

1. Troque o óleo do motor.
2. Remova as velas de ignição.
3. Derrame uma colher de sopa (5-10 cc) de óleo de motor limpo no cilindro.
4. Puxe o cabo do motor de partida várias vezes para distribuir o óleo no cilindro.
5. Reinstale as velas de ignição.
6. Puxe a corda do motor de partida lentamente até sentir resistência. Isto fechará as válvulas para que a humidade não entre no cilindro do motor. Retorne a corda do motor de partida levemente. Se seu motor for armazenado com gasolina no tanque de combustível e carburador, é importante reduzir o perigo de ignição do vapor de gasolina. Selecione uma área de armazenamento bem ventilada e longe de qualquer aparelho que opere com chamas, como um forno, aquecedor de água ou secadora de roupa. Além disso, evite qualquer área com um motor eléctrico de produção de ignição, ou onde ferramentas eléctricas são operadas. Se possível, evite áreas de armazenamento com alta humidade, pois isso cria ferrugem e corrosão. A menos que todo o combustível seja drenado a partir do tanque de combustível, deixe a alavanca da válvula de combustível na posição DESLIGADA para reduzir a possibilidade de vazamento de combustível. Posicione o equipamento assim que o motor estiver nivelado. A inclinação pode causar vazamento de combustível ou óleo. Com o motor e sistema de escape frios, cubra o motor para deixar a poeira afastada. Um motor e sistema de escape quentes podem inflamar ou derreter alguns materiais. Não use folhas plásticas como cobertura de pó. Uma cobertura não porosa prenderá a humidade em torno do motor, promovendo a ferrugem e a corrosão. Se equipado com uma bateria para uma partida eléctrica, recarregue a bateria uma vez por mês enquanto o motor estiver no armazenamento. Isto ajudará a prolongar a vida útil da bateria.

### **REMOÇÃO DO ARMAZENAMENTO**

Verifique seu motor como descrito no capítulo VERIFICAÇÃO ANTES DA OPERAÇÃO. Se o combustível foi drenado durante a preparação de armazenamento, encha o tanque com gasolina nova. Se você mantém um recipiente de gasolina para reabastecer, assegure-se de que ele contém somente gasolina nova. A gasolina oxida e deteriora com o tempo, causando partida rígida. Se os cilindros são revestidos com óleo durante a preparação de armazenamento, o motor pode soltar fumaça brevemente na partida. Isso é normal.

### **TRANSPORTE**

Se o motor estiver a funcionar, deixe-o arrefecer por ao menos 15 minutos antes de carregar o equipamento movido a motor no veículo de transporte. Um motor e sistema de escape quentes podem queimá-lo e poderão inflamar alguns materiais. Mantenha o nível do motor durante o transporte para reduzir a possibilidade de vazamento de combustível. Mova a alavanca da válvula de combustível para a posição DESLIGADA.

## CAPÍTULO 8

### RESOLUÇÃO DE PROBLEMAS

MOTOR NÃO LIGA	POSSÍVEL CAUSA	REMÉDIO
Arranque eléctrico: verifique a bateria	Bateria descarregada.	Recarregue a bateria.
Verifique as posições de controlo	Válvula de combustível DESLIGADA.	Mova a alavanca para LIGADA.
	Afogador ABERTO.	Mova a alavanca para FECHADO, a menos que o motor esteja quente.
	Interruptor do motor DESLIGADO.	Rode o interruptor do motor para LIGADO.
Verifique o combustível.	Sem combustível.	Reabastecer
	Combustível ruim, motor armazenado sem tratamento ou drenagem da gasolina, ou reabastecido com gasolina ruim.	Drene o tanque de combustível e carburador. Reabasteça com gasolina nova.
Remova e inspecione as velas de ignição.	Velas de ignição com defeito, em falta ou indevidamente abertas.	Abriu ou substituir as velas de ignição.
	Velas de ignição molhadas com combustível (motor afogado).	Seque e reinstale as velas de ignição. Ligue o motor com a alavanca do acelerador na posição RÁPIDA.
Leve o motor a um revendedor de manutenção autorizado ou consulte o manual	Filtro de combustível obstruído, mau funcionamento do carburador, mau funcionamento da ignição, válvula presa, etc.	Substitua ou repare os componentes com defeito, se necessário.

MOTOR COM PERDA DE POTÊNCIA	POSSÍVEL CAUSA	REMÉDIO
Verifique o filtro de ar	Elemento(s) do filtro obstruído(s).	Limpe ou substitua o(s) elemento(s) do filtro.
Verifique o combustível.	Sem combustível.	Reabastecer
	Combustível ruim, motor armazenado sem tratamento ou drenagem da gasolina, ou reabastecido com gasolina ruim	Drene o tanque de combustível e carburador. Reabasteça com gasolina nova.
Leve o motor a um revendedor de manutenção autorizado ou consulte o manual.	Filtro de combustível entupido, mau funcionamento do carburador, mau funcionamento da ignição, válvula presa, etc.	Substitua ou repare os componentes com defeito, se necessário.

## CAPÍTULO 9

### INFORMAÇÕES TÉCNICAS E PARA O CONSUMIDOR

#### INFORMAÇÕES TÉCNICAS

Local do Número de Série



NÚMERO DE  
SERIE DEL TIPO



Registe o número de série do motor no espaço abaixo. Irá precisar deste número de série ao solicitar partes e ao fazer perguntas técnicas ou de garantia.

Número de série do motor: \_\_\_\_\_

#### Modificação do carburador para Operação de Alta Altitude

Em alta altitude, a mistura ar-combustível do carburador padrão será muito rica. O desempenho diminuirá e o consumo de combustível aumentará. Uma mistura muito rica também sujará a vela de ignição e provocará um arranque difícil. Operações em uma altitude que difere daquela na qual este motor foi certificado, por longos períodos de tempo, podem aumentar as emissões.

O desempenho em alta altitude pode ser melhorado por modificações específicas do carburador. Se sempre opera seu motor em altitudes superiores a 5.000 pés (1.500 metros), deixe o seu revendedor realizar esta modificação no carburador. Este motor, quando operado em altitudes elevadas com as modificações do carburador para uso em alta altitude, observará cada norma de emissão ao longo da sua vida útil.

Mesmo com a modificação do carburador, a potência do motor diminuirá cerca de 3,5% para cada aumento de 1.000 pés (300 metros) de altitude. O efeito da altitude na potência será maior do que esta se nenhuma modificação do carburador é feita.

### AVISO

Quando o carburador foi modificado para a operação de alta altitude, a mistura de ar-combustível será muito magra para uso em baixa altitude. A operação em altitudes abaixo de 5.000 pés (1.500 metros) com um carburador modificado pode causar o superaquecimento do motor e resultar em sérios danos ao motor. Para uso em baixas altitudes, peça ao representante de assistência técnica para que recoloca o carburador nas especificações originais de fábrica.

### AJUSTE DO MOTOR

ITEM	ESPECIFICAÇÃO
Abertura da vela de ignição	0,028-0,031 pol (0,70-0,80 mm)
Limpeza da válvula	INT: 0.10±0,02 mm (frio) EXT: 0.15±0,02 mm (frio)
Outras especificações	Sem outros ajustes necessários

### INFORMAÇÕES DO CLIENTE

#### Publicações

Estas publicações darão informações adicionais para manutenção e reparo de seu motor. Poderá encomendar no seu revendedor de motores.

#### Catálogo de Partes

Este manual fornece listas de partes completas, ilustradas.

**INFORMAÇÕES DE REFERÊNCIA RÁPIDA**

ÓLEO DO MOTOR	TIPO	SAE 10W-30,API SJ, PARA USO GERAL
	Capacidade	0,45 l
Vela de ignição	TIPO	E5T ou outras equivalentes.
	Folga	0.028-0.031 cale (0.70-0.80 mm)
Carburador	Velocidade de marcha ralenti	2200±150 rpm
Manutenção	Cada uso	Verifique o óleo do motor. Verifique o filtro de ar.
	Primeiras 20 horas	Troque o óleo do motor.
	Subsequente	Consulte a manutenção

## CAPÍTULO 10

### ESPECIFICAÇÕES

MODELO	HYDROBLASTER 2.5 HP
Tipo	Cilindro simples, 4-tempos, forçado Refrigeração de ar, SV
Potência nominal (kW/3600rpm)	1.2
Binário máx. (Nm/rpm)	4.0 N.m/2500 rpm
Consumo de combustível(g/kWh)	<435
Velocidade da marcha ralenti (rpm)	2200 ± 150
Relação de flutuação da velocidade	<10 %
Ruído (≤ dB(A))	80 dB(A)
Diâmetro x Curso (mm)	52 x 46
Deslocamento (cc)	97cc
Taxa de compressão	5,6: 1
Modo de lubrificação	Esguicho
Modo de partida	Início de recuo
Rotação	Sentido contrário aos ponteiros do relógio (do lado P.T.O.)
Limpeza da vela de ignição (mm)	0.7-0.8mm
Modo de ignição	Ignição do ímã transistorizado
Limpador de ar	Semi-seco

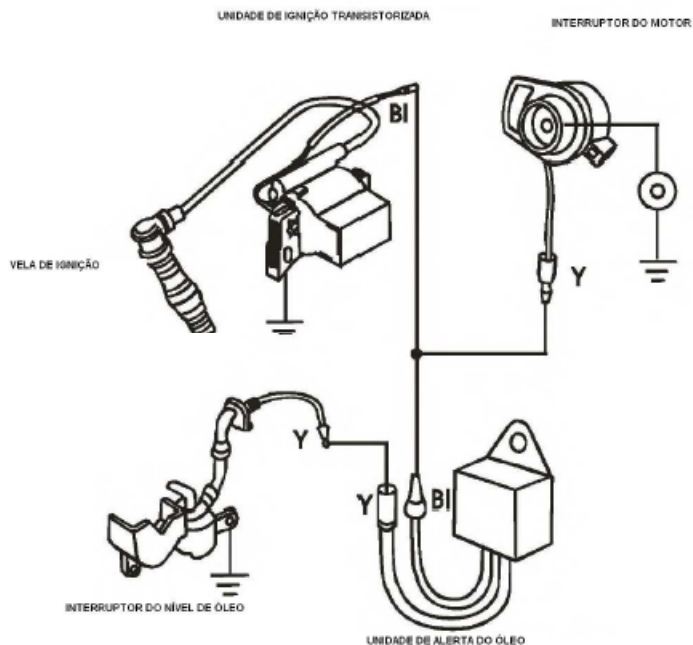
ITEM	TIPO	HYDROBLASTER 2.5 HP
Bomba	Comprimento (mm)	340
	Largura (mm)	290
	Altura (mm)	370
	Peso (Kg)	13
	Diâmetro da porta de aspiração	1.5 pol (40 mm)
	Diâmetro da porta de descarga	1.5 pol (40 mm)
	Aspiração máx. (m)	6
	Cabeçote máx. (m)	21
	Capacidade máx. ( m <sup>3</sup> /hr)	12

## CAPÍTULO 11

### TIPO DE MOTOR COM ALERTA DE ÓLEO E SEM ARRANQUE ELÉCTRICO

BI PRETO

Y AMARELO









**PENTAIR WATER ITALY S.R.L**

**VIA MASACCIO 13 | 56010 LUGNANO DI VICOPISANO | PISA - ITALIA**

All Pentair trademarks and logos are owned by Pentair, inc. All other brand or product names are trademarks or registered marks of their respective owners.

Because we are continuously improving our products and services, Pentair reserves the right to change specifications without prior notice.

Pentair is an equal opportunity employer.

Rev.1 07/2018 © 2018 Pentair, Inc. All Rights Reserved.